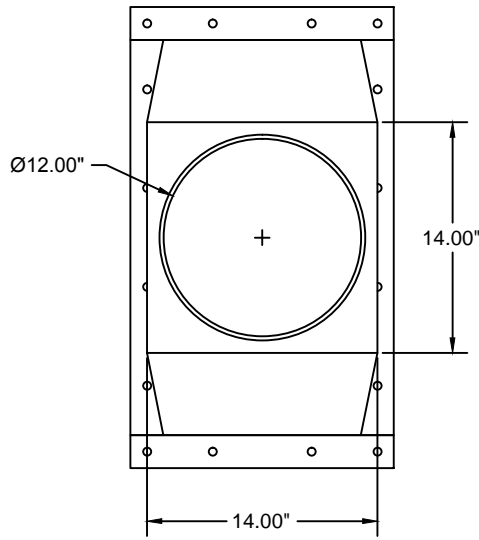
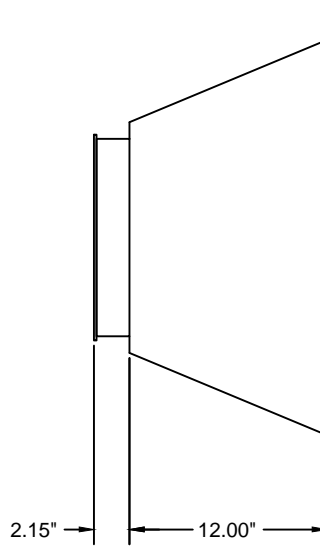


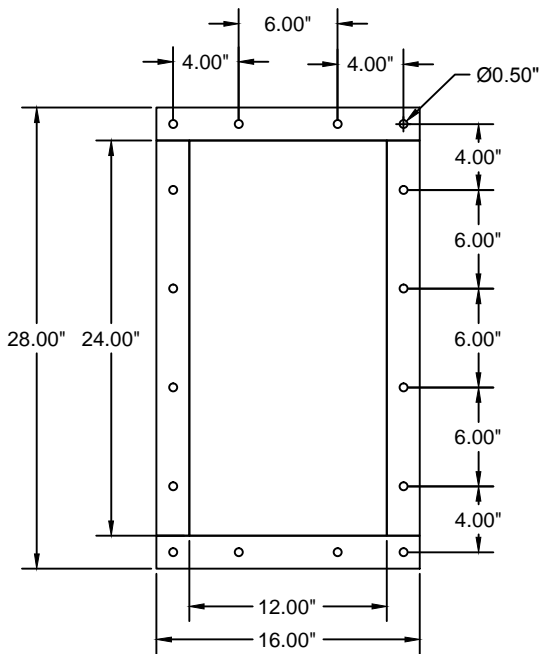
# Baghouse Collector to Jacobs Duct US Steel



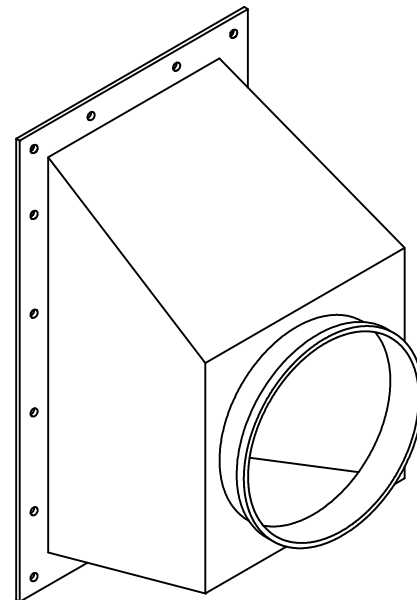
Top View



Side View



Flange View



Isometric View

Avani Environmental Int.  
95 Cypress Drive  
Youngsville, NC 27596  
P# 919-570-2862 F# 919-570-2863

**Avani**

Project: US Steel Rework

Drawing: Baghouse Collector to Jacobs

Date: 1/10/14

Drawn by: MDT

Sheet No: 1 of 1

Rev 0