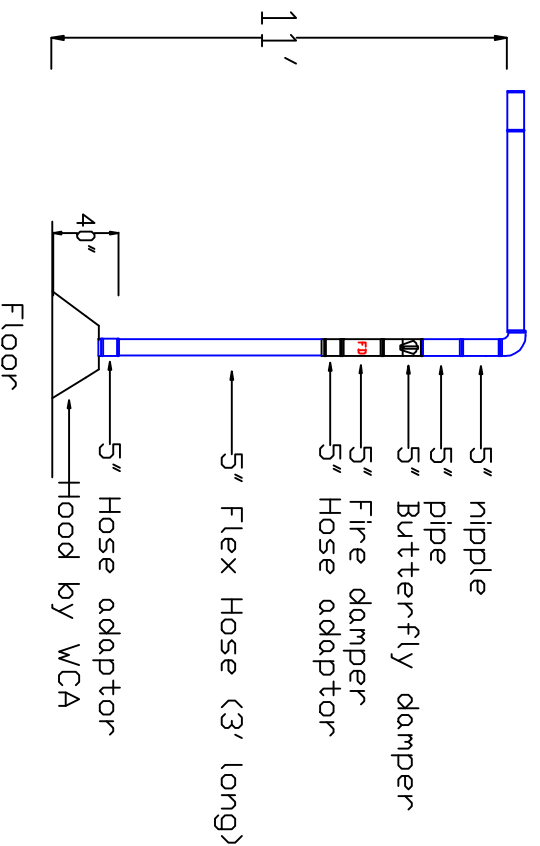


# Absolent Ductwork Layout for the Painters

## Notes:

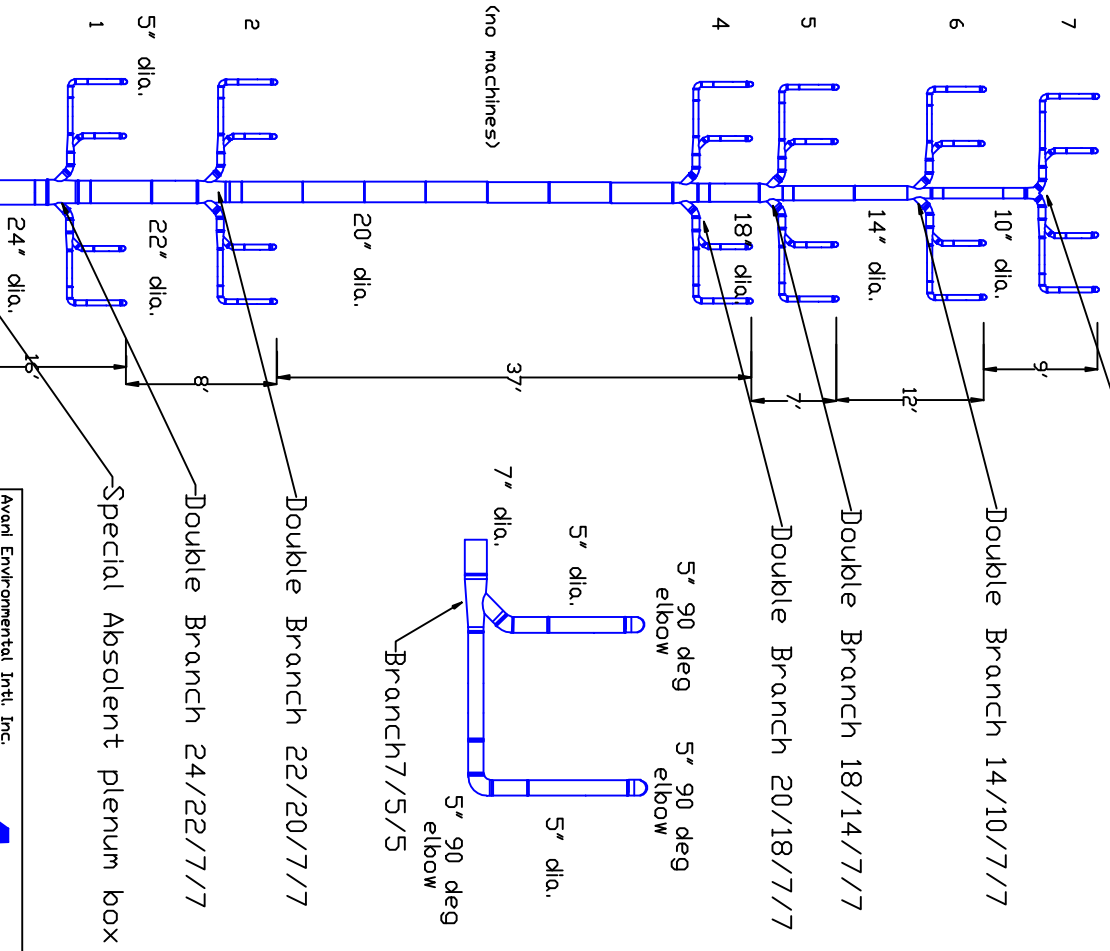
- WCA is making the hood
- Send WCA (24) 5" dia. hose adaptors
- all drops to have 5" dia. fire dampers,
- 5" butterfly adaptors, 5" hose adaptors

Typical Drop



Side View

Plan View



A-Mist 80TF (DDF 8000)  
 Motor: 10 HP - 240 volts - 3 phase  
 FLA @ 240 volts = 28 amps

|  |              |
|--|--------------|
| Avoni Environmental Intl. Inc.   | <b>Avani</b> |
| 95 Cypress Drive 27596<br>Youngsville, NC<br># 919-570-2862 # 919-570-2863 |              |
| Project: WestCoast Aerospace   |              |
| Drawing: Painters Layout   |              |
| Date: 07-03-12   Drawn by: DJJ   |              |
| Sheet No:  |              |