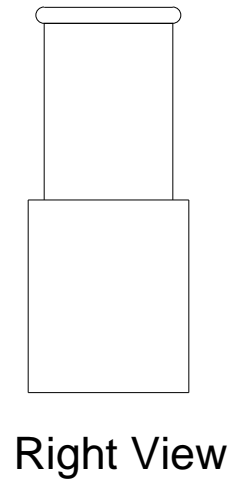
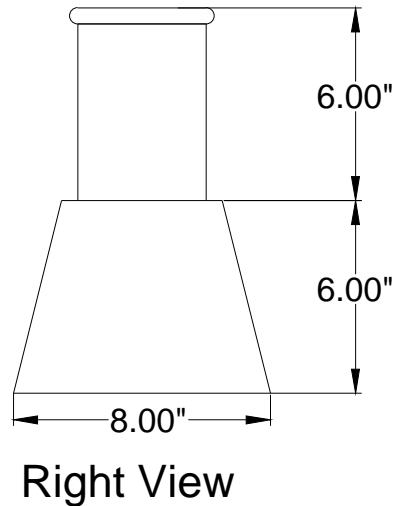
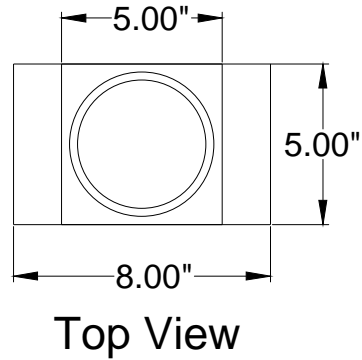
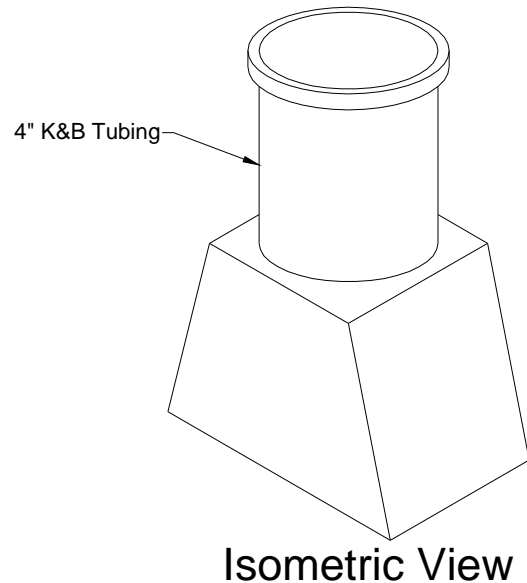


5" x 8" Hood



Notes:

1. Airtight plenum box
2. Tubing attach to 4" Kirk and Blum

Avani Environmental Intl.
95 Cypress Drive
Youngsville, NC 27596
P# 919-570-2862 F# 919-570-2863

Avani

Project: Bristol Hot Header

Drawing: Hood View

Date: 12/21/12

Drawn by:MDT

Sheet No: 1 Of 1

Rev.: 0