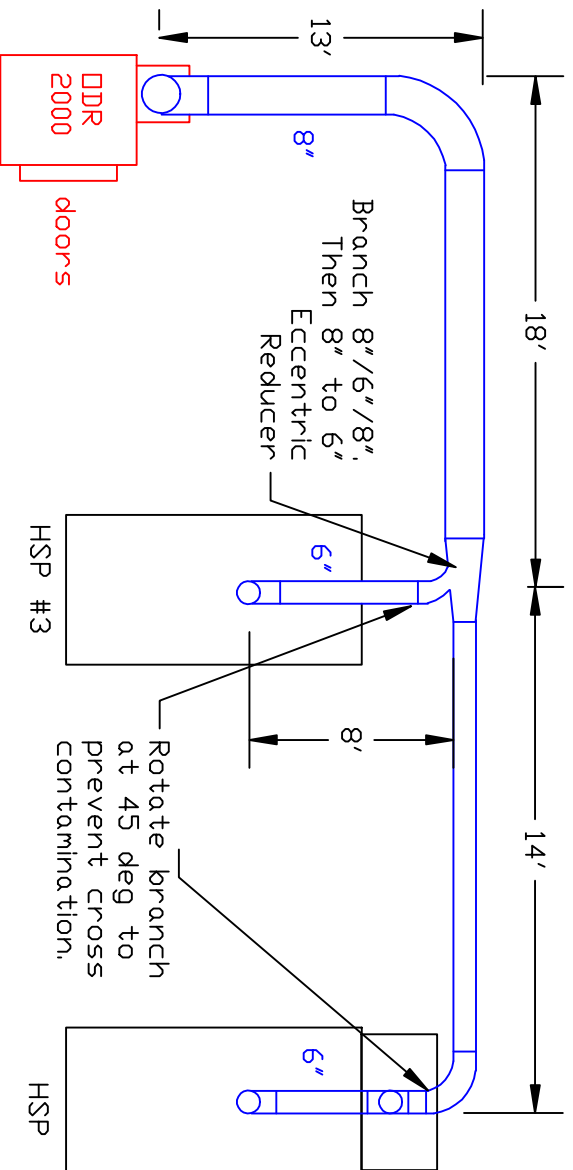
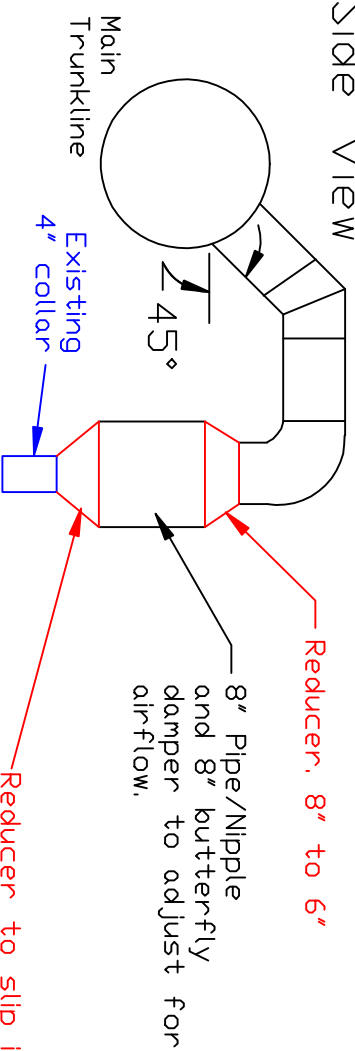


# High Speed Planetary #3 Ductwork Layout

Plan View



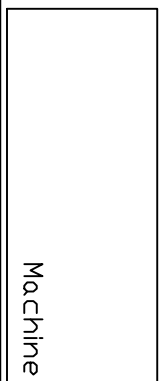
Side View



Reducer to slip inside the collar.  
3.875" to 8"

8" Pipe/Nipple and 8" butterfly damper to adjust for airflow.

Reducer, 8" to 6"



Industrial Air Quality  
102 AG DRIVE 27596  
Toungesville, NC  
PH # 919-562-7181 F# 919-562-7182  
Project: Timken - Test Lab  
Drawing: High Speed 3#  
Date: 1/1/10 Drawn by: RAV  
Sheet No: 1 of 1

