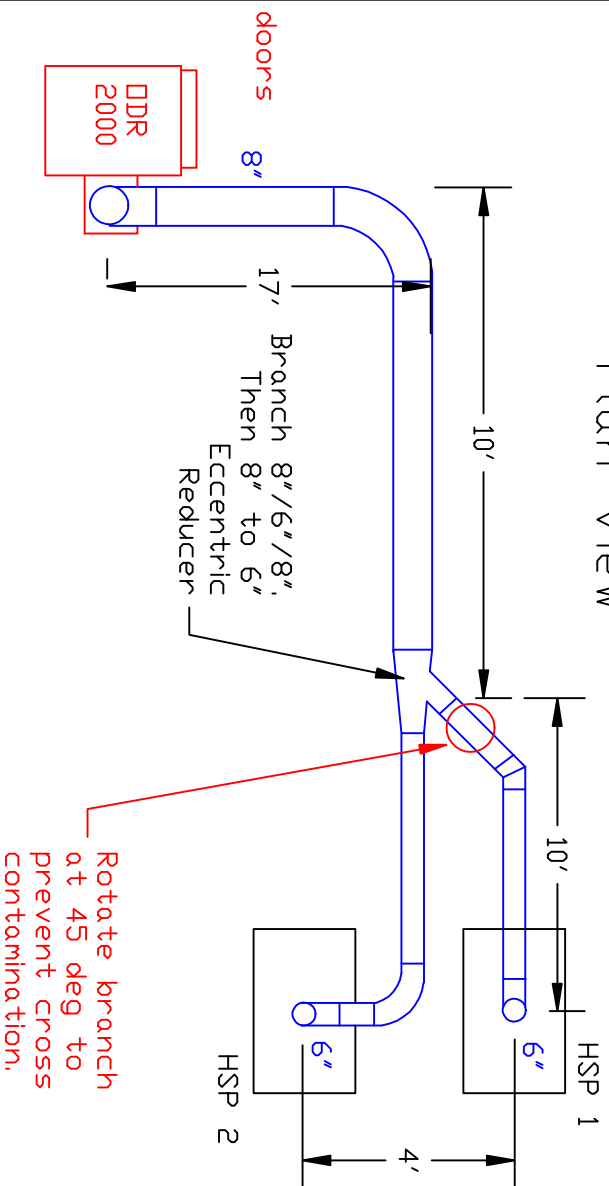
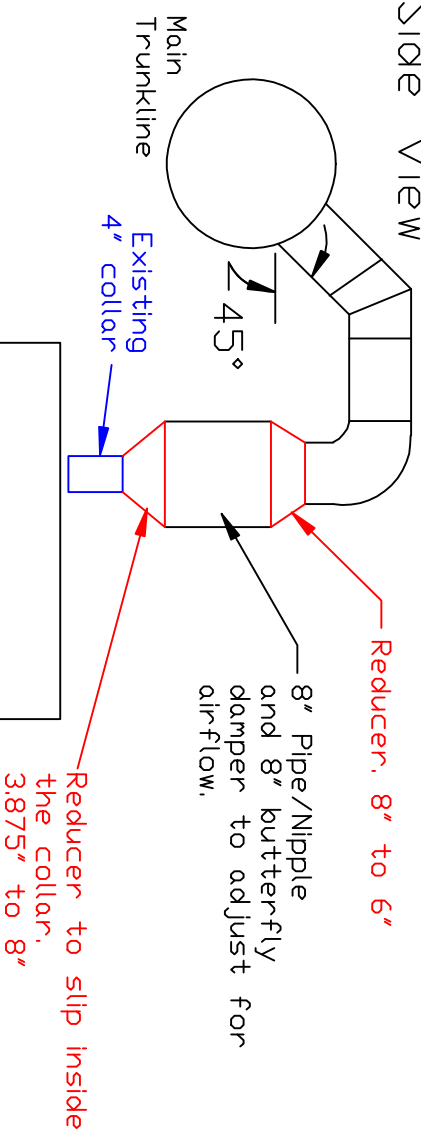


High Speed Planetary #1 & #2 Ductwork Layout

Plan View



Side View



Industrial Air Quality
 102 AG DRIVE
 TOWNESVILLE, NC 27596
 PH 919-562-7181 F# 919-562-7182
IAQ
 Project: Timken - Test Lab
 Drawing: High Speed 1 and 2
 Date: 1/1/10 Drawn by: RAV
 Sheet No: 1 of 1