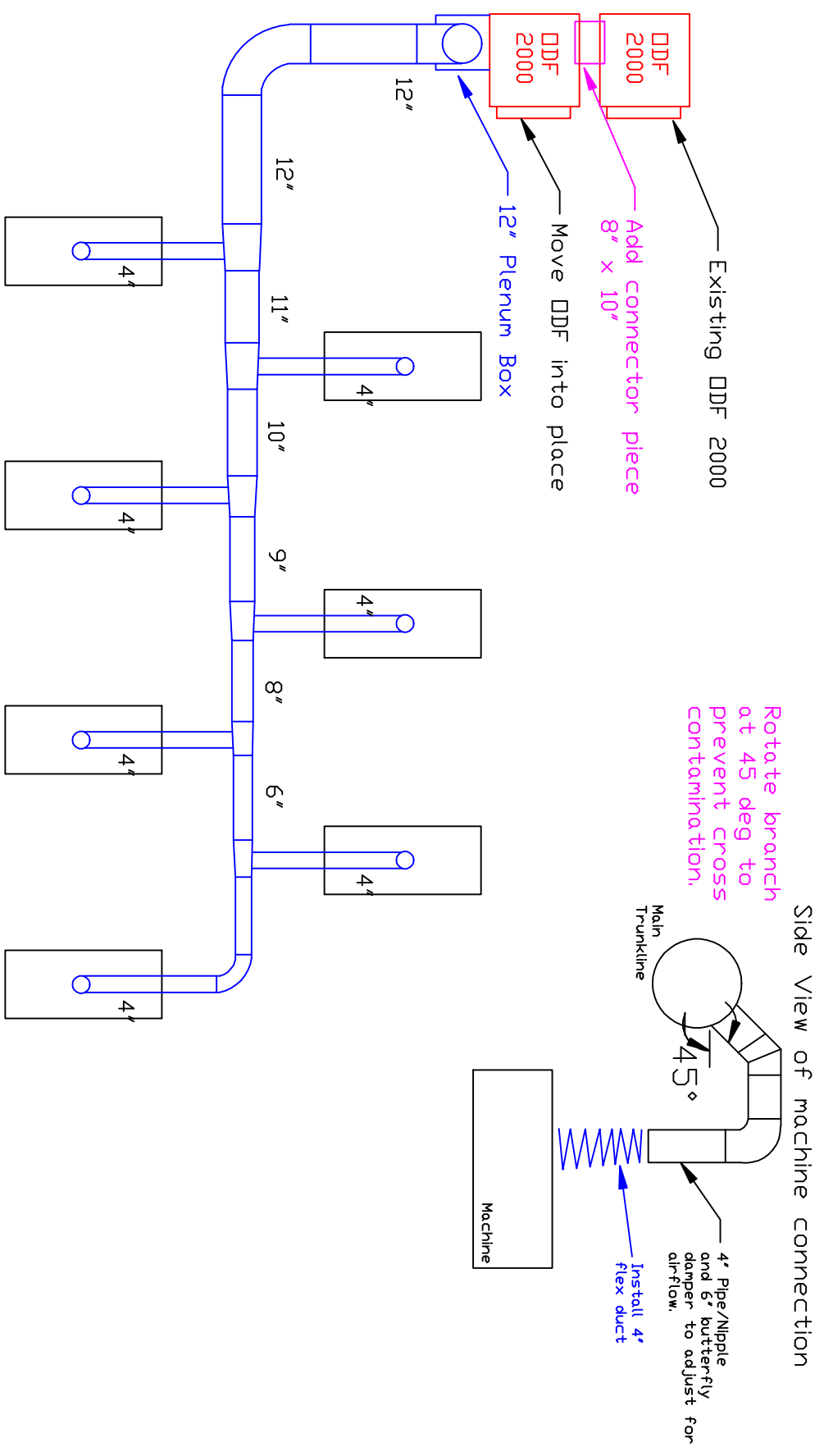


Engine Test Stand Ductwork Layout



Industrial Air Quality
 102 AG DRIVE
 Youngsville, NC 27596
 PH 919-562-7181 F# 919-562-7182

IAQ

Project: Timken - Test Lab
 Drawing: Engine Test Stand
 Date: 1/7/10 Drawn by: RAV
 Sheet No: 1 of 1