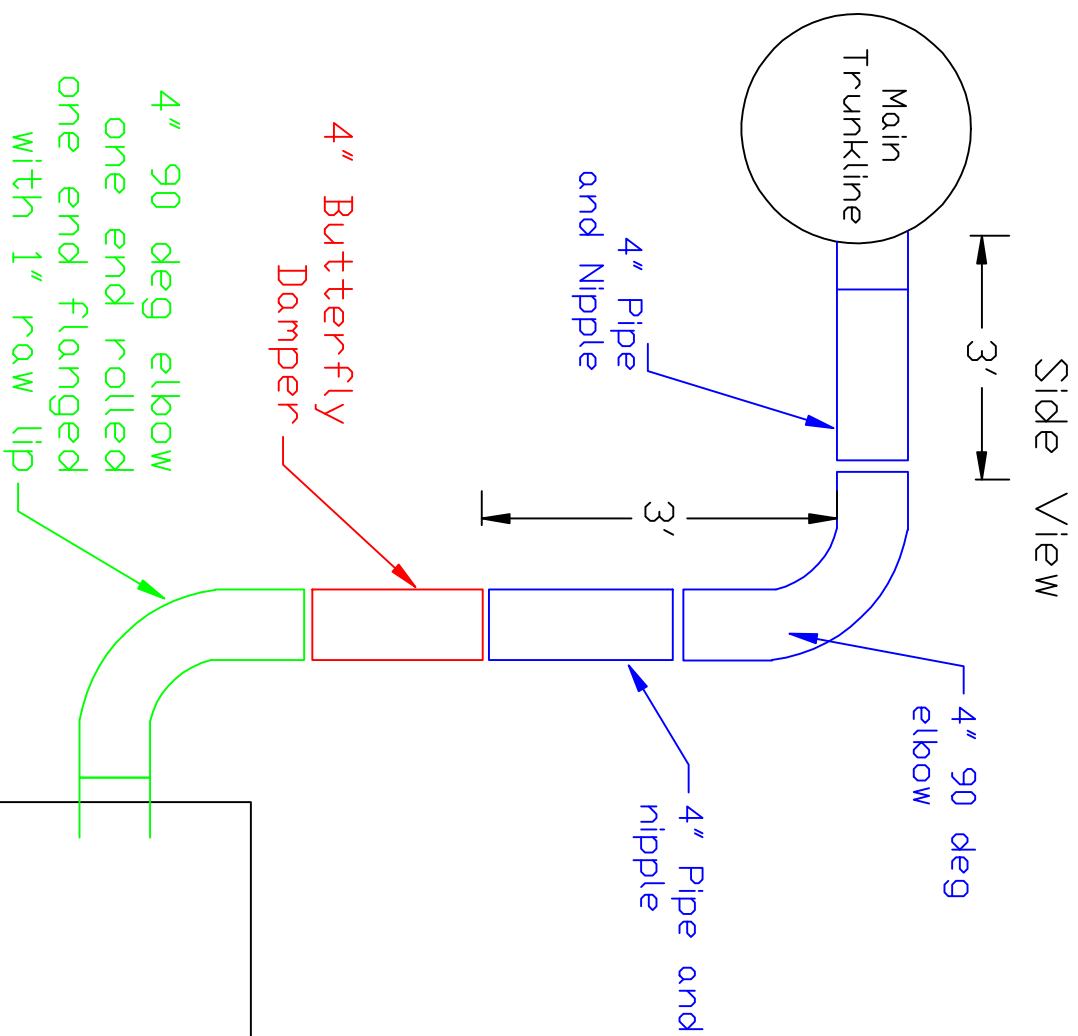



Engine Head Line Machine Connection Detail



- Notes:
- A) Expand 3" hole from 3" to 4" dia. Panel is Lexan.
 - B) Attach 4" 90 deg elbow with flange to lexan. Seal with silicone.
 - C) Run branch horizontally.
 - D) Reuse existing brackets to support the ductwork. May have to slide them back towards the wall.

machine

Industrial Air Quality 102 AG DRIVE TOURNAVILLE, NC 27596 PH # 919-562-7181 F# 919-562-7182	
Project: Timken - Test Lab	
Drawing: Eng Head drop l	
Date: 10/27/09 Drawn by: RAV	
Sheet No: 1 of 2	