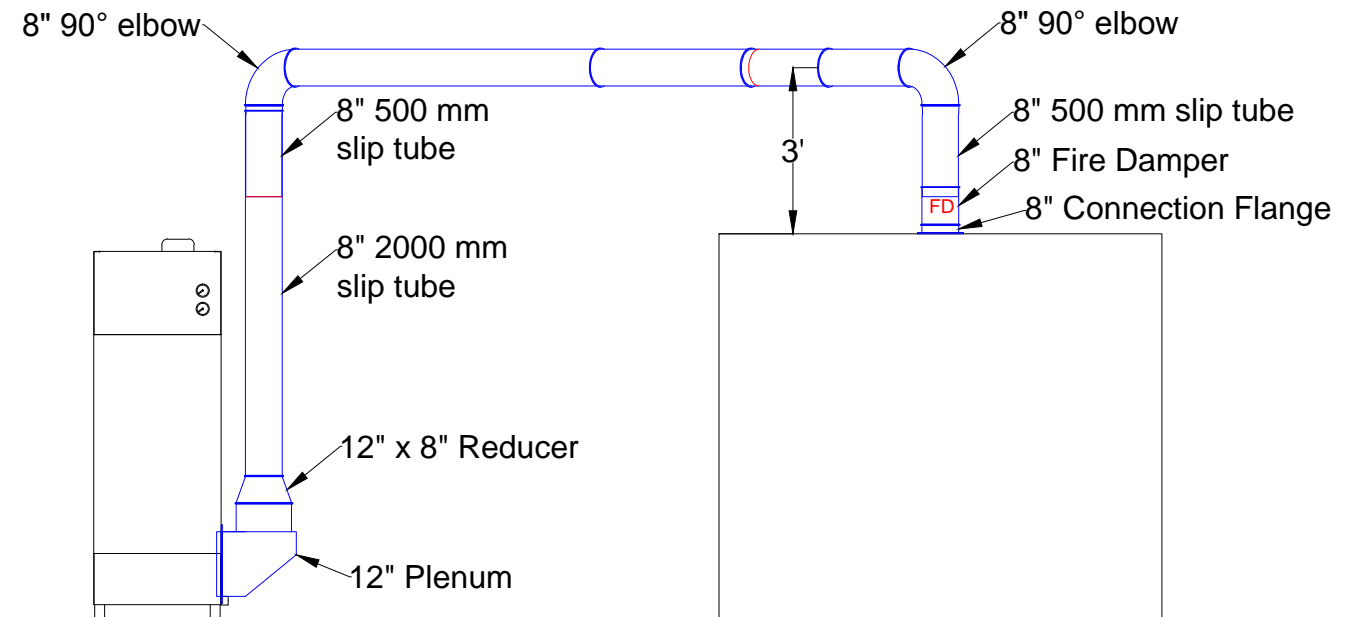
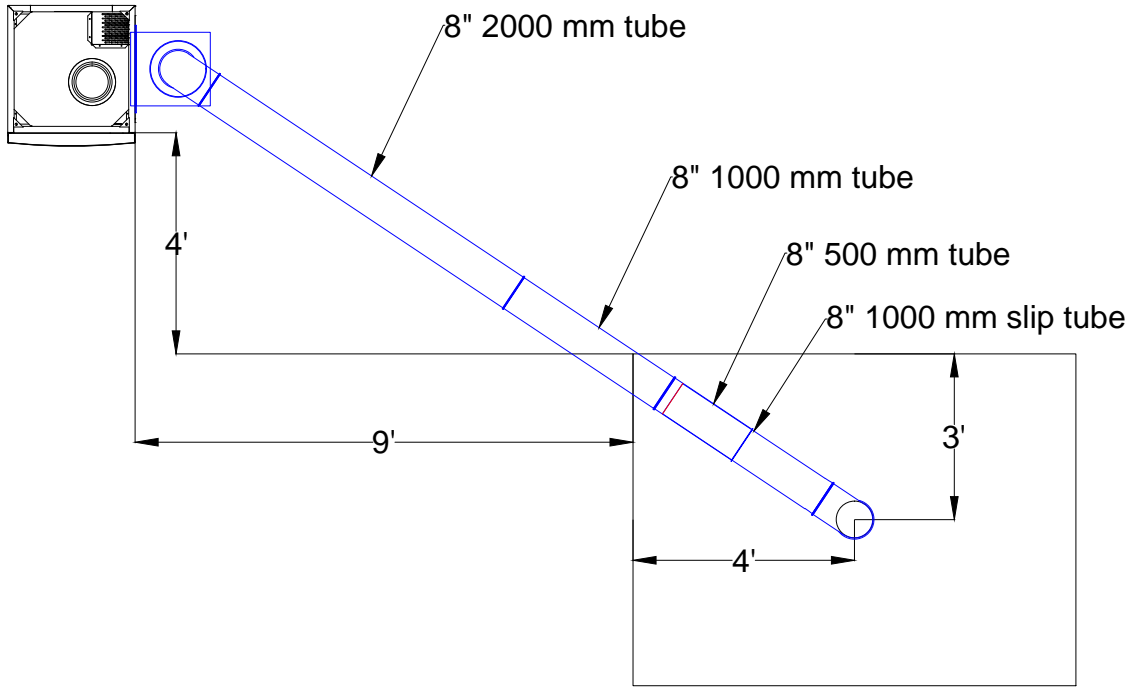


Thyssen Krupp ODR-2000 to Lathe Duct Layout



Avani Environmental Intl.
95 Cypress Drive
Youngsville, NC 27596
P# 919-570-2862 F# 919-570-2863

Avani

Project: Thyssen Krupp SO20008

Drawing: ODR-2000 to Lathe

Date: 6/5/13

Drawn by: MDT

Sheet No: 1 of 1

Rev.: 0