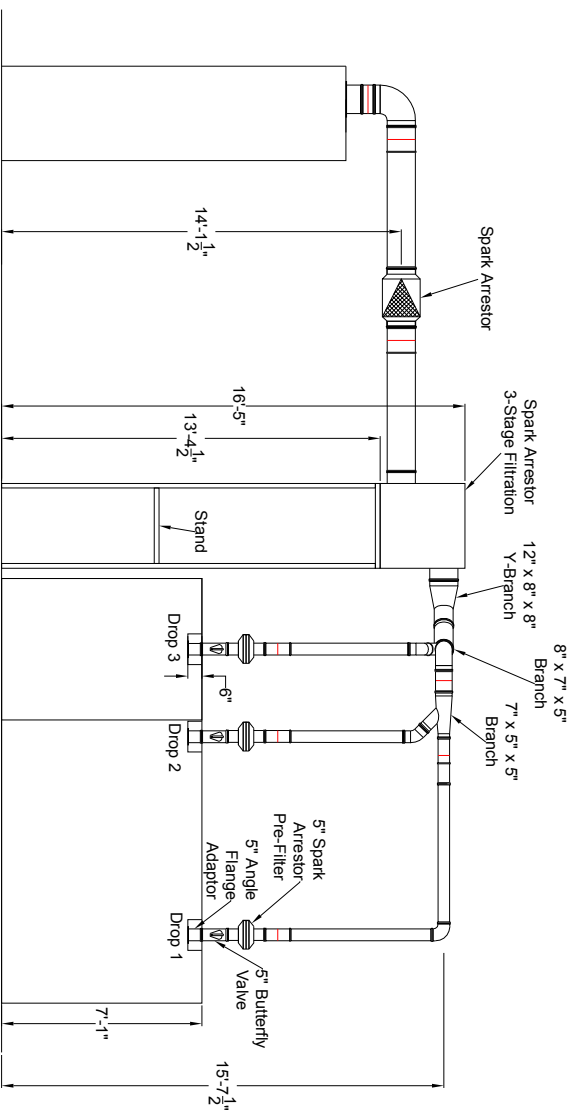
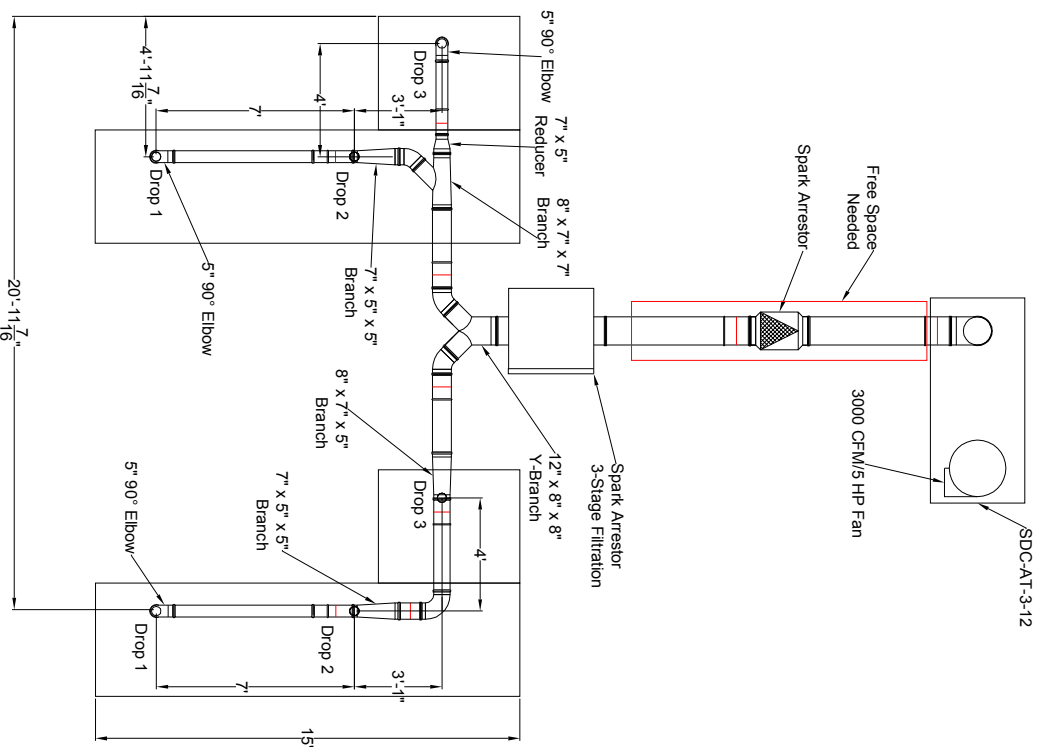



Stanadayne - Duct Layout



- Notes:
1. Replacing SPC-2000 units with SDC-AT-3-12
 2. Clamp Together Duct
 3. Support machines
 4. Drop locations approximated

Avani Environmental 95 Cypress Drive Youngsville, NC 27596 P# 919-570-2862 F# 919-570-2863	
	
Project: Stanadayne - Dust Collector	
Drawing: Duct Layout	
Date: 9/10/13	Drawn by: MDT
Sheet No.: 1	Rev.: 2