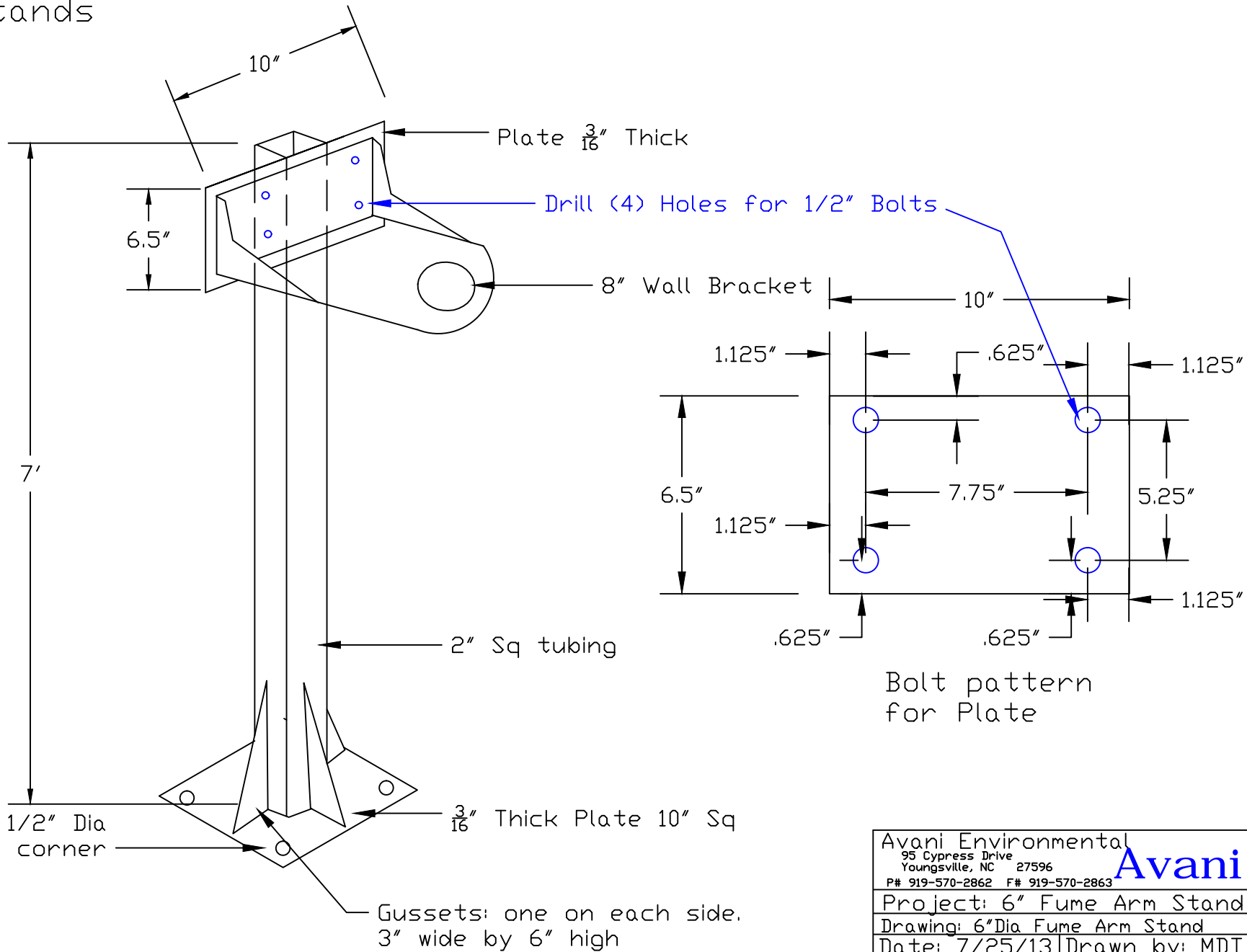


6" Dia Avani Fume Arm Stand

Notes:

A) Paint Stands
black



| | |
|---|---------------|
| Avani Environmental | |
| 95 Cypress Drive Youngsville, NC 27596 | |
| P# 919-570-2862 F# 919-570-2863 | |
| Project: 6" Fume Arm Stand | |
| Drawing: 6" Dia Fume Arm Stand | |
| Date: 7/25/13 | Drawn by: MDT |
| Revision Date: | |