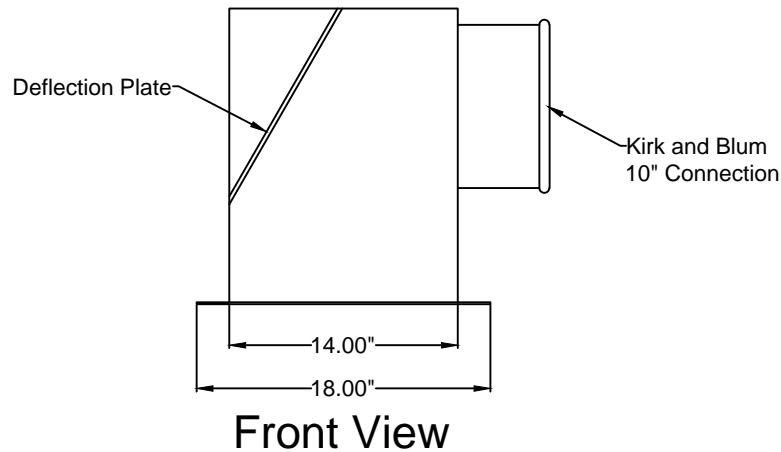
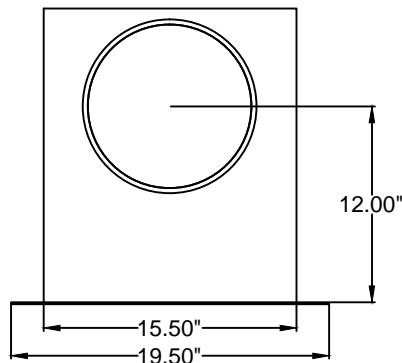
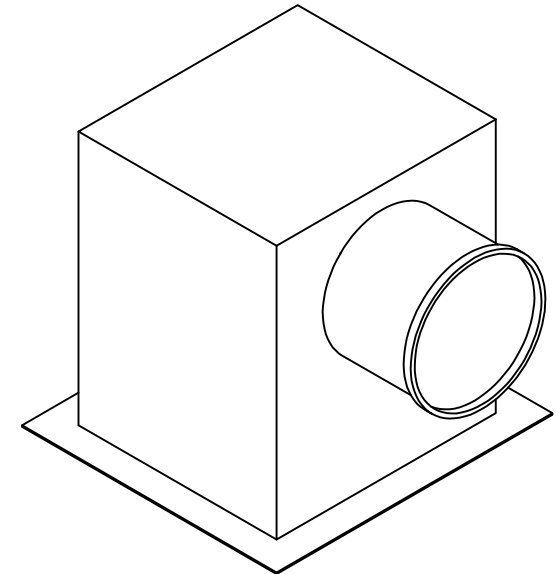
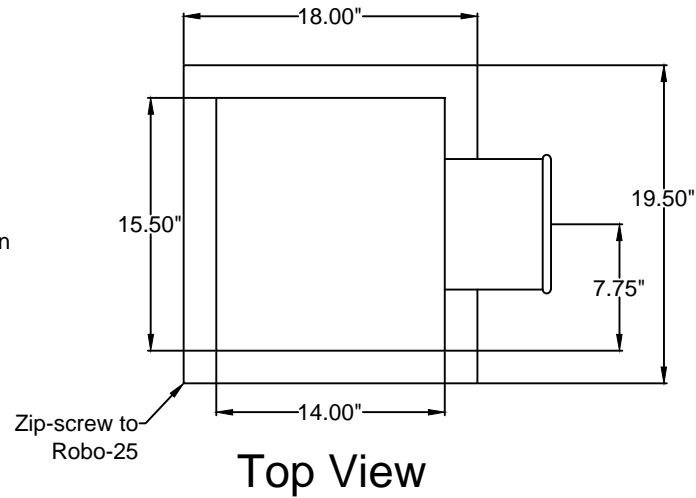


Robo-25 Plenum Box

Notes:

1. Fabricated with 10" K&B connection
2. Zipscrew to Robo-25



Avani Environmental Intl.
 95 Cypress Drive
 Youngsville, NC 27596
 P# 919-570-2862 F# 919-570-2863

Avani

Project: Robo-25 Plenum Box	
Drawing: Plenum Box	
Date: 12/11/14	Drawn by:MDT
Sheet No: 1 of 1	Rev.: 0