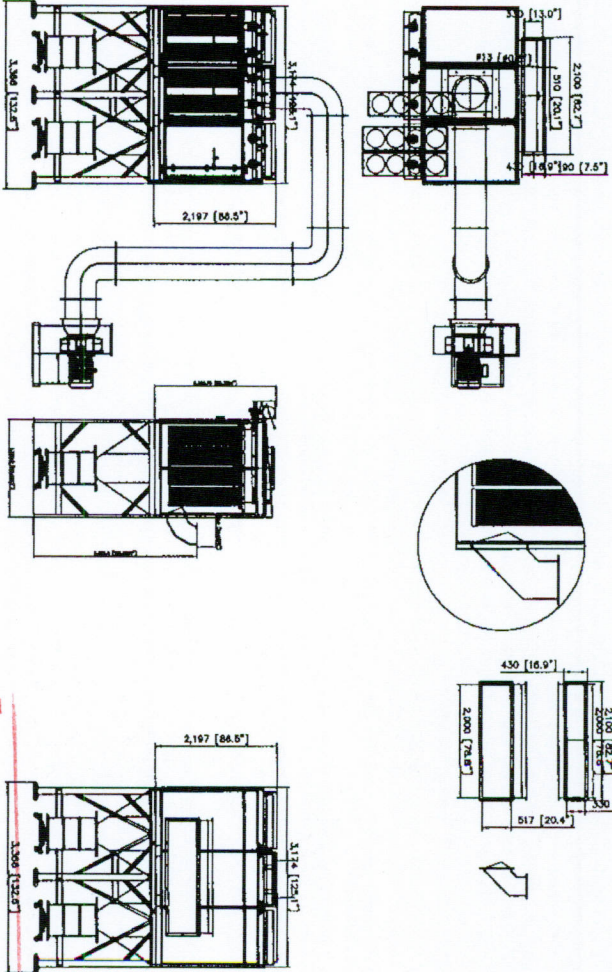


Dust Collectors

DO NOT SCALE IF IN DOUBT ASK



Rev	Description	Date	Approved

OSKAR AIR PRODUCTS, INC.
95 Cypress Drive
Youngsville, NC 27596

Sales Department
(919) 570-2862
sales@oskarair.com

Date	Name	Part Number
8-12-2009	XXXX	SV-40-24

Title	Scale
Cartridge Collector	A

The drawing is confidential and is the exclusive property of Oskar Air Products. No unauthorized copying or disclosure is to be made and it is returned whenever required.

- SDC-40-24 SPECIFICATION -

- Direct Drive Blower (on the ground)
- Motor: 40HP x 1 pc
- CFM: 16,500 f3/min @ 10" SP
- Full-load Running Amp @ 460V: 50A
- Include:
 - UL Star-Delta Control Box

- Inlet: 2000 x 330 mm (78.8" x 13")
- Cartridge Filter: Dia. 325mm x 1200mm x 24pcs (Dia. 12.8" x 47" x 24pcs)
- Material: Polyester with TEFLON coating.
- Filter Area: .19m² x 24 = 456m² (4906.56 ft²)
- Pleat Depth: 48mm

- Horizontal Positioned Filters,
- Continuous Welded Seams,
- Gasket and Latched Doors,
- Powder Coated Paint and Reverse Jet Pulse Cleaning
- Include:
 - Drum & Jack Lifting Tool
 - Filter Chamber
 - Hopper
 - Inlet Square Pipe (need dimensions)
- No. of Valves: 6

- Inlet Air: 4" ³
- Compressed Air Requirement: 90 PSI
- Compressed Air Reservoir: 23.7 gallon
- Dimension: 132.6" x 68.5" x 173" (3368.04 x 1738.5 x 4394.2mm)
- Construction: 13 Gauge for panel; 11 Gauge Steel Cabinet
- Max. Operating Temp.: 120°C
- Paint Color: Blue

6) Document Swatches
5) Dust work layout
4) Blower cabinet
3) S.P. cables
2) Warranty info
1) O&M manuals

Data: Provide additional

ENWRIGHT ASSOCIATES INC
8/19/09
KRA

Our review of this submittal is for the limited purpose of checking for conformance with information given and the design concept expressed in the Contract Documents. Our review is not conducted for the purpose of determining accuracy or completeness of other details such as dimensions, quantities or for substantiating instructions for installation or performance of equipment or systems. The Contractor, all of which remain the responsibility of the Contractor, shall not constitute approval of safety precautions or of construction means, methods, techniques, sequences or procedures.

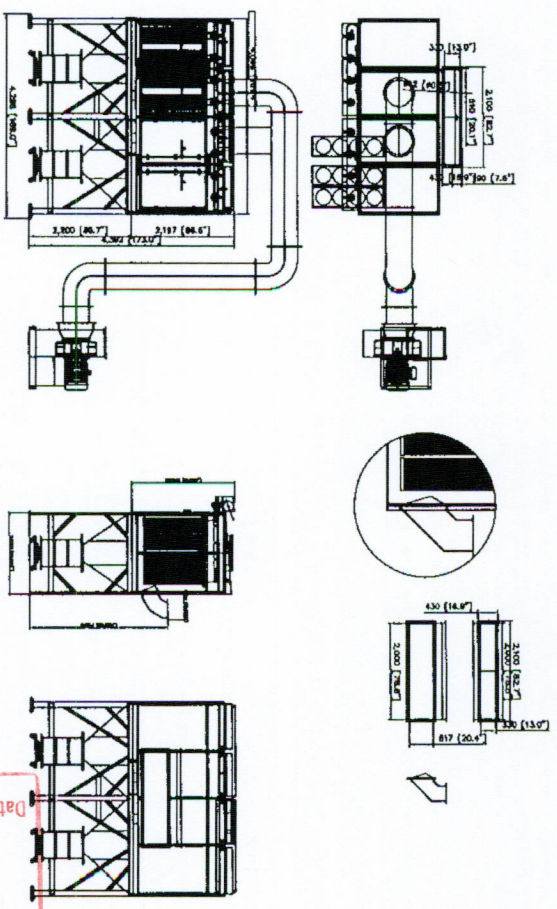
REVIS AND RESUBMIT
FURNISH AS CORRECTED

8/17/09

For 919 562 7182

DO NOT SCALE IF IN DOUBT ASK

Rev	Description	Date	Approved



OSKAR AIR PRODUCTS, INC.
 95 Cypress Drive
 Youngsville, NC 27596

Sales Department
 (919) 570-2862
 sales@oskarsales.com

Order No.	Date	Name	Part Number	Size	Scale
XXX-00-00X	2000X		SV-32	A	1 = 1

Cartridge Collector
 Drawing Number: SV-3200-01
 Date: 8/2/00

- Inlet Air: 4" 3"
- Compressed Air Requirement: 90 PSI
- Compressed Air Reservoir: 31.6 gallon
- Dimension: 169" x 68.5" x 173" (2290 x 1738.5 x 4394.2mm)
- Construction: 13 Gauge for panel; 11 Gauge Steel Cabinet
- Max. Operating Temp.: 120°C
- Paint Color: Blue

- Inlet Square Pipe (need dimensions)
- Hopper
- Filter Chamber
- Drum & Jack Lifting Tool
- Filter Chamber

- UL Star-Delta Control Box
- Direct Drive Blower (on the ground)
- Motor: 50HP x 1 pc
- CFM: 18,500 f3/min @ 10" SP
- Full-load Running Amp @ 460V: 62A
- Include:
- UL Star-Delta Control Box
- Inlet: 2000 x 330 mm (78.8" x 13")
- Cartridge Filter: Dia. 325mm x 1200mm x 32pcs (Dia. 12.8" x 47" x 32pcs)
- Material: Polyester with TEFLON coating.
- Filter Area: 19m² x 32 = 608m² (6542.08 ft²)
- Pleat Depth: 48mm
- Horizontal Positioned Filters,
- Continuous Welded Seams,
- Gasket and Latched Doors,
- Powder Coated Paint and
- Reverse Jet Pulse Cleaning
- Include:
- Drum & Jack Lifting Tool
- Filter Chamber
- Hopper
- Inlet Square Pipe (need dimensions)

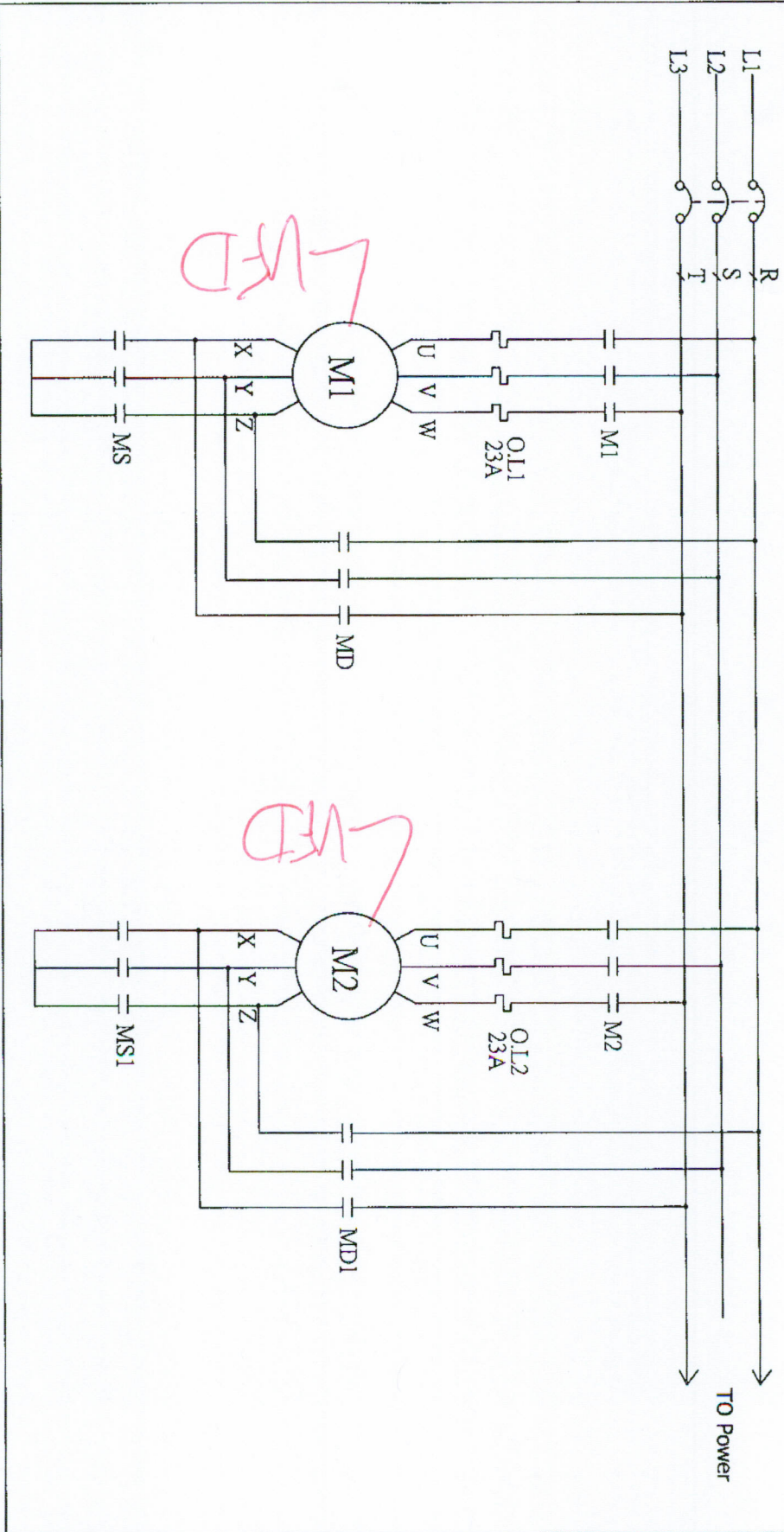
See comments on other Dust Collector

REVISIONS AS CORRECTED

OSKAR AIR PRODUCTS, INC.
 OSKAR ASSOCIATES INC.
 B. KAN

submittal is for the limited purpose of accuracy and completeness of other details such as dimensions and quantities or for substantiating instructions for installation or performance of equipment or systems designed by the Contractor, all of which remain the responsibility of the Contractor to the extent required by the Contract Documents. Our review shall not constitute approval of the Contractor's methods, sequences or procedures. This drawing is confidential and is the exclusive property of Oskar Air Products. No unauthorized use, copy or disclosure is to be made and it is returned whenever required.

Repeater Control Box 2009.08.13

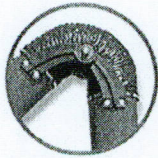


Fume Arms

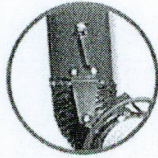
Date 8/19/09 By [Signature]
ENWRIGHT ASSOCIATES INC.
 methods, techniques, sequences or procedures.
 designed by the Contractor, all of which remain the responsibility of the Contractor to the extent required by the installation or performance of equipment or systems and quantities for substantiating instructions for accuracy and completeness of other details such as dimensions and quantities for the purpose of design review is not covered in the Contract Documents. Our design concept is based on the information provided in the checking for compliance with information given in the Our review of this submittal is for the limited purpose of REJECTED REVISIONS AND RESUBMIT REJECTED REVISIONS AS COLLECTED

part number*	diameter	length	hood diameter	cfm
0710	3 in	3 ft	4 in	60 - 100
0715	3 in	5 ft	4 in	60 - 100
1015	4 in	5 ft	8 in	100 - 200
1020	4 in	7 ft	8 in	100 - 200
1025	4 in	8.5 ft	8 in	100 - 200
1220	5 in	7 ft	10 in	200 - 450
1230	5 in	10 ft	10 in	200 - 450
1620	6 in	7 ft	12 in	450 - 850
1630	6 in	10 ft	12 in	450 - 850
1640	6 in	14 ft	12 in	450 - 850
2020	8 in	7 ft	14 in	750 - 1200
2030	8 in	10 ft	14 in	750 - 1200
2040	8 in	14 ft	14 in	750 - 1200

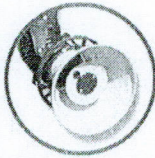
*add P to part number for portable arms
 *add SS to part number for 304 stainless steel arms.



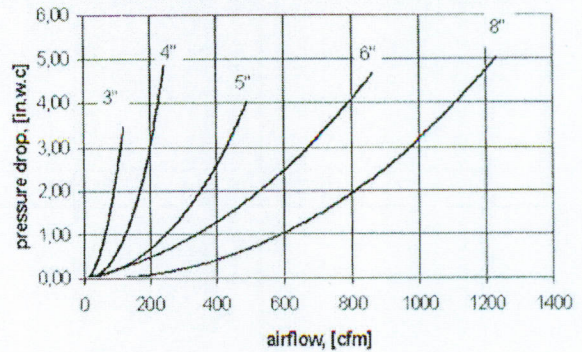
All external joints



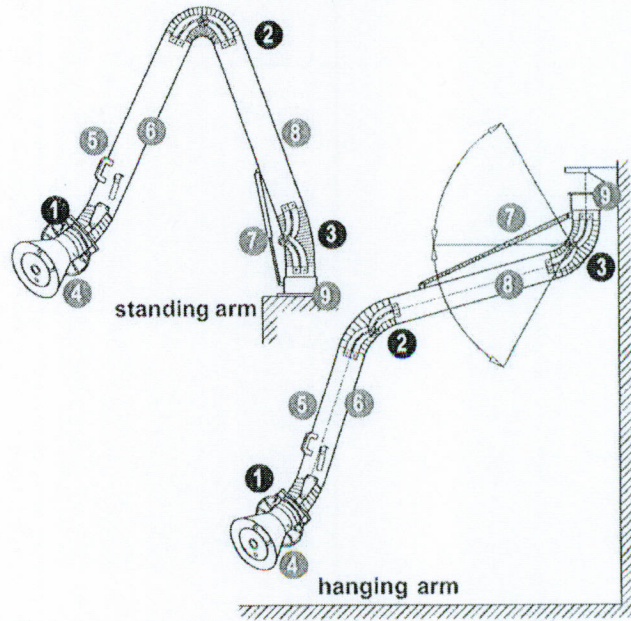
Standard damper



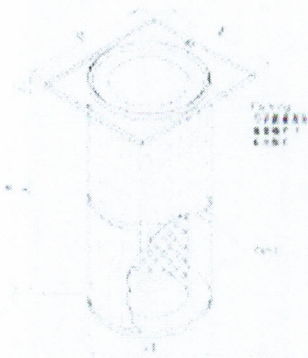
Air diverter



- 1 Hood Joint - Easy to move. All external adjustments. Flexible hose with gear clips
- 2 Middle Joint - All external adjustments. Flexible hose with gear clamps
- 3 Socket Joint - Rotating swivel with safety stops. All external adjustments.
- 4 Aluminum hood (powder coated) with surrounding grab handle. Ready to be fitted with optional light kit
- 5 Additional tube grab handle
- 6 Smooth steel tube with standard damper
- 7 Support spring or gas shock on outside
- 8 Smooth steel tube
- 9 Swivel base with predrilled mounting holes



Forward
 Air Filter Furnace
 m/ΔP



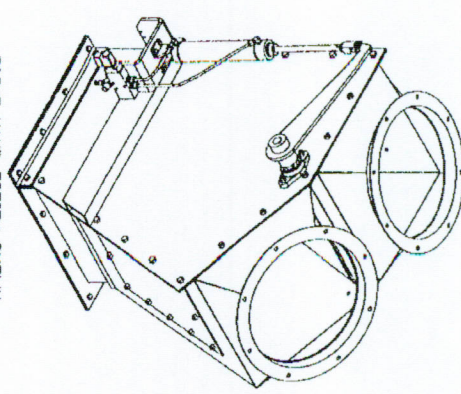
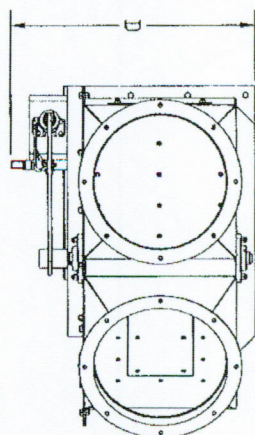
PF TYPE (Measurement m/m)

Diameter	Fold Depth	A	B	C	D	E	F	Weight kg	Filtering Area M ²
325	48	1307	1320	13	406	357	324	17	19

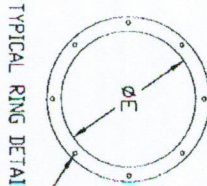
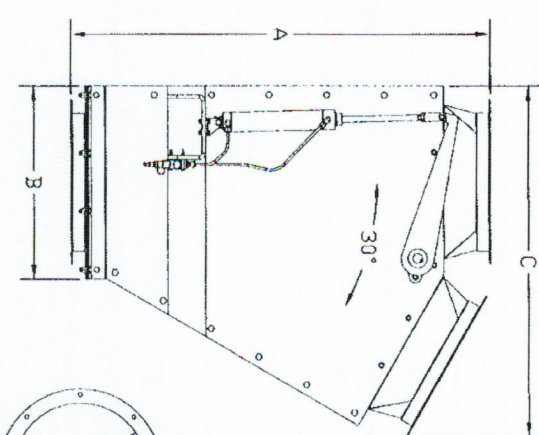
REJECTED REVISE AND RESUBMIT
 REVIEWED FURNISH AS CORRECTED

Our review of this submittal is for the limited purpose of checking for conformance with information given and the design concept expressed in the Contract Documents. Our review is not conducted for the purpose of determining accuracy and completeness of other details such as dimensions and quantities or for substantiating instructions for installation or performance of equipment or systems designed by the Contractor, all of which remain the responsibility of the Contractor. Our review shall not constitute approval of safety precautions or, of construction means, methods, techniques, sequences or procedures.

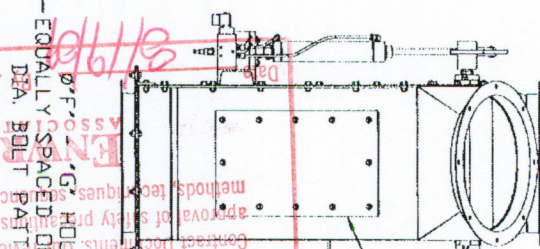
ENWRIGHT ASSOCIATES, INC.
 By KAN
 Date 8/19/09



RIGHT HAND OPTION SHOWN
(LEFT HANDED AVAILABLE)



TYPICAL RING DETAIL



CLEAN-OUT
DOOR

MODEL	A	B	C	D	E	F	G	H
4"	20 7/8"	10 1/4"	19 1/4"	12 3/4"	4"	9/32"	6	5 5/16"
5"	20 7/8"	10 1/4"	19 1/4"	12 3/4"	5"	9/32"	6	6 5/16"
6"	20 7/8"	10 1/4"	19 1/4"	12 3/4"	6"	3/8"	6	7 5/16"
7"	29 5/8"	12 1/4"	23 1/4"	14 3/4"	7"	3/8"	6	8 1/2"
8"	29 5/8"	12 1/4"	23 1/4"	14 3/4"	8"	3/8"	6	9 9/16"
9"	37 5/8"	16 1/4"	30 3/4"	18 3/4"	9"	3/8"	6	10 5/8"
10"	37 5/8"	16 1/4"	30 3/4"	18 3/4"	10"	3/8"	6	11 13/16"
11"	37 5/8"	16 1/4"	30 3/4"	18 3/4"	11"	3/8"	6	12 3/4"
12"	37 5/8"	16 1/4"	30 3/4"	18 3/4"	12"	7/16"	8	14"
13"	45 5/8"	20 1/4"	38 1/4"	22 3/4"	13"	7/16"	8	15"
14"	45 5/8"	20 1/4"	38 1/4"	22 3/4"	14"	7/16"	8	16"
15"	45 5/8"	20 1/4"	38 1/4"	22 3/4"	15"	7/16"	8	17"
16"	45 5/8"	20 1/4"	38 1/4"	22 3/4"	16"	7/16"	8	18"
17"	53 5/8"	24 1/4"	45 3/4"	26 3/4"	17"	7/16"	8	19"
18"	53 5/8"	24 1/4"	45 3/4"	26 3/4"	18"	7/16"	8	20"
19"	53 5/8"	24 1/4"	45 3/4"	26 3/4"	19"	7/16"	12	20 3/4"
20"	53 5/8"	24 1/4"	45 3/4"	26 3/4"	20"	7/16"	12	21 3/4"
21"	61 5/8"	28 1/4"	53 1/4"	30 3/4"	21"	7/16"	12	22 3/4"
22"	61 5/8"	28 1/4"	53 1/4"	30 3/4"	22"	7/16"	12	23 3/4"
23"	61 5/8"	28 1/4"	53 1/4"	30 3/4"	23"	7/16"	12	24 7/8"
24"	61 5/8"	28 1/4"	53 1/4"	30 3/4"	24"	7/16"	12	25 7/8"

AVAILABLE ACTUATION OPTIONS:
PNEUMATIC (SHOWN), MANUAL, H15VAC 60 Hz, 220VAC, 60 Hz,
12VDC AND 24VDC

NOTES:
CONSTRUCTION: 10 GA. HRS.
FINISH:
ALL SHARP EDGE BE ROUNDED TO A SMOOTH RADIUS.
ALL BURS, WELD SPLATTER AND ALL OTHERS SHARP SURFACE
PROJECTION SHALL BE GROUND SMOOTH.

**HEAVY DUTY
DIVERTER VALVE**

Options:
Construction:
Adaptation:
Paint Color:
Voltage:

OSKAR Air Products
PO Box 12279
Youngsville, NC 27596
Ph: (919) 570-2862
Fx: (919) 570-2863
Info@oskarsales.com
www.oskarsales.com

OSKAR
VALVE DIV.

DRAWN BY: TEB
CHECKED BY: AR
DATE: 08/08/08
SCALE: N.T.S.
PRODUCT: DIVERTER VALVE

REVISIONS CORRECTED AND RESUBMIT

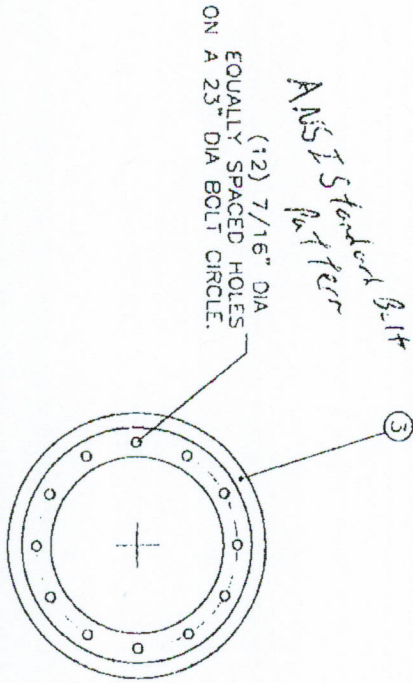
OUR REVIEW OF THIS INITIAL IS LIMITED TO THE INFORMATION GIVEN AND THE DESIGN CONCEPT EXPRESSED IN THE CONTRACT DOCUMENTS. OUR REVIEW IS NOT CONDUCTED FOR THE PURPOSE OF DETERMINING ACCURACY AND COMPLETENESS OF OTHER DETAILS SUCH AS DIMENSIONS AND QUANTITIES OR FOR SUBSTITUTING INSTRUCTIONS FOR INSTALLATION OR PERFORMANCE OF EQUIPMENT OR SYSTEMS DESIGNED BY THE CONTRACTOR, ALL OF WHICH REMAIN THE RESPONSIBILITY OF THE CONTRACTOR. TO THE EXTENT REQUIRED BY THE CONTRACT DOCUMENTS, APPROVAL OF THESE REVISIONS OR CONSTRUCTION MEANS, METHODS, TECHNIQUES, PROCESSES OR PROCEDURES.

ASSOCIATED ENGINEERS, INC.
K&W

ØF = HOLES
EQUALLY SPACED ON A
ØG = BOLT PATTERN
ØH = CLEAN-OUT

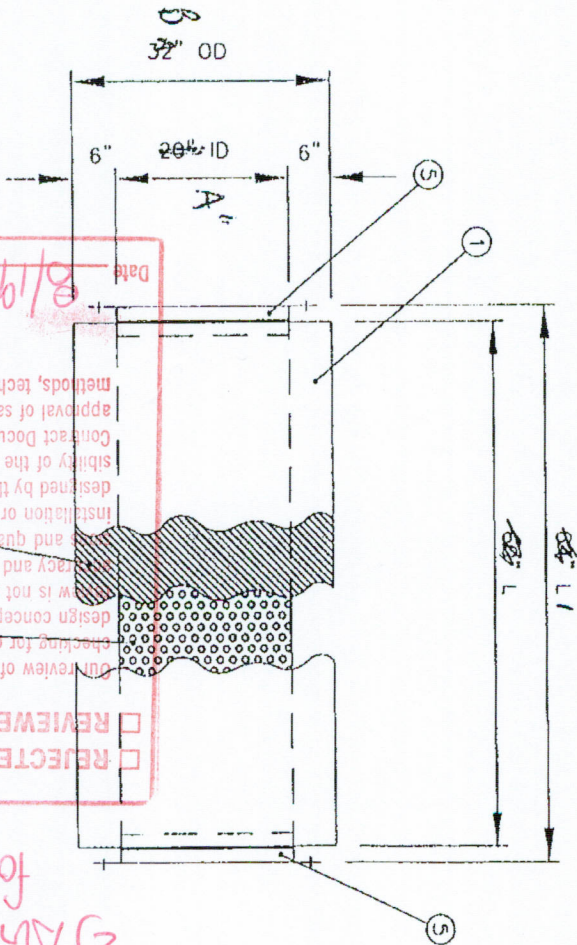
SILENCER COMPONENT CHART	
PART NO.	PART DESCRIPTION
1	SOLID OUTER SHELL: 18 GA.
2	PERFORATED LINER: 22 GA.
3	INSULATION END:
4	INSULATION: 1.55 PCF FIBER GLASS FILL
5	STD. IRON RING FLANGE W/HOLES

NOTE: STITCHED AND BONDED TO BOTH ENDS



ANSI Standard Bolt
 (12) 7/16" DIA
 EQUALLY SPACED HOLES
 ON A 23" DIA BOLT CIRCLE.

30" 24" A = 36" L 72" L1 76"
 30" 30" 42" 105" 109"



ENWRIGHT ASSOCIATES, INC.
 By: *KAM*
 Date: 8/19/09

REJECTED REVISE AND RESUBMIT REVIEWED FURNISH AS CORRECT

Our review of this submittal is for the limited purpose of checking for conformance with information given and the design concept expressed in the Contract Documents. Our review is not conducted for the purpose of determining accuracy and completeness of other details such as dimensions and quantities or for substantiating instructions for installation or performance of equipment or systems designed by the Contractor, all of which remain the responsibility of the Contractor to the extent required by the Contract Documents. Our review shall not constitute approval of safety precautions or, of construction means, methods, techniques, sequences or procedures.

Provide data
 2) Air flow/ΔP data
 for each used.