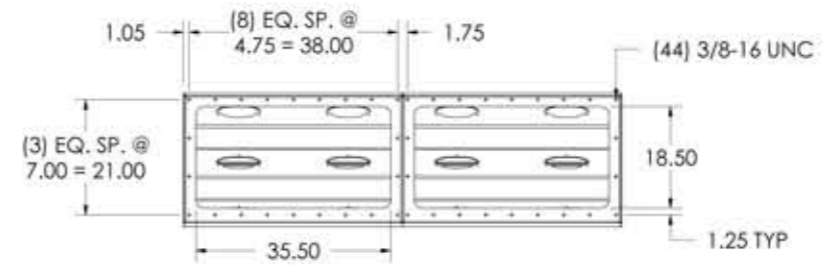
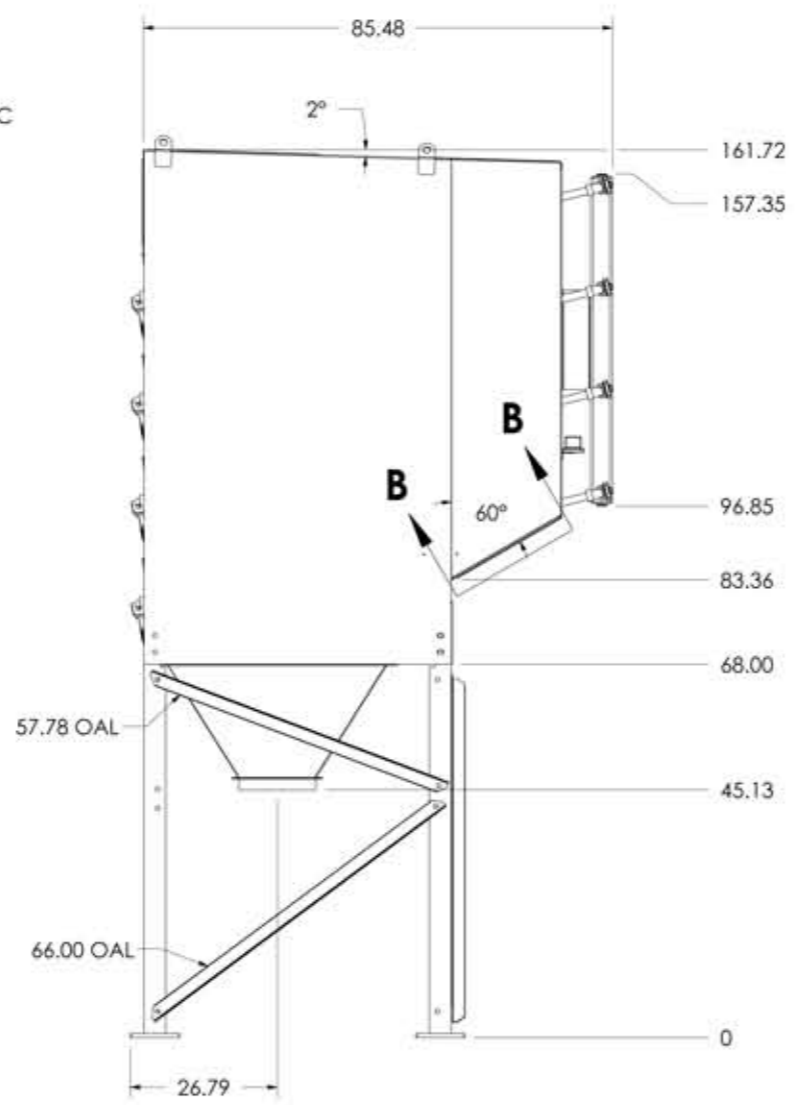
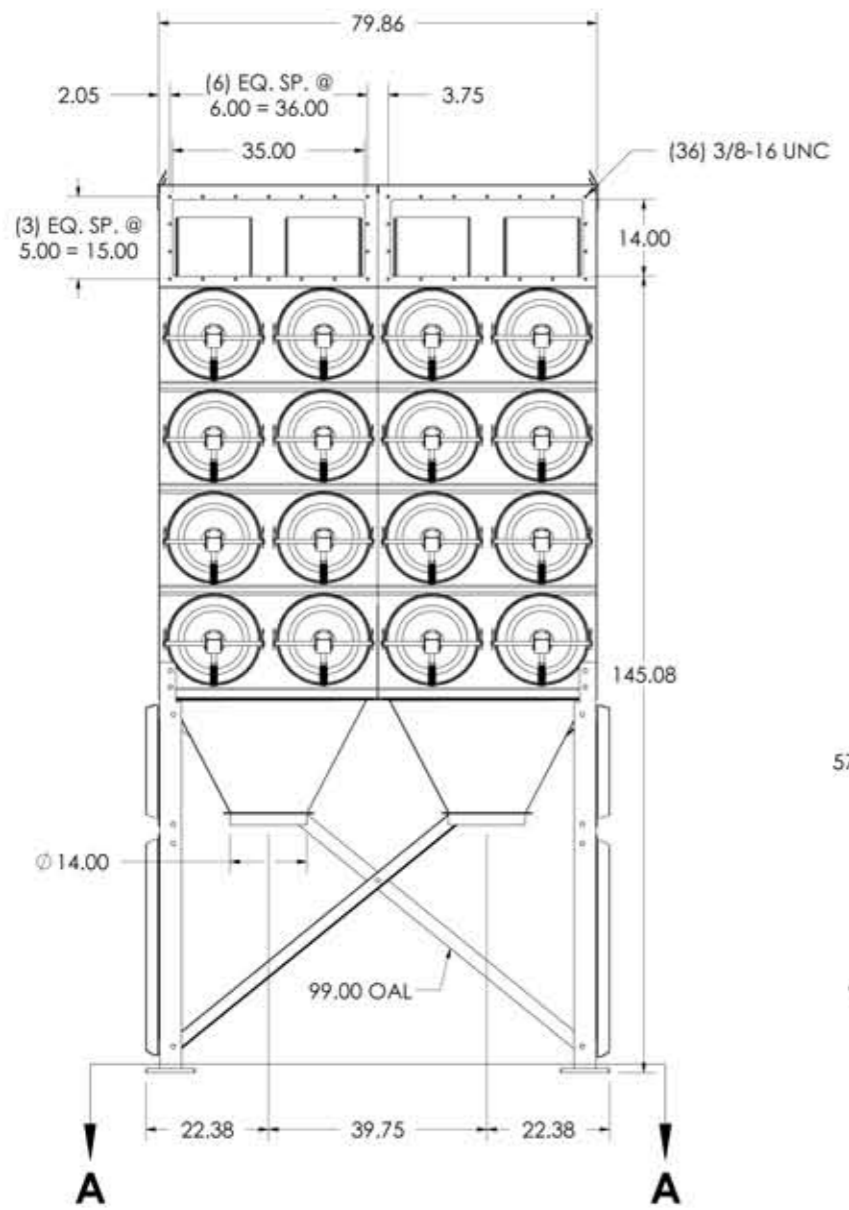
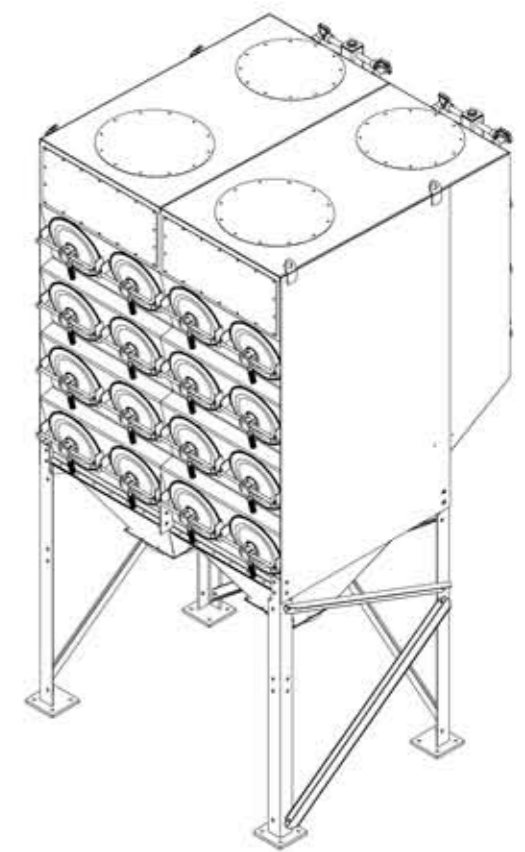


**SECTION A-A**



**SECTION B-B**



TCBI FAN SIZE	A	B
3	14.00	15.81
5-10	16.00	17.50
15-20	20.00	21.50
25-30	22.00	23.50

- NOTES:  
 1. FLOOR MOUNTED FANS MAY NOT HAVE TOP OUTLET HOLES

ACCESSORIES:

A	-	10/10/13	JX	-	ADD NOTES
REV	ECN	DATE	BY	CHK	DESCRIPTION
DRAWN BY: JX					
DATE: 10/8/13					
CHECKED BY: JX					
DATE: 10/8/13					
DRAFT NO.: -					
SCALE: 1:35					
TITLE: SDC-AT-4-32			DRAWING NO.: BC 500010		
SHEET: 1 OF 1		ITEM: -		REV.: A	