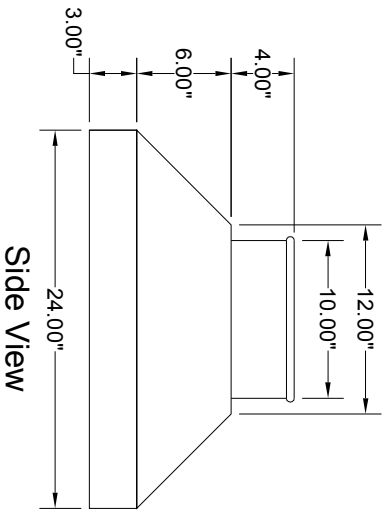
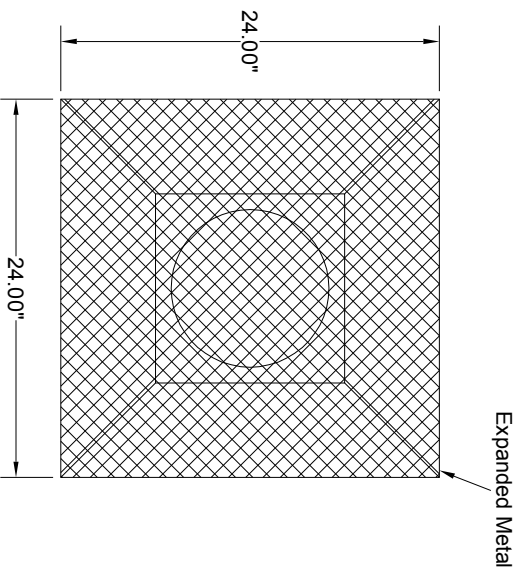


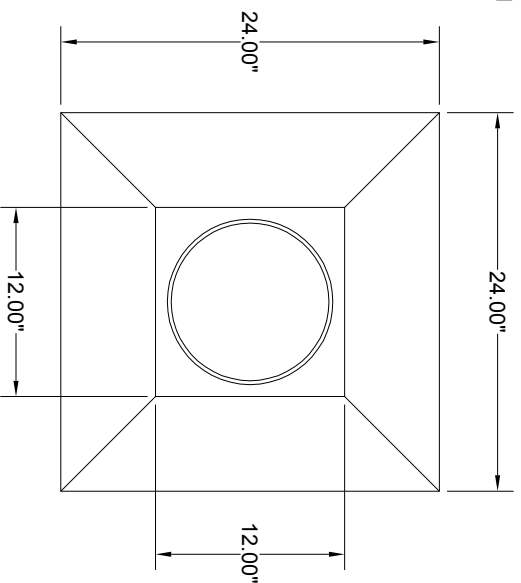
Sirchie Air Louvers



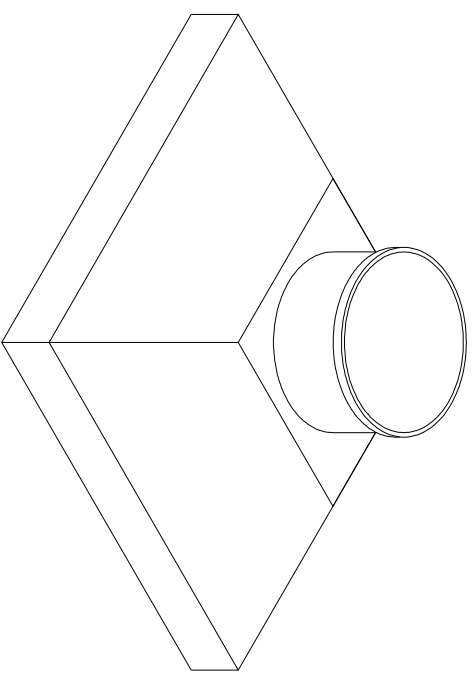
Side View



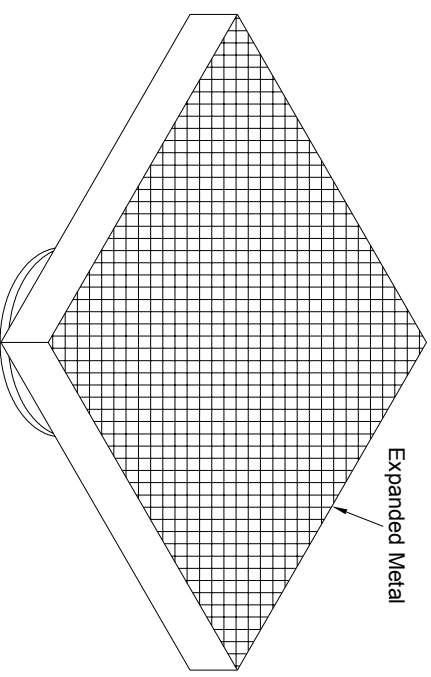
Bottom View



Top View



Isometric - Top View



Isometric - Bottom View

Avani Environmental Intl.
95 Cypress Drive
Youngsville, NC 27596
P# 919-570-2862 F# 919-570-2863



Project: Sirchie - Ambient Collector

Drawing: Air Louvers

Date: 10/1/13 Drawn by: MDT

Sheet No: 1 of 1 Rev.: 0