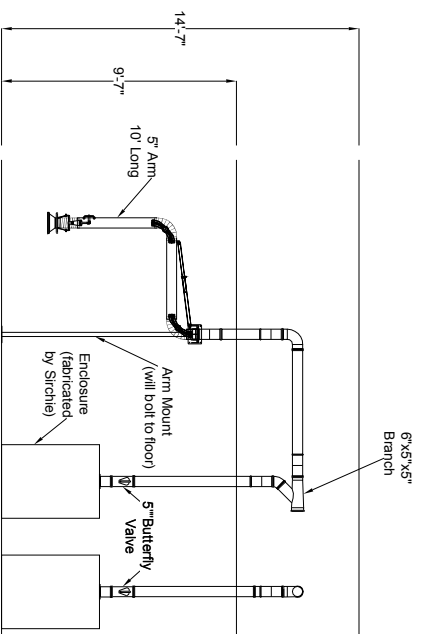
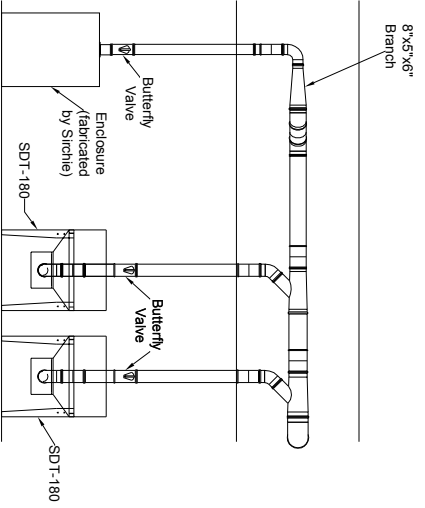


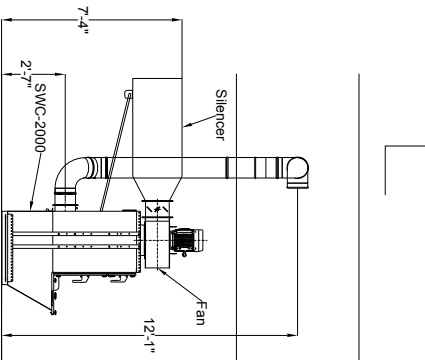
Sirchie - Wet Collector Duct Layout



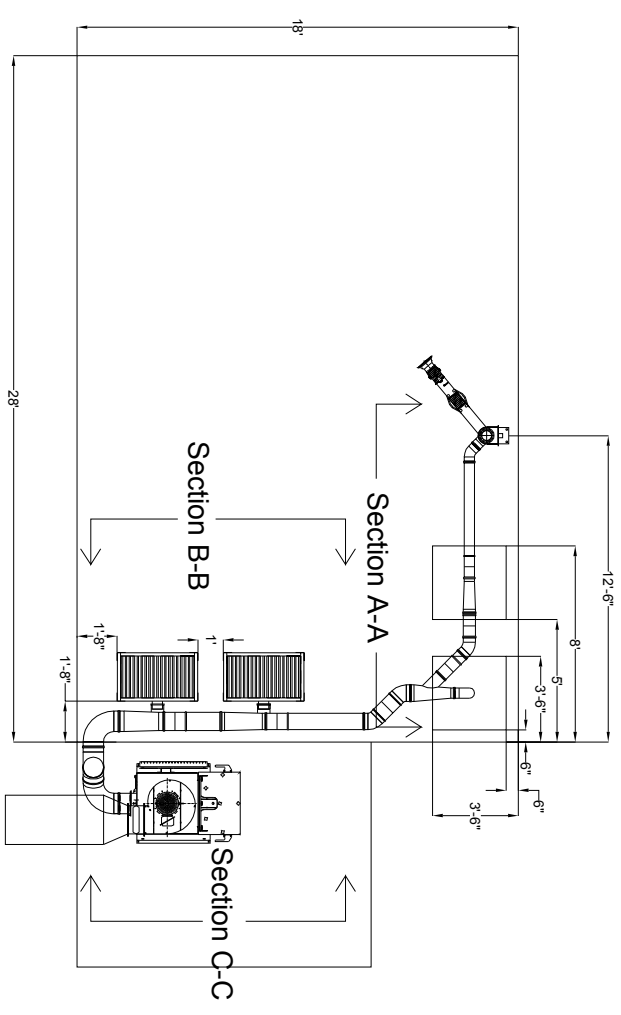
Section A-A



Section B-B



Section C-C



Plan View

Avani Environmental Intl.
95 Cypress Drive
Youngsville, NC 27596
P# 919-570-2862 F# 919-570-2863



Project: Sirchie - Wet Collector
Drawing: Duct Layout
Date: 9/4/13
Sheet No: 1 of 1

Drawn by: MDT
Rev.: 0