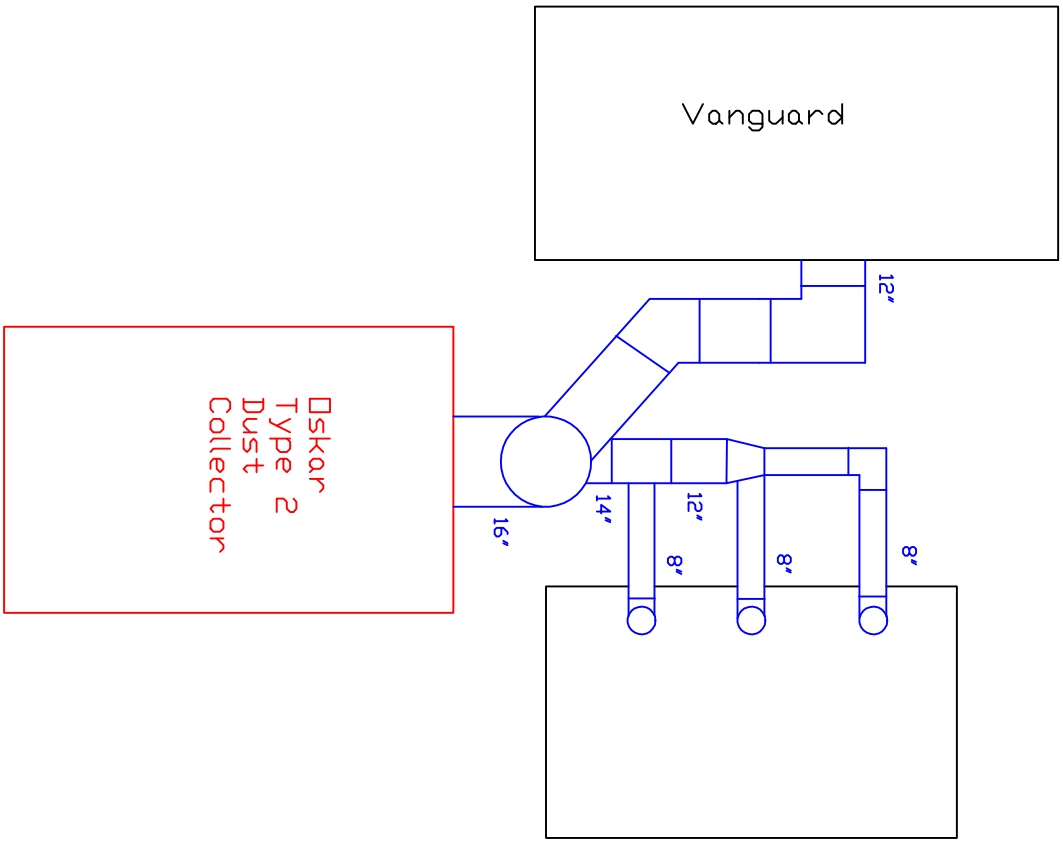


Ductwork for Type 2 Oskar Collector

Plan View



| |
|---|
| Oskar Environmental 102 AG DRIVE Youngsville, NC 27596 Ph: 919-562-7181 F#: 919-562-7182 |
| Oskar |
| Project: Sequoyah HS |
| Drawing: Type 2 duct layout |
| Date: 8/24/10 Drawn by: RAV |