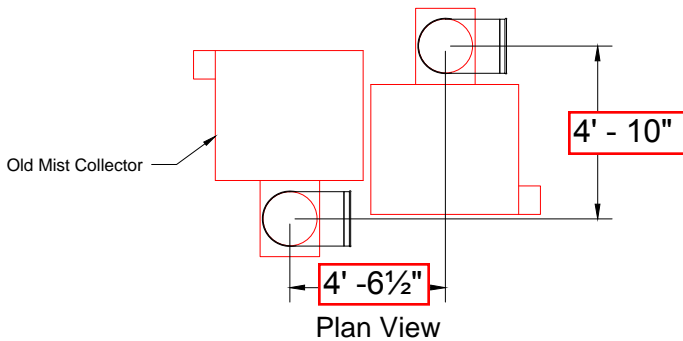
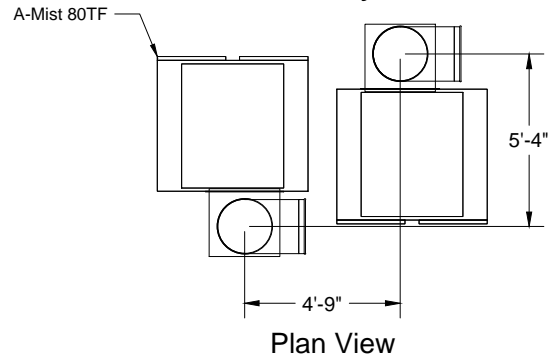


Schaeffler SO21391 Duct Layout

Current Layout

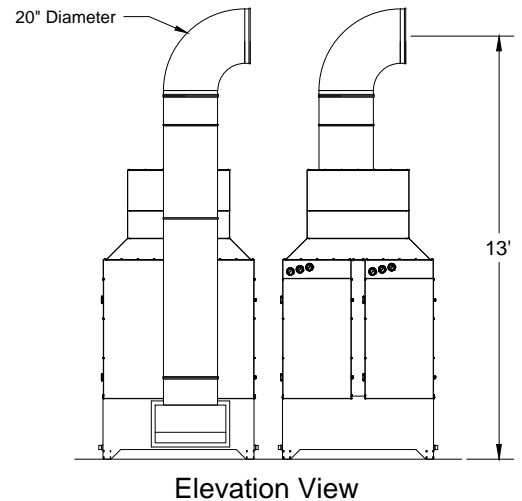


Future Layout



Notes:

1. Clamp together duct to connect to existing duct
2. Avani Environmental standard installation crew is quoted out per day based on the above drawings and approvals. Any changes, modifications, downtime, or inability to perform our work above and beyond the control of Avani Environmental will charge an additional \$1,000 per work day (5 or more hours) per crew above what was initially quoted.



Avani Environmental Intl. Inc.
95 Cypress Drive
Youngsville, NC 27596
P# 919-570-2862 F# 919-570-2863

Avani

Project: Schaeffler SO21391

Drawing: Duct Layout

Date: 5/19/14

Drawn by: MDT

Sheet No: 1 OF 1

Rev 0