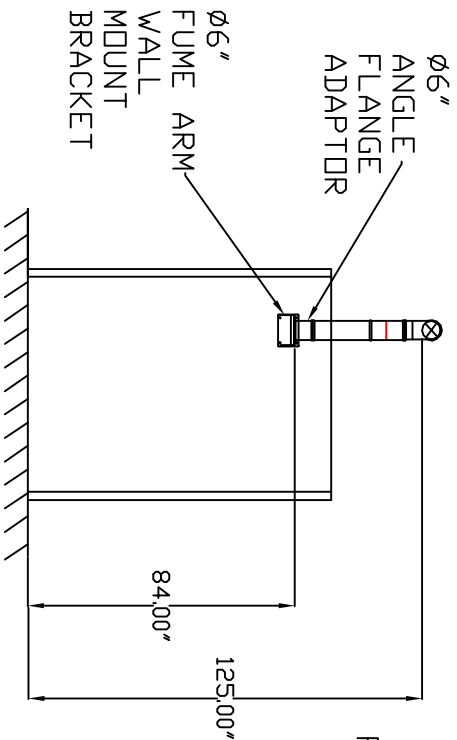
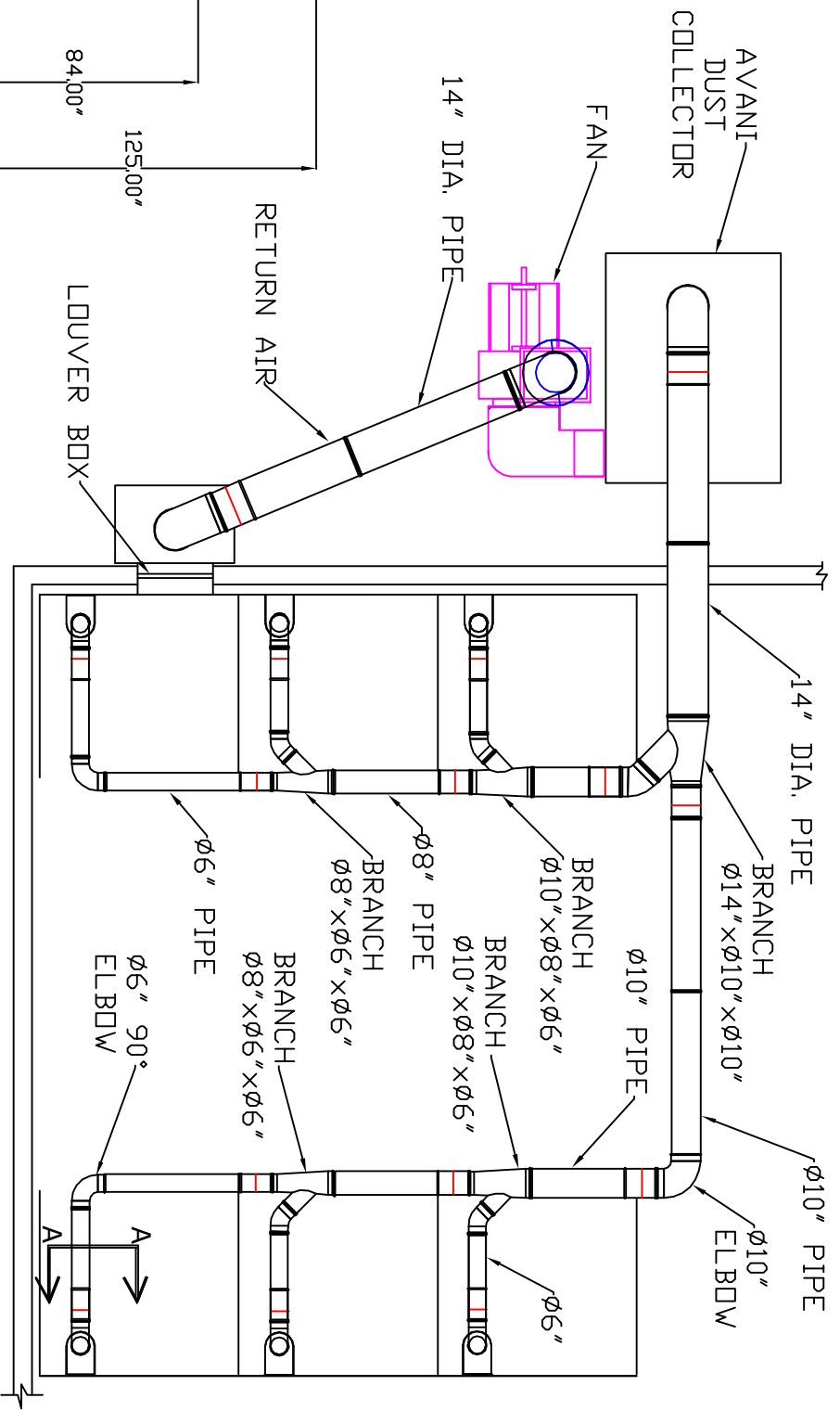


3,060 MIN. CFM
 REQUIREMENT OF
 COLLECTOR WITH
 2,600 FPM DESIGN
 VELOCITY.



SECTION A-A
 TYPICAL WELDING
 BOOTH
 ELEVATION



PLAN VIEW

SALINAS UNION HIGH SCHOOL

Avani Environmental Intl. Inc.	27996	Avani
95 Cypress Drive		
Folsomville, NC	27936	
PH 919-571-8888	FX 919-571-8883	
PROJECT: Salinas Union H.S.		
DRAWING: Take-off & weld booths V/H K&B		
DATE: 09-18-12	DRAWN BY: JTL	
SHEET NO: 1 OF 1		

This document was created with Win2PDF available at <http://www.win2pdf.com>.
The unregistered version of Win2PDF is for evaluation or non-commercial use only.
This page will not be added after purchasing Win2PDF.