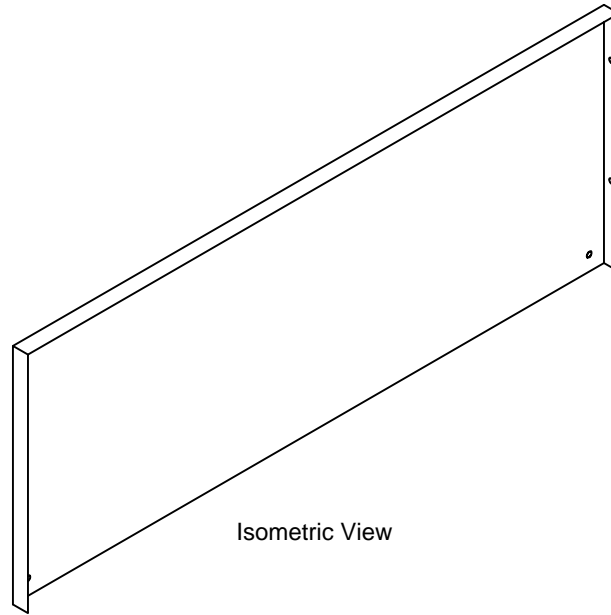
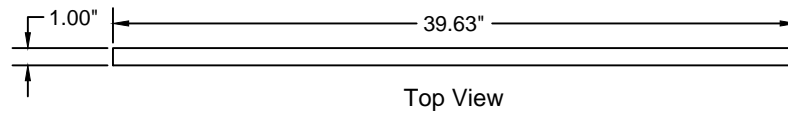


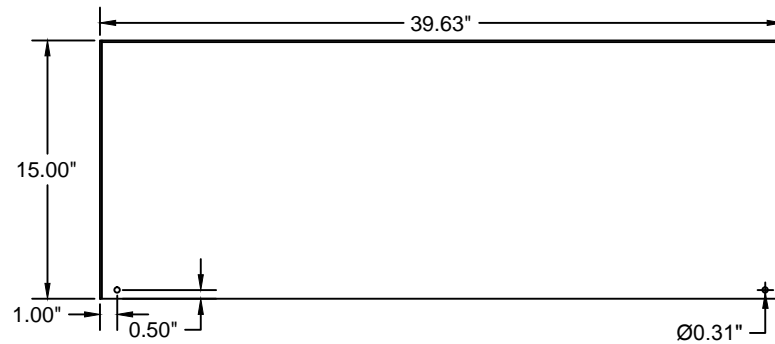
Panel A



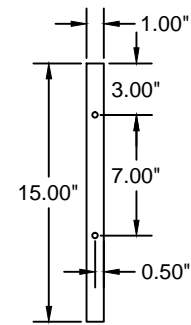
Isometric View



Top View



Front View



Side View