



Date: May 11, 2011

To: Renwik

Project:

Attn:

Recommended Equipment:

Customized Hooded Fume Arms

Avani Environmental Intl. Inc.

95 Cypress Drive

Youngsville, NC 27596

www.avanienvironmental.com

Phone: (919) 570-2862

Fax: (919) 570-2863

Email: info@avanienvironmental.com

www.weldingbooths.com

The drawings, AutoCAD, 3-D Models, and specifications are the property of Avani Environmental Intl. Inc. (AE) and may not be reproduced, distributed, modified, or otherwise used, except provided herein, without the express written permission of AE.

DO NOT SCALE

IF IN DOUBT ASK



Revisions

Rev	Description	Date	Approved
-----	-------------	------	----------

Hanging Arm 4"*8.5'

Diameter: 4"

Length: 8.5'

Weight: 23.1 lbs (net)

Arm Construction: Two galvanized steel tubes, three pieces of flex hose at joints, aluminum hood, heavy gauge steel swivel base, and support spring.

Arm Adjustment: Externally supported, adjustments are quickly done at the joints.

Hood: 10" diameter round aluminum hood.

Damper: Internal with external adjustment.

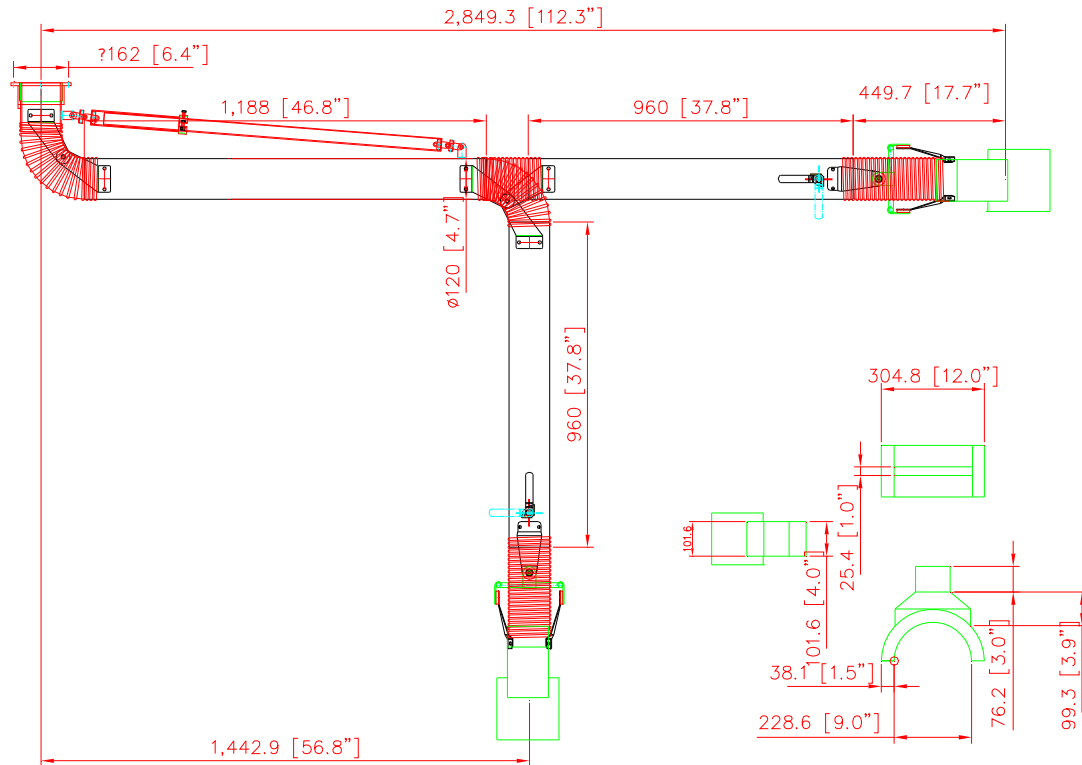
Finish: Powder coated.

Hose: Rated at 200°F

Accessories: Mounting bracket and light kit.

Mounting Bracket:

Warranty: Limited two years from date of purchase.



Packing Size:	130 x 59 x 30.5 cm 51.2 x 23.2 x 12 inch
N.W. / G.W.:	10.5 / 15.5 kgs 23.1 / 34.2 lbs

AVANI ENVIRONMENTAL INTL. INC. Sales Department
 95 Cypress Drive (919) 570-2862
 Youngsville, NC 27596 info@avanienvironmental.com

Date	Name	Part Number:	Title:
2010-09-23	***	**	ARM 1025
Checked by:			

The drawings, AutoCAD, 3-D Models, and specifications are the property of Avani Environmental Intl. Inc. (AE) and may not be reproduced, distributed, modified, or otherwise used, except provided herein, without the express written permission of AE.

Size	Scale	Drawing Number:
A	1 = xx	2010.09.23

