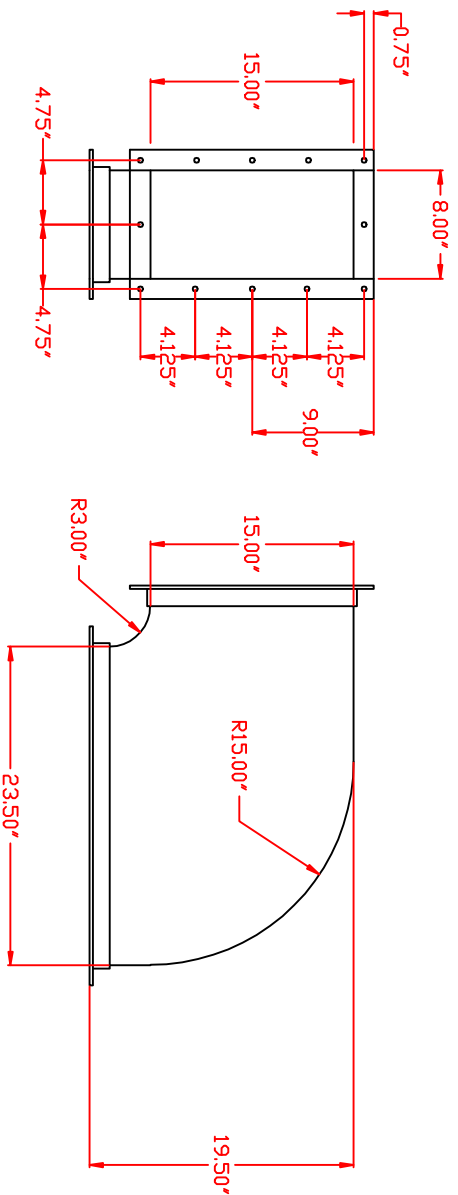


Regency Sales for AEM ROBD-40 Unit Transition



Notes:

- 1) All flanges are 1 1/2"
- 2) Transitions are 16 gauge sheet metal
- 3) All bolt holes are 7/16"

