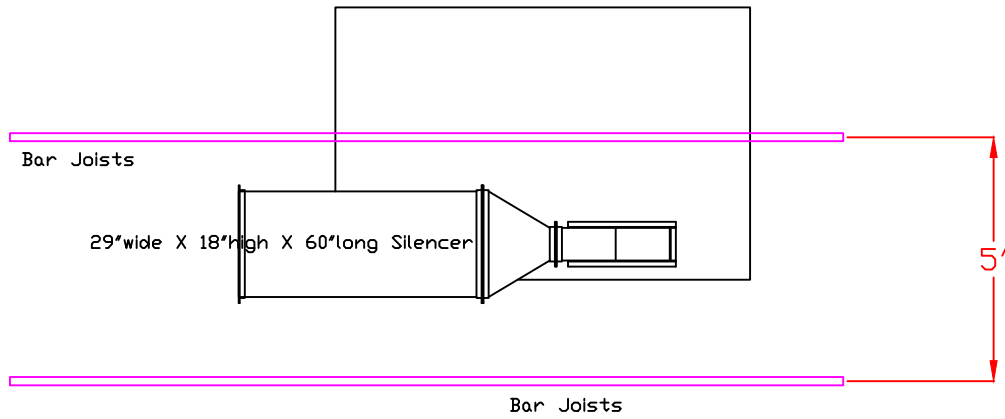
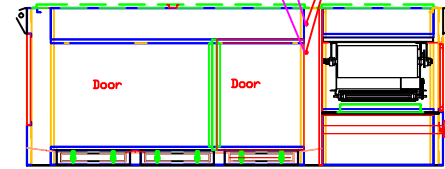


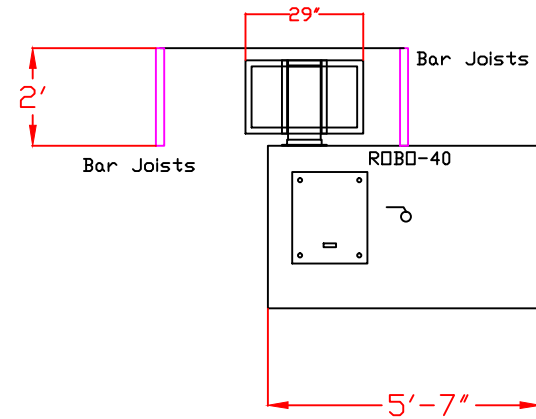
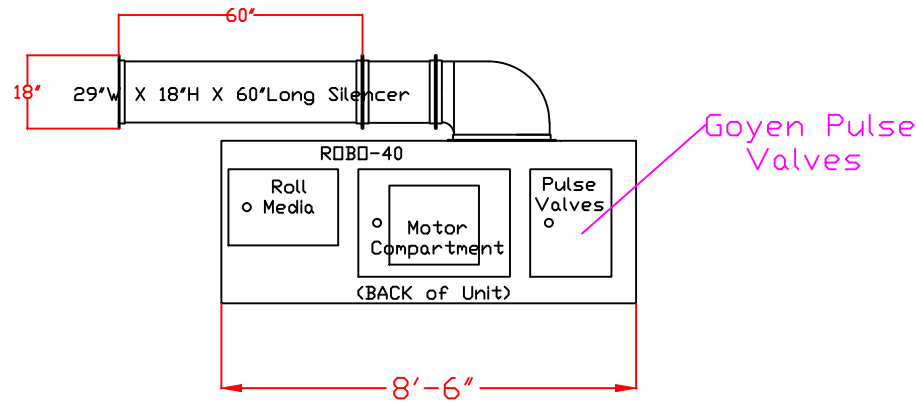
Regency Sales ROBO-40 With Silencer



Low Pressure
High Pressure
Magnehelic Taps



Front Veiw



Avani Environmental Intl.
95 Cypress Drive
Youngsville, NC 27596
P# 919-570-2862 F# 919-570-2863

Avani

Project: Regency Sales	
Drawing: ROBO-40	
Date: 3/20/15	Drawn by: DJT
Sheet No: 1 of 1	Rev.: 1