



Date: May 12, 2011

Project: Welding School

To: Randolph Community College

Attn: Mr. Chuck Davis

Recommended Equipment:

(6) sets standard WB-6055 (2 booths side-by-side) with 5HP, 4 cartridges top mount dust collector on booth top: 3/4" conduit, 1-1/2" vacuum port, HEPA, 4"D x 8"H walkway

(4) sets smaller booth WB-604.55 (2 booths side-by-side) with 5HP, 4 cartridges top mount dust collector on booth top: 3/4" conduit, 1-1/2" vacuum port, HEPA, 4"D x 8'H walkway

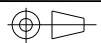
Avani Environmental Inc.
95 Cypress Drive
Youngsville, NC 27596
www.avanienvironmental.com

Phone: (919) 570-2862
Fax: (919) 570-2863
Email: info@avanienvironmental.com
www.weldingbooths.com

The drawings, AutoCAD, 3-D Models, and specifications are the property of Avani Environmental Inc. (AE) and may not be reproduced, distributed, modified, or otherwise used, except provided herein, without the express written permission of AE.

DO NOT SCALE

IF IN DOUBT ASK

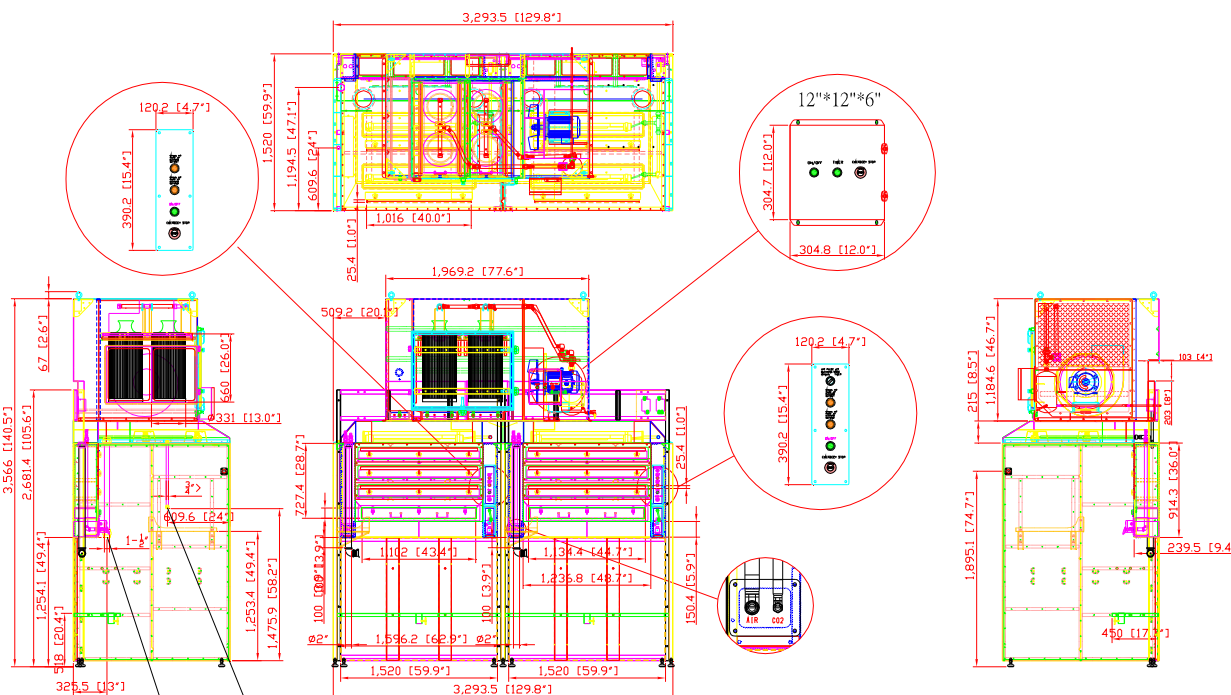


Revisions			
Rev	Description	Date	Approved

WB-6055 PREMIER WELDING BOOTH SPECIFICATIONS for Randolph Community College

- ***Hood Dimensions: 129.5" x 60" x 8.5" (for 2 hooddrafts)
- Back Draft Dimensions: 48.6" x 29.9" x 9.2"
- Hood Service Panel: Removable 31 7/8" x 31 7/8" service panel
- Back Draft Adjustable Inlet Slots: (3) 1" x 44.7"
- Hood Adjustable Inlet Slots: (2) 1" x 39.9"
- Recessed Lights: (2) Explosion Proof Lights (110V, Single Phase, 60 Hz)
- Adjustable Knobs: (15) 2 7/8" Five Star Twists
- Clean Out Drawer: 5.5" x 44.7" with (3) hand twist locks
- Back Draft Shelf: 6" x 44.7"
- Adjustable Level System: (6) 2 7/8" Feet (maximum adjustment 5")
- Support Structure: 1 7/8" x 4" steel stock welded
- Panel Construction: 14-gauge welded steel single wall with cross and up bracing
- Rear Support: (?) 7/8" x 7/8" ?? degree gussets for overhead piping and accessories
- Welding Curtain Supports: (2) welding curtain brackets
- Lifting Lugs: (4) Hood mounted lifting lugs to set and move hood or booth
- Fume Arm Ceiling Supports & Brackets: Built into the hood
- Fume Arm Cover Plates: (2) cover plates (6 bolt pattern) to match optional fume arm
- Powder Coated: Oskar Safety Blue Standard (custom colors available)
- Nine Piece Configuration: (3) side panels, (2) back panels, (2) backdraft assembly, (2) hooddraft assembly to dual booth side-by-side.
- Booths can be mounted back-to-back, side-to-side or both options
- Electrical Outlets: (2) 110V Outlets (additional single or three phase outlets available)
- Light Switch: For overhead lights
- Compressed Air Connection
- CO2 or Gas Connection: (additional gas lines or compressed lines available)
- Double Wall Construction (welded)
- Welding Nuts: For wire feeder or welder bracket or brackets
- ***CO2 bracket
- ***Adjustable Rear Shelf: 62.7"W x 17.6"D x 1.1"H (solid with 2" hole drilled)
- ***Conduit: (1) 3/4" @ left side panel
- ***Vacuum Port: (1) 1-1/2" @ left side panel
- ***HEPA

- OPTIONS**
- Welded Nuts: Optional locations for J-Hooks
 - Corner Shelves
 - Viewing Windows
 - Custom Welding Brackets
 - Foot Lockers
 - Fixtures, Lazy Suzans
 - Any option that can fit inside the booth or on the booth



3/4" conduit
1-1/2" vacuum port

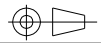
AVANI ENVIRONMENTAL INTL. INC. Sales Department
95 Cypress Drive (919) 570-2862
Youngsville, NC 27596 info@avanienvironmental.com

Date	Name	Part Number:	Title:
2011-05-12	***	Randolph	WB-5x5P (2sets) with SDC-B-5-4
Checked by:			
The drawings, AutoCAD, 3-D Models, and specifications are the property of Avani Environmental Intl. Inc. (AE) and may not be reproduced, distributed, modified, or otherwise used, except provided herein, without the express written permission of AE.		Size B	Scale 1 =65

Drawing Number: WB-5-5P (two S) H:12'
--

DO NOT SCALE

IF IN DOUBT ASK

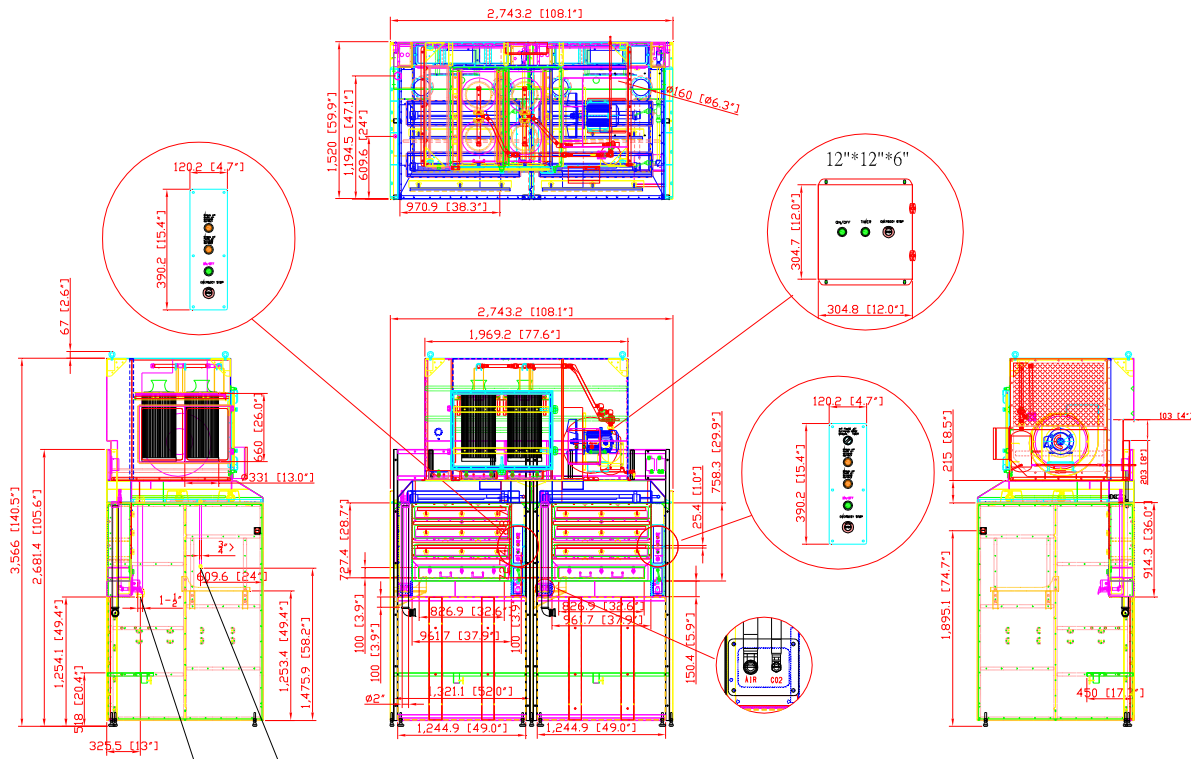


Revisions			
Rev	Description	Date	Approved

WB-604.55-RCC PREMIER WELDING BOOTH SPECIFICATIONS for Randolph Community College

- ***Hood Dimensions: 107.8" x 60" x 8.5" (for 2 hoodrafts)
- ***Back Draft Dimensions: 37.9" x 29.9" x 9.2" (incl. clean out drawer)
- Hood Service Panel: Removable 7" x 23" service side panels
- ***Back Draft Adjustable Inlet Slots: (3) 1" x 33.9"
- ***Hood Adjustable Inlet Slots: (2) 1" x 38.3"
- Recessed Lights: (2) Explosion Proof Lights (110V, Single Phase, 60 Hz, 20W)
- Adjustable Knobs: (15) 2 ?" Five Star Twists
- ***Clean Out Drawer: 3.9" x 32.6" (ID) with (3) hand twist locks
- ***Back Draft Shelf: 6" x 32.6"
- Adjustable Level System: 2 ?" Feet (maximum adjustment 5")
- Support Structure: 1 ?" x 4" steel stock welded
- Panel Construction: 14-gauge welded steel single wall with cross and up bracing
- Welding Curtain Supports: (2) welding curtain brackets
- Forklifting Lugs: total (2) 7.9"W x 3.1"H x 60"D forklifting lugs for dual booth side-by-side to set and move hood / booth / top mounted dust collector
- Fume Arm Ceiling Supports & Brackets: Built into the hood
- Fume Arm Cover Plates: (2) cover plates (6 bolt pattern) to match optional dia. 6" fume arm
- Powder Coated: Oskar Safety Blue Standard (custom colors available)
- Nine Piece Configuration: (3) side panels, (2) back panels, (2) backdraft assembly, (2) hooddraft assembly to dual booth side-by-side. (Note: hood draft assembly separated apart from the top mounted dust collector prior to shipment.)
- Booths can be mounted back-to-back, side-to-side or both options
- Electrical Outlets: (2) 110V Outlets (additional single or three phase outlets available)
- Light Switch: For overhead lights
- Compressed Air Connection
- CO2 or Gas Connection: (additional gas lines or compressed lines available)
- Double Wall Construction (welded)
- ***CO2 bracket
- ***Adjustable Rear Shelf: 52"W x 17.6"D x 1.1"H (solid with 2" hole drilled)
- ***Conduit: (1) 3/4" @ left side panel
- ***Vacuum Port: (1) 1-1/2" @ left side panel
- ***HEPA

- OPTIONS**
- Welded Nuts: Optional locations for J-hooks
 - Welding Nuts: For wire feeder or welder bracket
 - Adjustable Rear Shelf (solid, grated or cutting table)
 - Corner Shelves
 - Viewing Windows
 - Custom Welding Brackets
 - Foot Lockers
 - Fixtures, Lazy Suzans
 - Any option that can fit inside the booth or on the booth



3/4" conduit
1-1/2" vacuum port

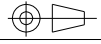
AVANI ENVIRONMENTAL INTL. INC. Sales Department
95 Cypress Drive
Youngsville, NC 27596
(919) 570-2862
info@avanienvironmental.com

Drawn by:	Date	Name	Part Number: Randolph
Checked by:	2011-05-12	***	
The drawings, AutoCAD, 3-D Models, and specifications are the property of Avani Environmental Intl. Inc. (AE) and may not be reproduced, distributed, modified, or otherwise used, except provided herein, without the express written permission of AE.			

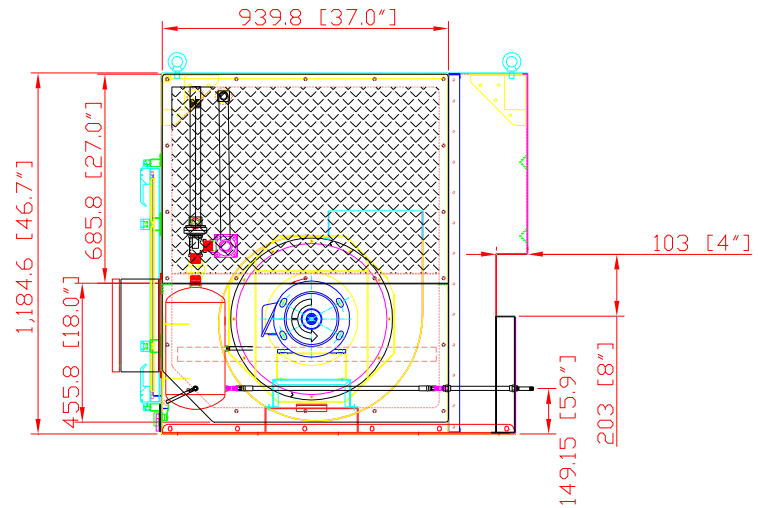
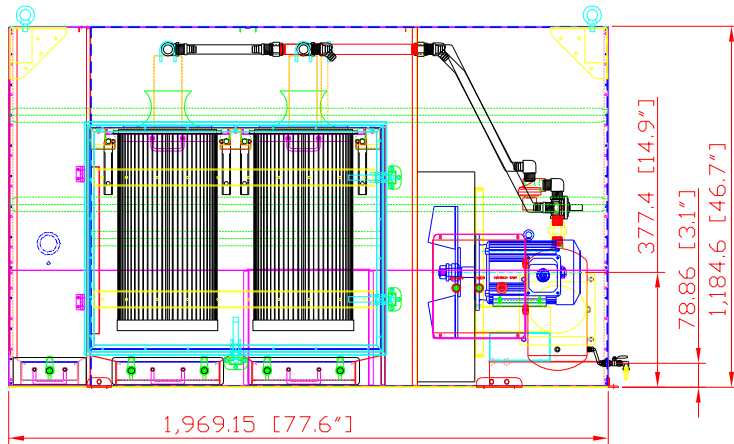
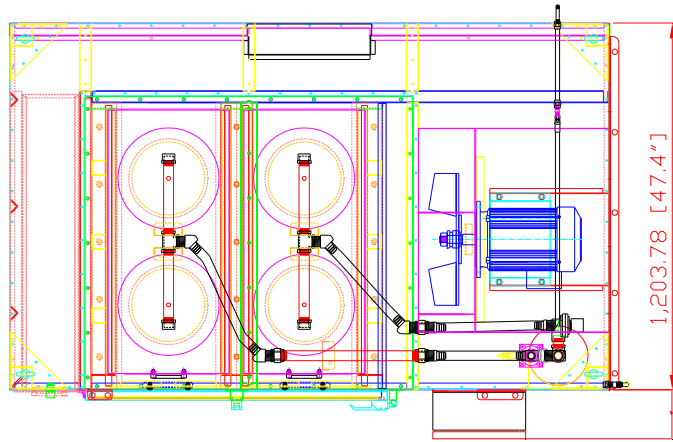
Title:	WB-4.5x5P-RCC (2sets) with SDC-B-5-4-RCC	
Size	Scale	Drawing Number:
B	1 =65	WB-4.5-5P (two S) H:12'

DO NOT SCALE

IF IN DOUBT ASK



Revisions			
Rev	Description	Date	Approved

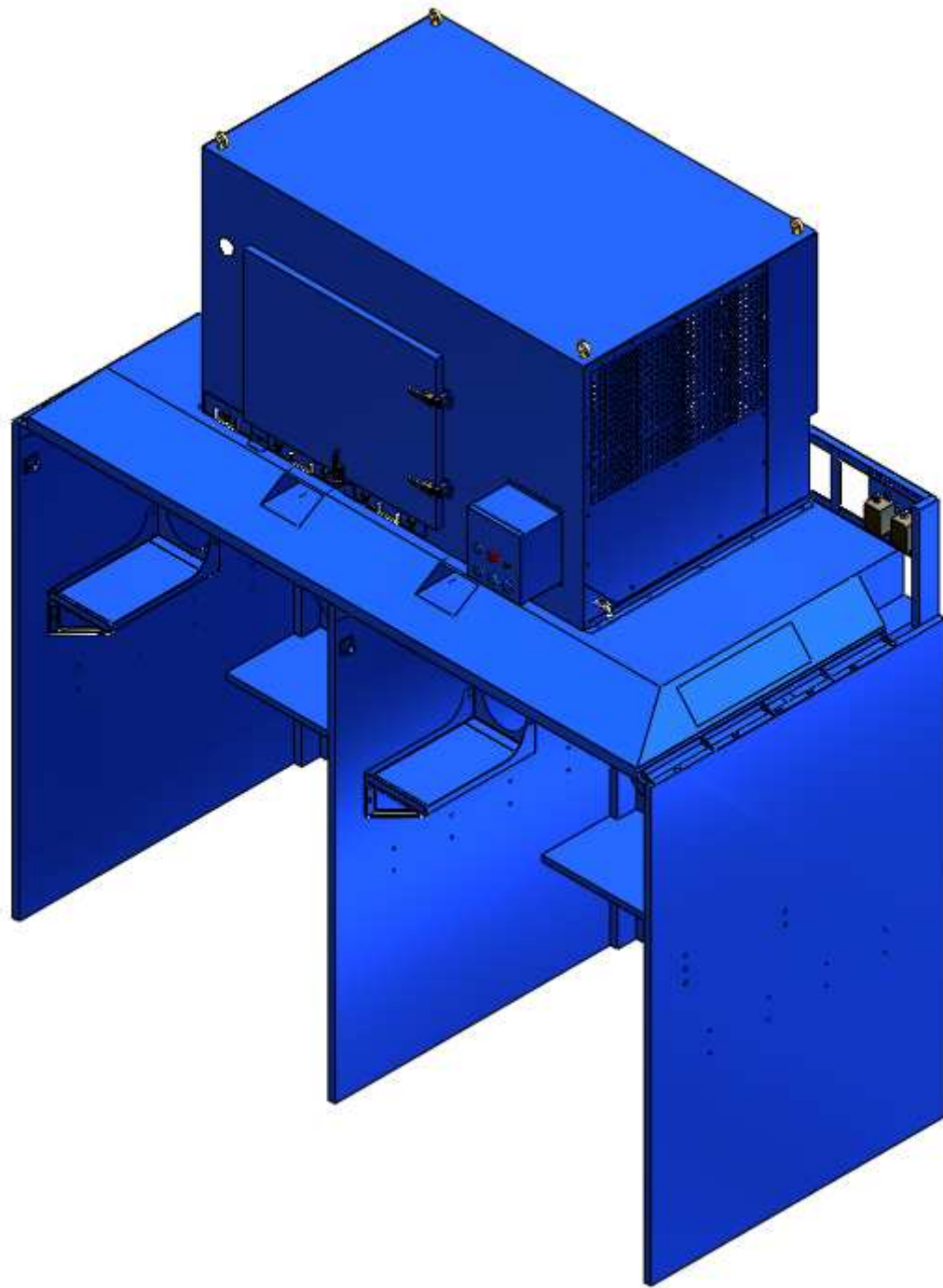


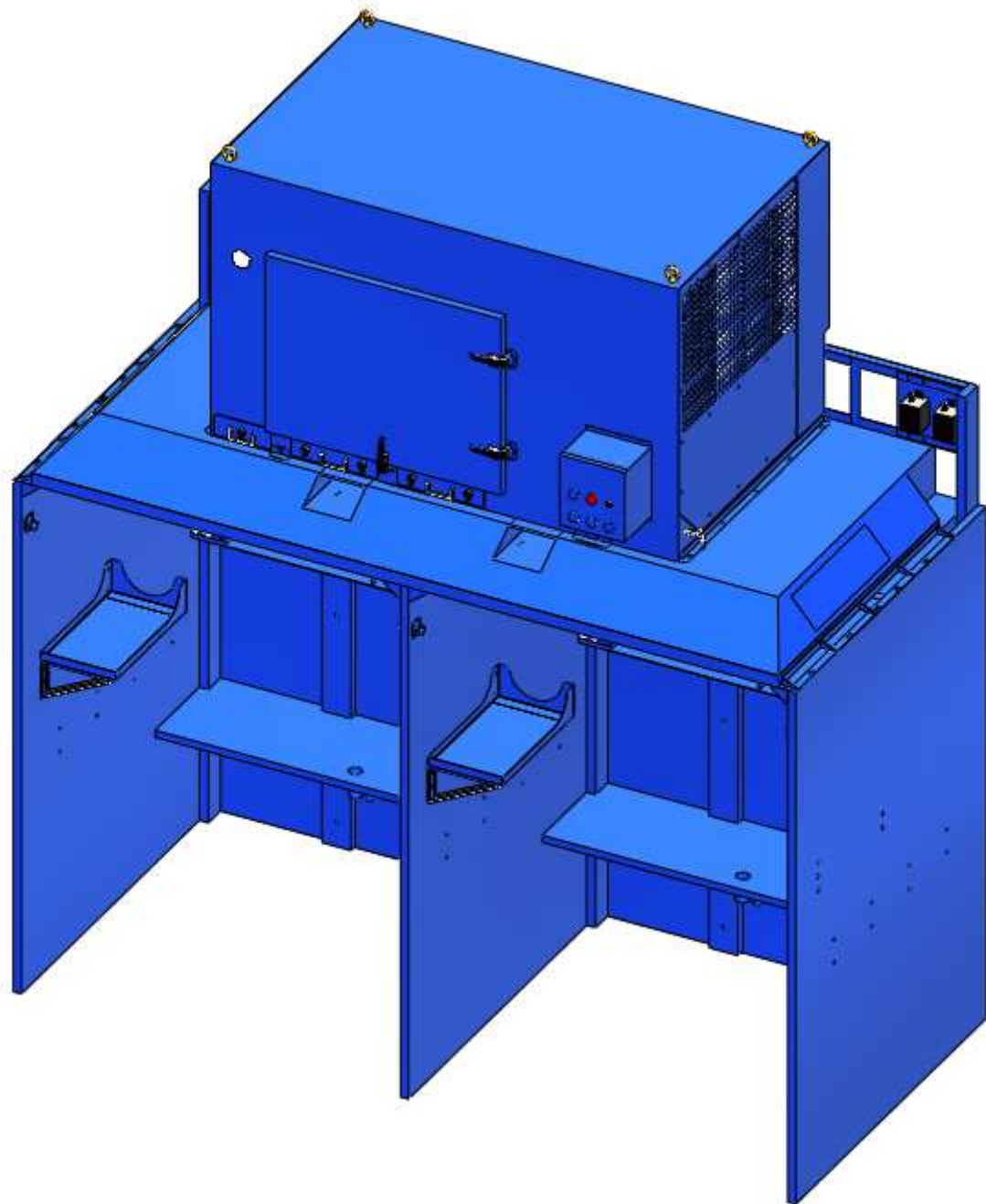
AVANI ENVIRONMENTAL INTL. INC. Sales Department
 95 Cypress Drive
 Youngsville, NC 27596

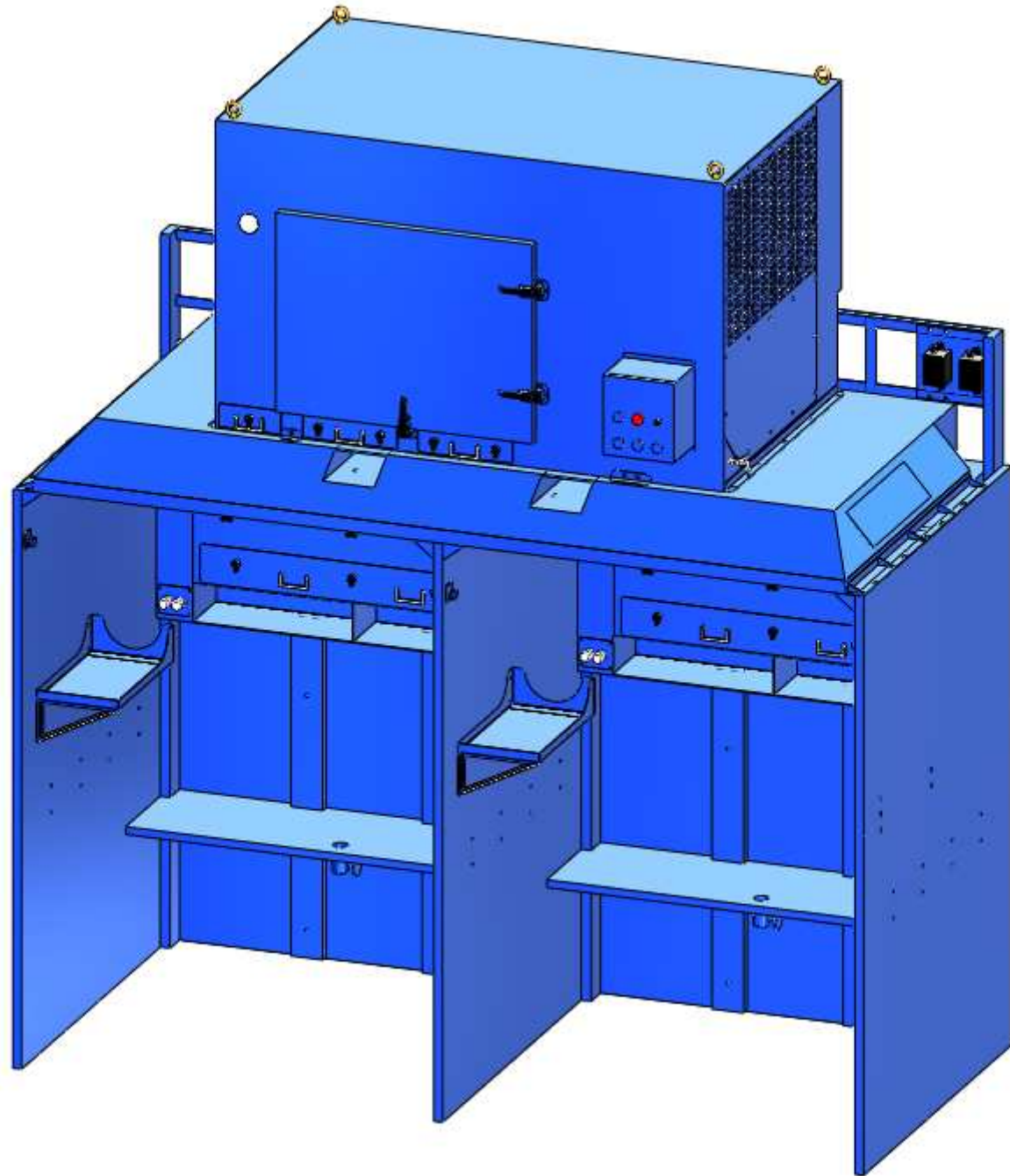
(919) 570-2862
 info@avanienvironmental.com

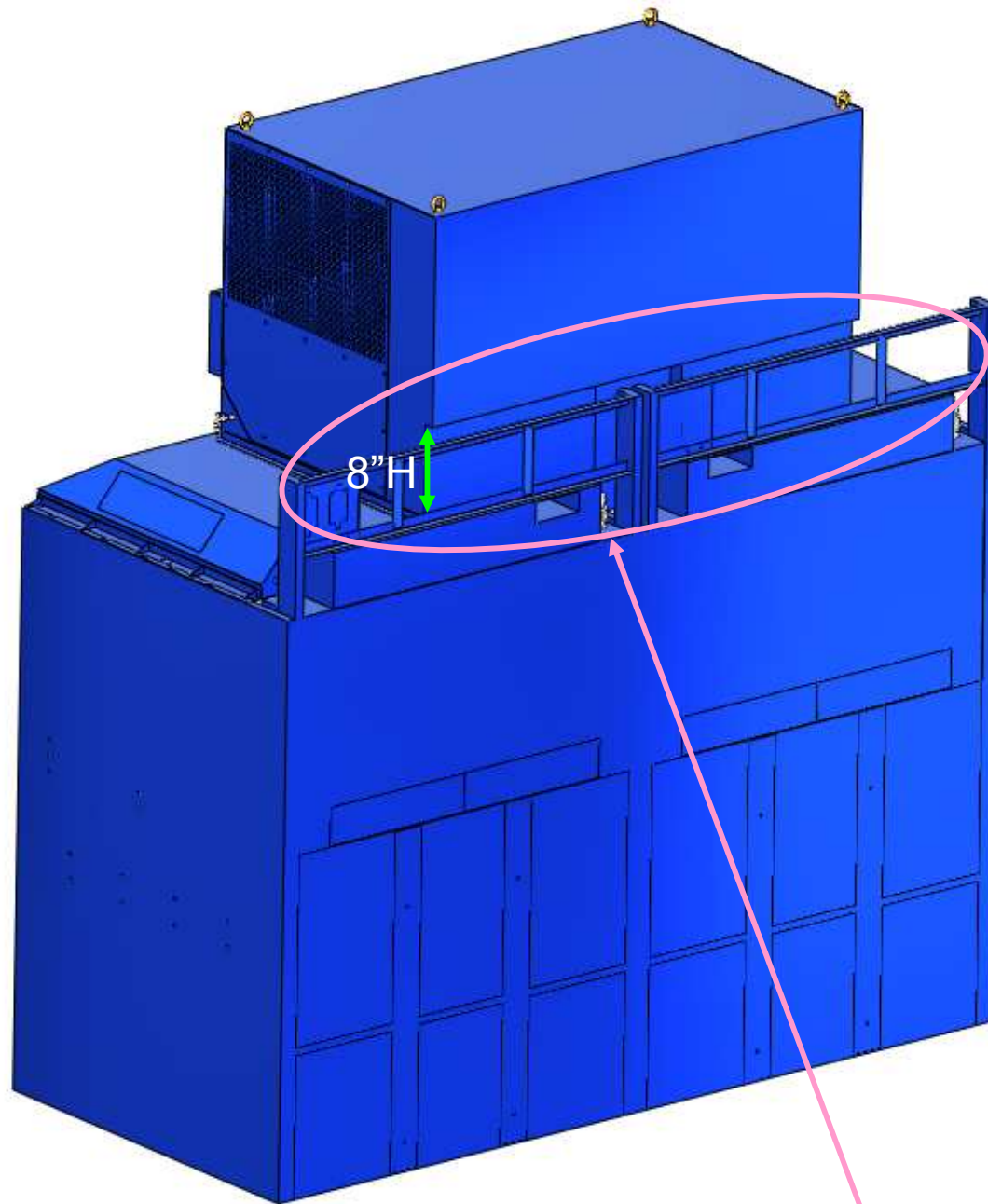
Drawn by:	Date	Name	Part Number: Randolph
Checked by:	2011-05-12	***	
The drawings, AutoCAD, 3-D Models, and specifications are the property of Avani Environmental Intl. Inc. (AE) and may not be reproduced, distributed, modified, or otherwise used, except provided herein, without the express written permission of AE.			

Title: WB-4.5x5P-RCC (2sets) with SDC-B-5-4-RCC		
Size B	Scale 1 = 2	Drawing Number: WB-4.5-5P (two S) H:12'









4\"D x 8\"H walkway against wall for air pipes and cables going through

