

INDUSTRIAL AIR QUALITY, INC.

102 AG DRIVE

YOUNGSVILLE, NC 27596

PO #04-15903

NOT!!!

MAP WILL FABRICATE FROM APPROVED MAP SUBMITTAL PRINTS ONLY
IT IS THE RESPONSIBILITY OF THE CONTRACTOR AND/OR ENGINEER TO
CHECK AND CORRECT ALL ERRORS ON SUBMITTAL DWGS. ALL COSTS
INCURRED DUE TO CHANGES MADE AFTER APPROVED DWGS HAVE
BEEN RECEIVED WILL NOT BE THE RESPONSIBILITY OF MAP.

*****PLEASE SIGN*****

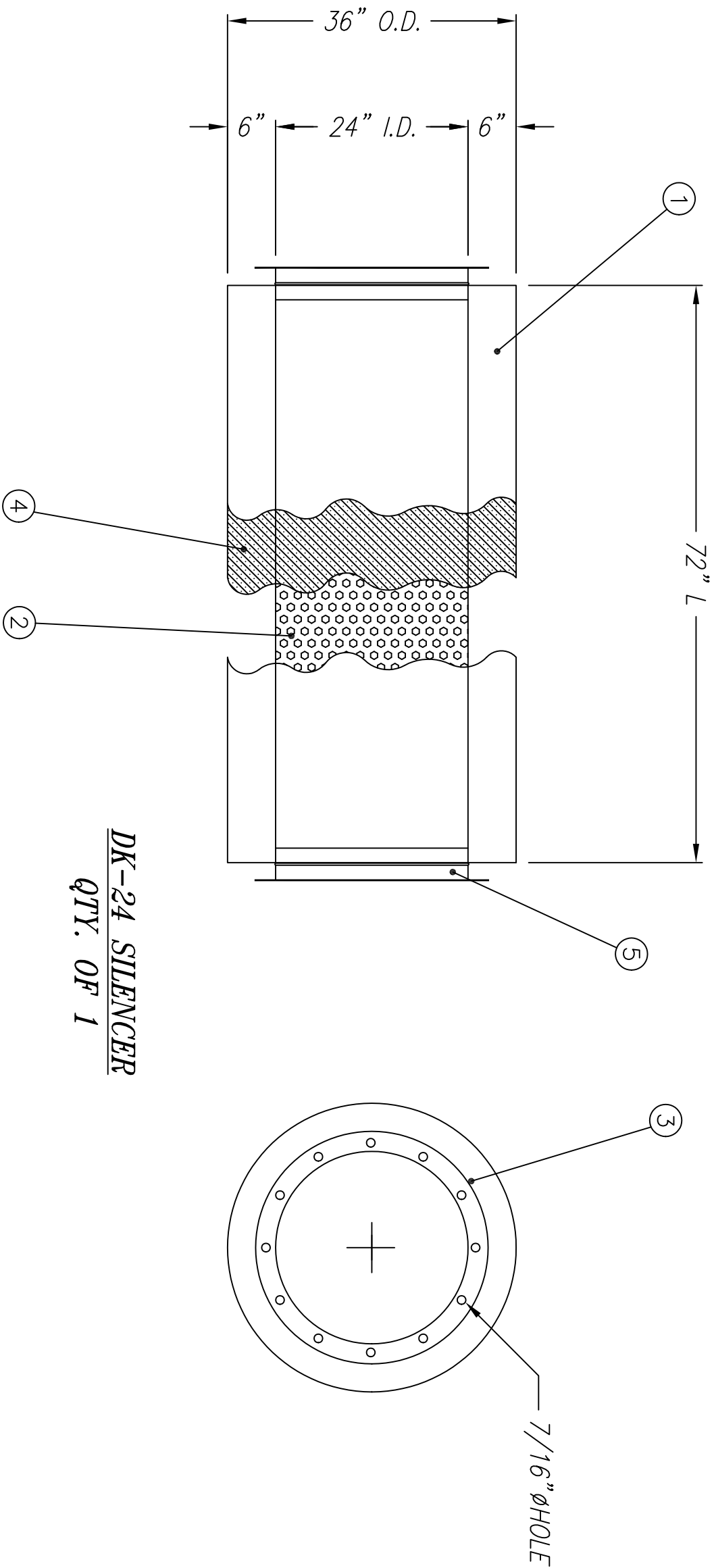
<p style="font-size: 1.5em; font-weight: bold; margin: 0;">ISSUED</p> <p style="font-size: 1.2em; margin: 0;">08/17/04</p> <p style="font-size: 0.8em; margin: 0;">McGill AirPressure Corporation FABRICATION RELEASE</p>	<p>APPROVAL STATUS:</p> <p>AS IS <input type="checkbox"/></p> <p>AS NOTED <input type="checkbox"/></p> <p>REUSE & RESUBMIT FOR APPROVAL <input type="checkbox"/></p>
<p>CUSTOMER REPRESENTATIVE _____</p> <p>DATE _____</p>	<p>TITLE _____</p> <p>COMPANY NAME _____</p>
<p>NOT FOR CONSTRUCTION</p> <p>1. THESE DRAWINGS ARE FOR COORDINATION OF LAYOUT DESIGN AND OVERALL DIMENSIONAL ACCURACY ONLY.</p> <p>2. CHECK AND CONFIRM LAYOUT AND ALL BASIC DIMENSIONS.</p> <p>3. INDIVIDUAL PANEL DIMENSIONS WILL BE ADDED UPON RECEIPT OF APPROVED DRAWINGS.</p>	

<p>INDUSTRIAL AIR QUALITY, INC. 102 AG DRIVE YOUNGSVILLE, NC 27596 PO#04-15903</p>	<p style="font-size: 1.2em; font-weight: bold;">McGill AirPressure Corporation</p> <p>24000 FAIRWOOD AVE COLUMBUS, OH 43207 (614) 443-5520</p>	<p>This drawing is loaned on the condition that it is the property of McGill AirPressure Corporation, subject to recall on request, and must not be used in any way detrimental to McGill AirPressure Corporation. The items shown may be patented. Adaption or use may constitute infringement.</p> <p style="font-size: 0.8em; text-align: center;">UNLESS OTHERWISE SPECIFIED ALL DIMENSIONS ARE IN INCHES</p> <p>Scale: N.T.S. Tolerances: .xx DECIMALS ±.06 FRACTIONS ±1/8 ANGLES ±2°</p> <p>DO NOT SCALE DRAWING</p>	<table border="1" style="width: 100%; border-collapse: collapse;"> <tr> <th style="width: 5%;">NO.</th> <th style="width: 10%;">DATE</th> <th style="width: 10%;">BY</th> <th style="width: 75%;">DESCRIPTION OF REVISION</th> </tr> <tr><td> </td><td> </td><td> </td><td> </td></tr> <tr><td> </td><td> </td><td> </td><td> </td></tr> <tr><td> </td><td> </td><td> </td><td> </td></tr> <tr><td> </td><td> </td><td> </td><td> </td></tr> <tr><td> </td><td> </td><td> </td><td> </td></tr> </table>	NO.	DATE	BY	DESCRIPTION OF REVISION																				
NO.	DATE	BY	DESCRIPTION OF REVISION																								
<p>Job# C-0139-8 Sheet# 1 OF 2</p> <p>Drawing# C0139801.DWG Drawn By: ST</p> <p>Date: 08/17/04 Checked By:</p>																											

C-0139-8

PLEASE VERIFY ALL DIMENSIONS AND LOCATIONS!!!

SILENCER COMPONENT CHART	
PART NO.	PART DESCRIPTION:
1	SOLID OUTER SHELL: 18ga.
2	PERFORATED LINER: 22 ga.
3	INSULATION END
4	INSULATION: 1.55 Fiberglass
5	Standard iron ring with holes on both end.



DK-24 SILENCER
QTY. OF 1

NO.	DATE	BY	DESCRIPTION OF REVISION

This drawing is loaned on the condition that it is the property of McGill AirPressure Corporation, subject to recall on request, and must not be used in any way detrimental to McGill AirPressure Corporation. The items shown may be patented. Adaption or use may constitute infringement.

UNLESS OTHERWISE SPECIFIED
 ALL DIMENSIONS ARE IN INCHES

Scale: N.T.S. Tolerances .xx DECIMALS ±.06
 FRACTIONS ±1/8
 ANGLES ±2'

DO NOT SCALE DRAWING

McGill AirPressure Corporation

24000 FAIRWOOD AVE
 COLUMBUS, OH 43207
 (614) 443-5520

INDUSTRIAL AIR QUALITY, INC.
 102 AG DRIVE
 YOUNGSVILLE, NC 27596
 PO#04-15903

Job# C-0139-8 Sheet# 2 OF 2
 Drawing# C0139802.DWG Drawn By: ST
 Date: 08/17/04 Checked By:

C-0139-8