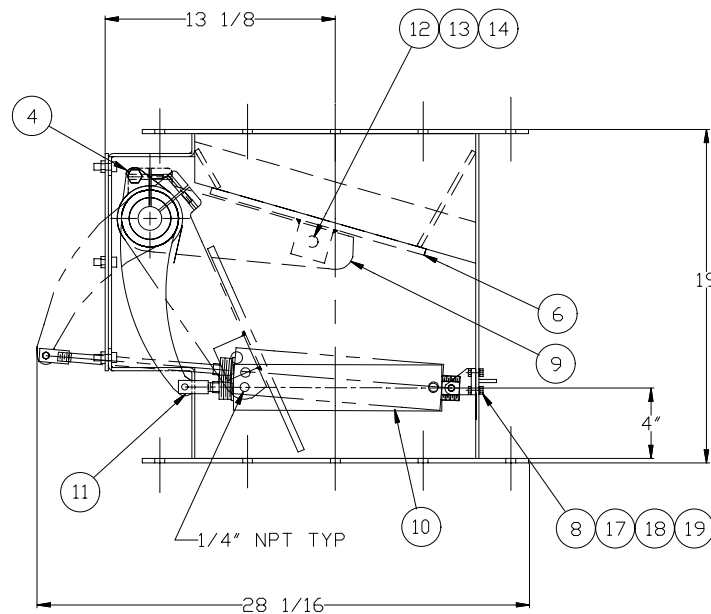
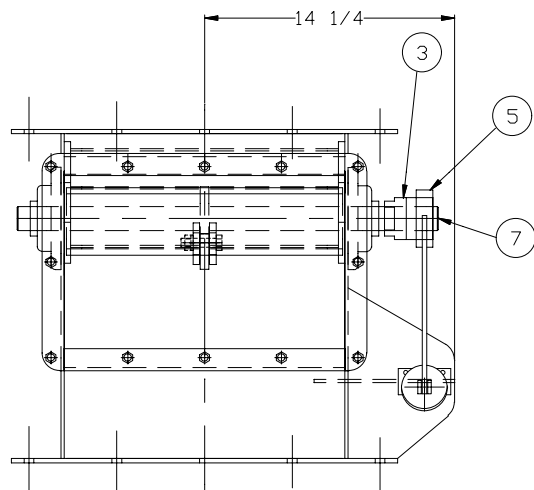
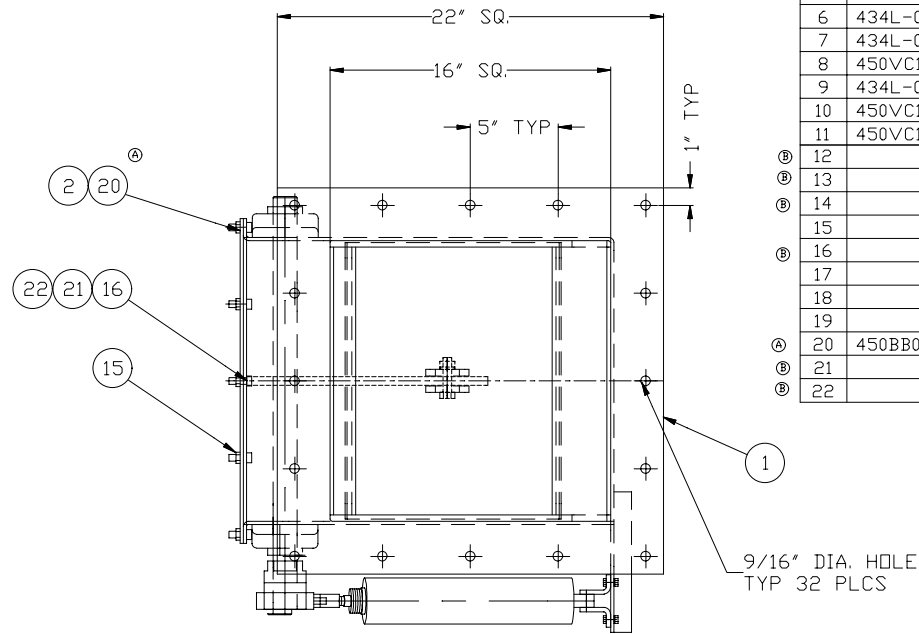


MATERIAL LIST

ITEM	PART NO.	DESCRIPTION	QTY.
1	434L-011	16" DUMP VALVE BODY	1
2		SIDE COVER (PART OF ITEM #1)	1
3	450FB028	TRANTORQUE	1
4	450AA068	1-3/8" FLANGE BEARING	2
5	434L-010	ACTUATING LEVER	1
6	434L-007	DUMP PLATE	1
7	434L-008	SHAFT	1
8	450VC104	PIVOT BRACKETS W/PIN & SNAP RING	1
9	434L-009	LEVER ARM	1
10	450VC140	AIR CYL. 2-1/2" BORE 8" STROKE	1
11	450VC103	PISTON ROD CLEVIS W/PIN & SNAP RING	1
ⓑ	12	5/8-11X 2" LG. BOLT	1
ⓑ	13	5/8 LOCKWASHER	1
ⓑ	14	5/8 NUT	1
	15	3/8 NUT	12
ⓑ	16	5/16-18 X 3" LG. H.H.C.S.	1
	17	1/4-20 X 3/4" LG. H.H.C.S.	4
	18	1/4 LOCKWASHER	4
	19	1/4 NUT	4
ⓐ	20	450BB030 GASKET - STRIP - 1/8 X 5/8 X 57" LG.	1
ⓑ	21	5/16 LOCKWASHER	1
ⓑ	22	5/16-18 NUT	1



REVISIONS			
B	4-14-99	IT'S 12,13,14 WERE 1/2,116 WAS 1/4-20, ADD IT'S 21,22	G.J.L.
A	8-18-98	ADDED ITEM 20	BB
WM. W. MEYER & SONS, INC. SKOKIE, ILLINOIS			
16" FLAP GATE VALVE ASSEMBLY - AIR OPERATED			
OUR S.D. NO.		REF. S.D. NO.	
DRAWN	BB	DATE	2-18-98
APPROVED	MRD	SCALE	3/16
			DRAWING NUMBER
			434L-012