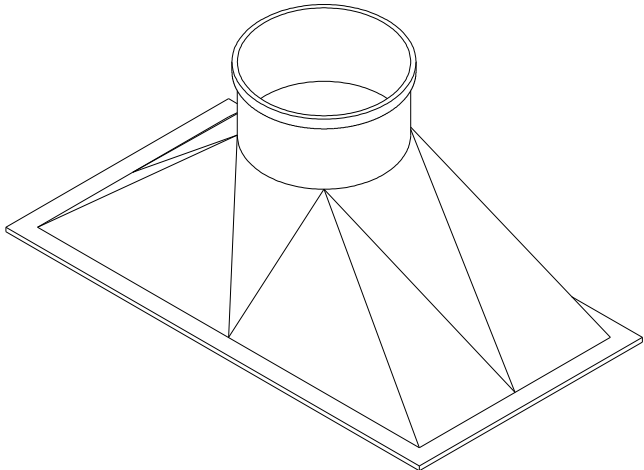
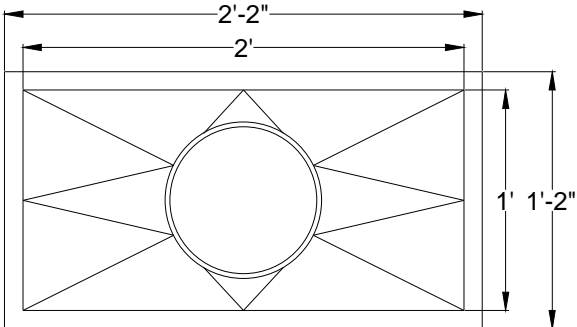
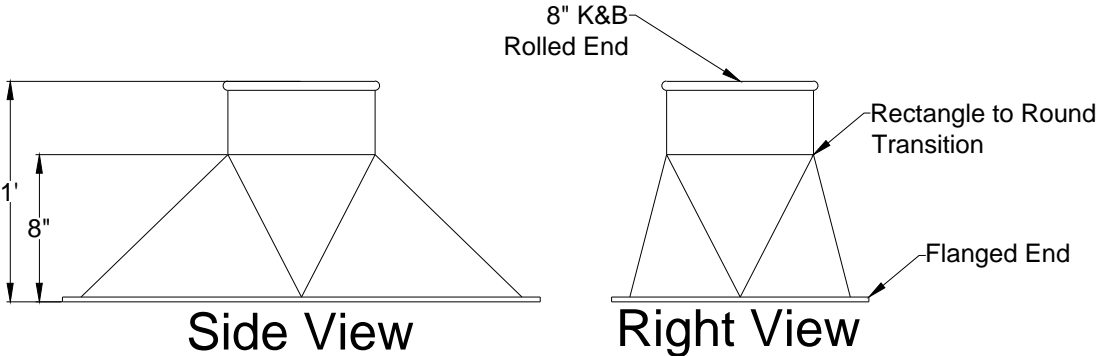


RB&W Manufacturing



Isometric View

- Notes:
 1. Connect to 8" K&B Duct
 2. Galvanized Steel



Avani Environmental Intl. 95 Cypress Drive Youngsville, NC 27596 P# 919-570-2862 F# 919-570-2863		
Project: RB&W Manufacturing Drawing: Rect to Round Transition		
Date: 10/31/12	Drawn by: MDT	
Sheet No: 1 Of 1		Rev.: 0