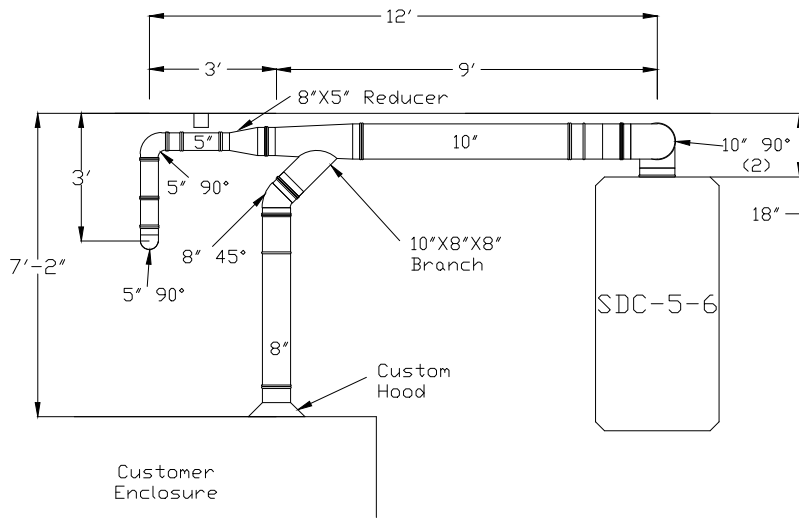
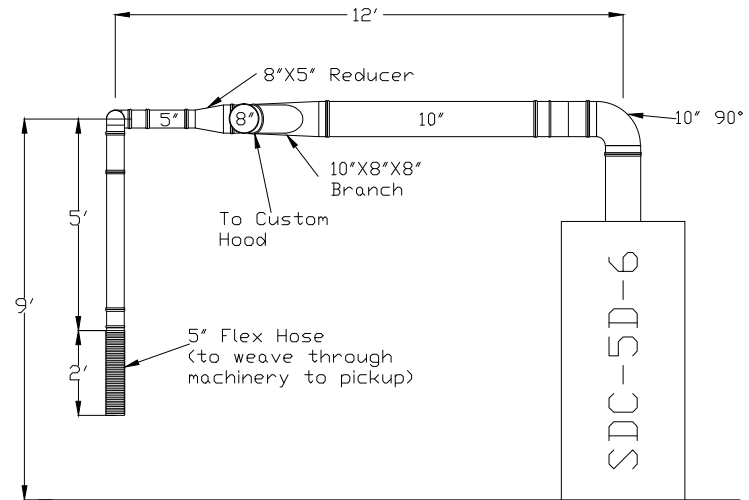


RB&W Manufacturing SDC-5D-6 Dust Collector System



Plan View



Elevation View

Notes:

1. K&B Ductwork
2. Install from pickups to collector, per customer's request
3. Hang duct from ceiling

Avani Environmental Intl.
95 Cypress Drive
Youngsville, NC 27596
P# 919-570-2862 F# 919-570-2863

Avani

Project: RB&W Manufacturing

Drawing: SDC-5D-6 System

Date: 10/26/12 Drawn by: MDT

Sheet No: 1 Of 1

Rev.: 2