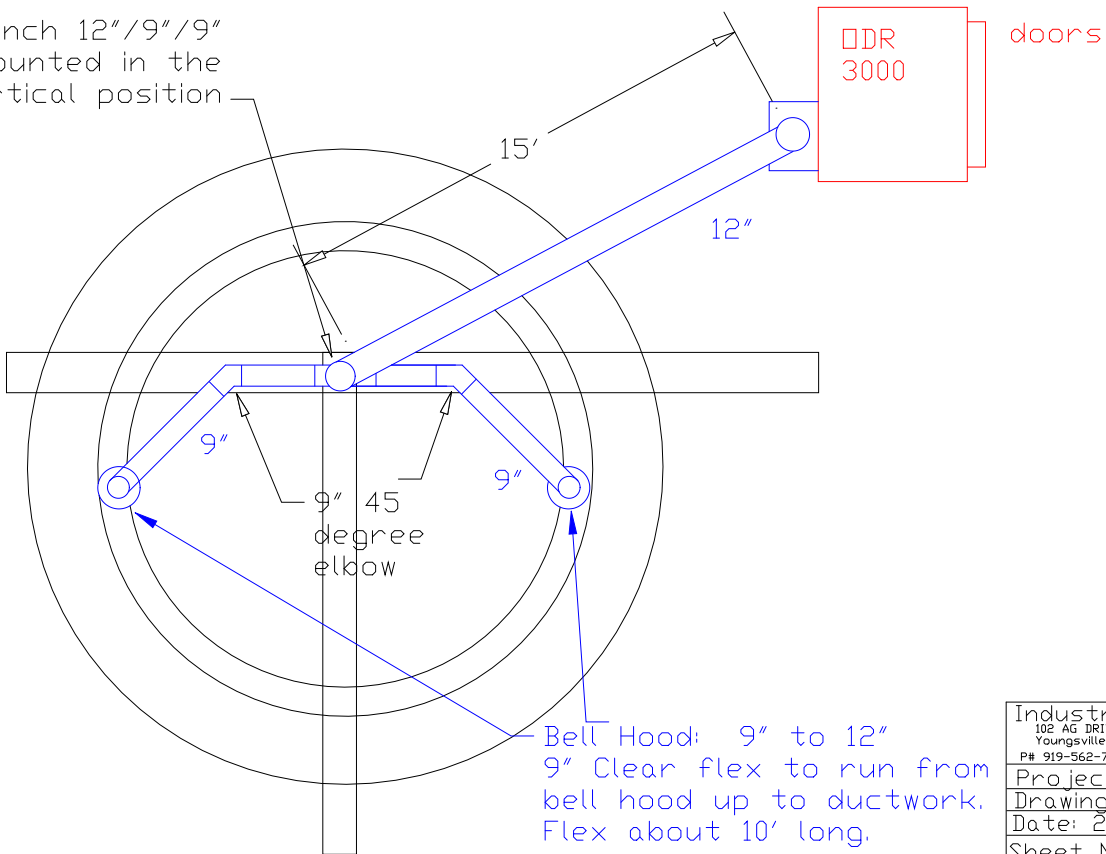


# Ductwork Layout for ODR 3000 Plan View

Y-Branch 12"/9"/9"  
Mounted in the  
vertical position



Industrial Air Quality		<b>IAQ</b>
102 AG DRIVE Youngsville, NC 27596		
P# 919-562-7181	F# 919-562-7182	
Project: RBC Bearings		
Drawing: Ductwork layout		
Date: 2/9/09	Drawn by: RAV	
Sheet No:		