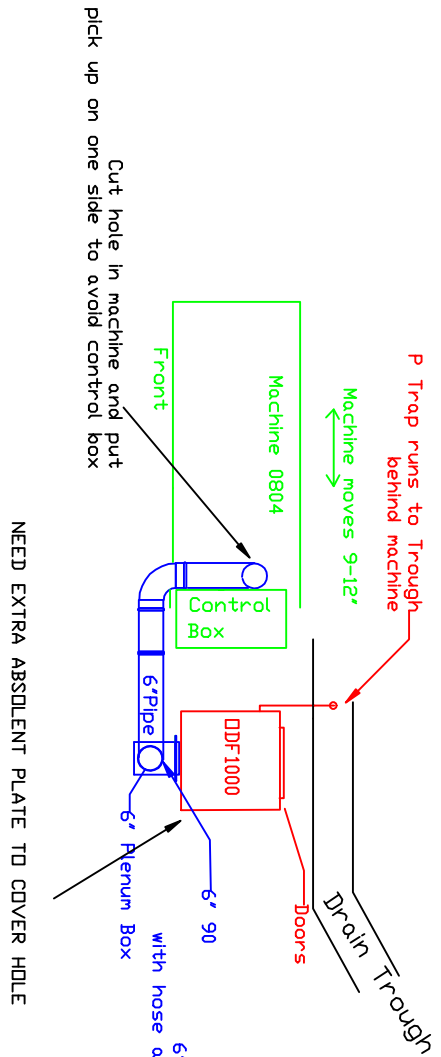


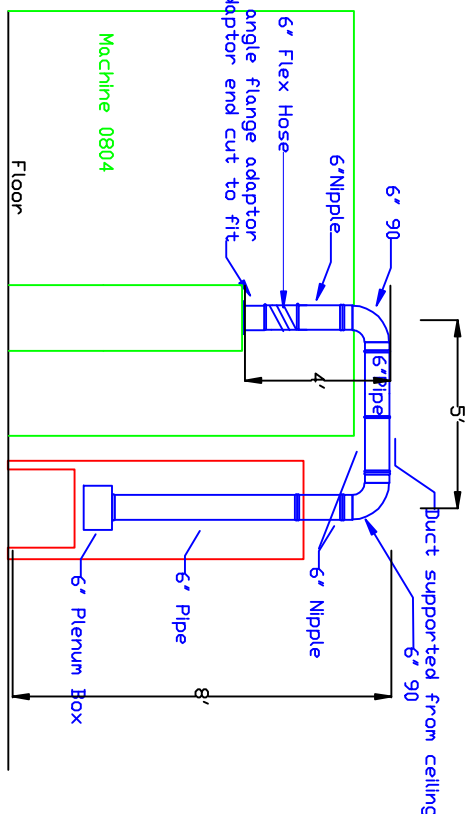
# Absolent Ductwork Layout

## DDF 1000 Machine #0804 K&B Duct

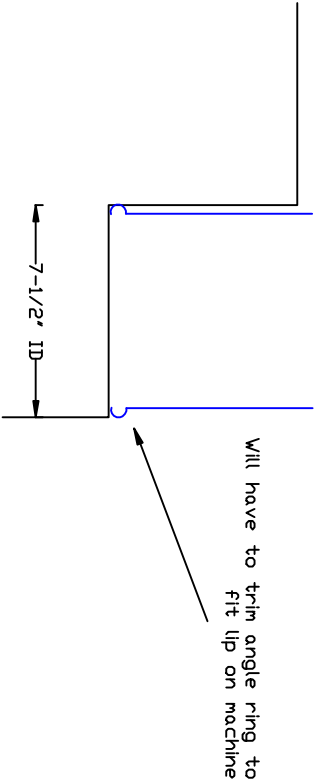
### Plan View



### Side View



### Pickup Detail Side View



Avani Environmental Intl. Inc.  
95 Cypress Drive 27596  
Youngsville, NC  
PH 919-570-2862 F# 919-570-2863

**Avani**

Project: RBC Bearings  
Drawing: DDF1000 Duct Layout  
Date: 4/24/12 | Drawn by: DDJ  
Sheet No: