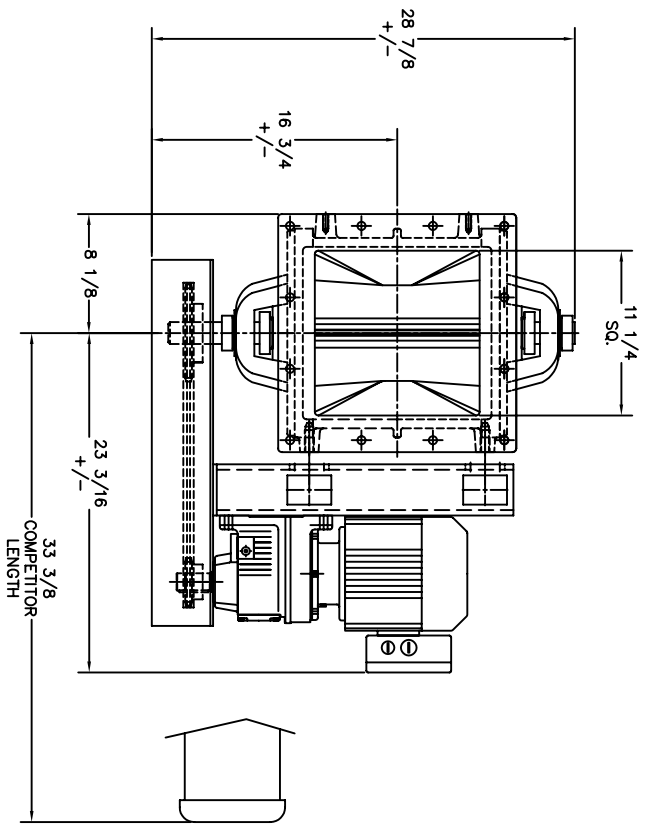
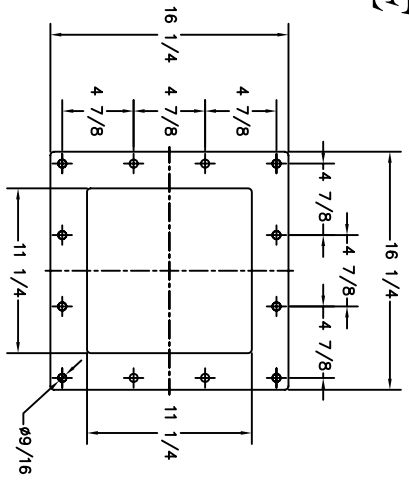


# DR-S SERIES W/ DRIVE PACKAGE

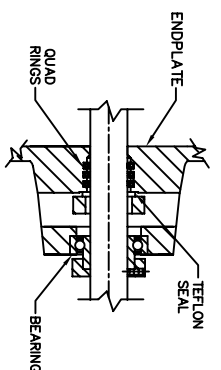


PLAN VIEW

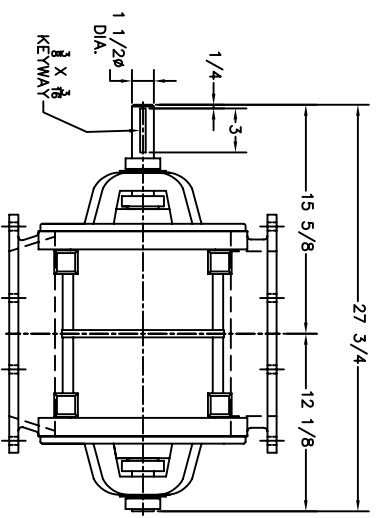
ELEVATION



FLANGE DETAILS



ACST-4 SEAL DETAIL



ELEVATION

VALVE INFORMATION			
HOUSING MATL	ENDPLATE MATL	ROTOR MATL	BLADE TIP MATL
C.I.	C.I.	MILD STEEL	MILD STEEL
		FIXED EDGE	CLEARANCE .004-.007

MOTOR NOT REQUIRED			
MFG.	H.P.	VOLTAGE	CL. & DIV.
SEW EURODRIVE R-SERIES	1 1/2	3/60/230V-460V	TI EFC
			STD. EFF.
			DI90S4
			1800

REDUCER NOT REQUIRED			
MFG.	FRAME	RATIO	MODEL NO.
SEW EURODRIVE R-SERIES	R47	36.93	R4/DT90S4
			R.P.M.
			47

CONVEYING INFORMATION			
PRODUCT HANDLED	TO BE ADVISED		
PRODUCT DENSITY	TO BE ADVISED		
DISPLACEMENT / REV.	100%	.61 (8-VANE)	.64 (6-VANE)
VALVE SPEED	20 RPM		
CONVEY RATE	TO BE ADVISED		

**NOTES**

- 1) ALL DIMENSIONS IN INCHES
- 2) CONSTRUCTION: CAST GREY IRON HOUSING AND ENDPLATES FABRICATED MILD STEEL, 6 OR 8-VANE ROTOR TIPS BEVELLED, CLOCKWISE ROTATION LOOKING AT THE DRIVE END.
- 3) BOTTOM FLANGE BOLT PATTERN MATCHES TOP
- 4) PAINT: STANDARD METAL PREPARATION, EXTERIOR PRIMER AND ONE COAT FINISH ENAMEL - ACS BLUE.
- 5) ACST-4 SHAFT SEAL OR PACKING GLAND STYLE AVAILABLE
- 6) WEIGHT WITHOUT DRIVE PACKAGE: 260 lbs.
- 7) STANDARD OPTIONS:
  - ENDPLATES: CAST GREY IRON CONSTRUCTION
  - ROTOR: FABRICATED MILD STEEL, 6-VANE OR 8-VANE OPEN END ROTOR
  - ROTOR: FIXED EDGE MILD STEEL, ROTOR TIPS - BEVELLED
  - HOUSING: CAST GREY IRON CONSTRUCTION

Proprietary Information  
 Property of Ancaster Conveying Systems Ltd.  
 The reproduction, in whole or in part, of this document, or the use of any information contained herein, without the written permission of Ancaster Conveying Systems Ltd. is prohibited.

ISSUE	DATE	REVISION	BY	DATE	DRAWN BY	CHECKED
					G.T	

B-3345

**ANCASTER CONVEYING SYSTEMS LTD.**  
 611 ARGYLE ST. N. CALEDONIA ONTARIO M3W-4M1  
 TEL (905) 765-2004 FAX (905) 765-4491

TITLE: ACS MODEL DR-S 12 X 12 ROTARY VALVE, GENERAL ARRANGEMENT  
 FOR GENERAL USE ONLY  
 P.C. N/A  
 SCALE: 1"=12"  
 DATE: JAN/21/08  
 DRAWN BY: G.T  
 CHECKED: