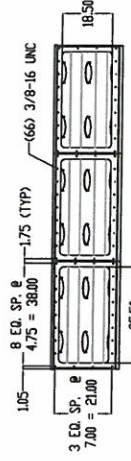
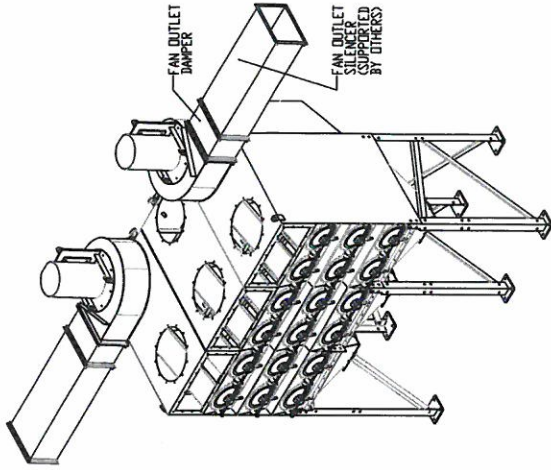
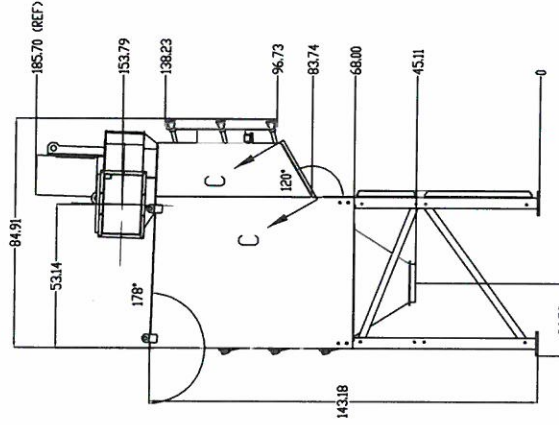
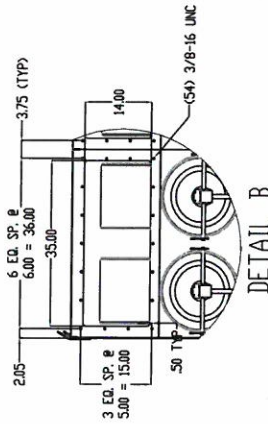
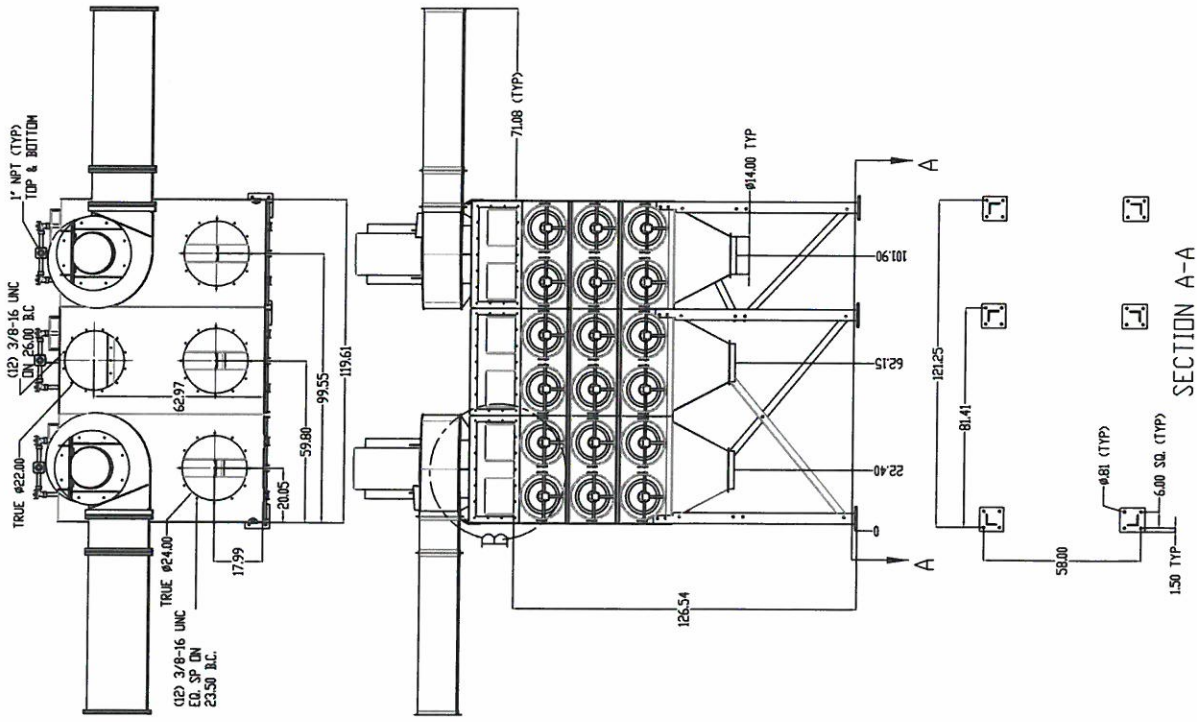


UA LOCAL 5 SDC-AT-3-36



Avani
Avani Environmental Intl, Inc.
95 Cypress Drive
Youngsville, NC 27596
P# 919-488-2862 F# 919-488-2863

Project: UA LOCAL 5
Drawing: SDC-AT-3-36
Date: 9/12/13 Drawn by: MDT
Sheet No: 1 OF 1