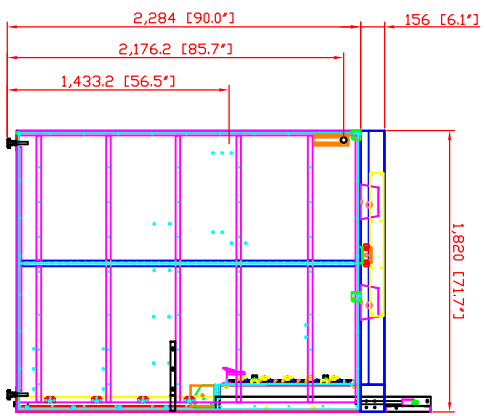
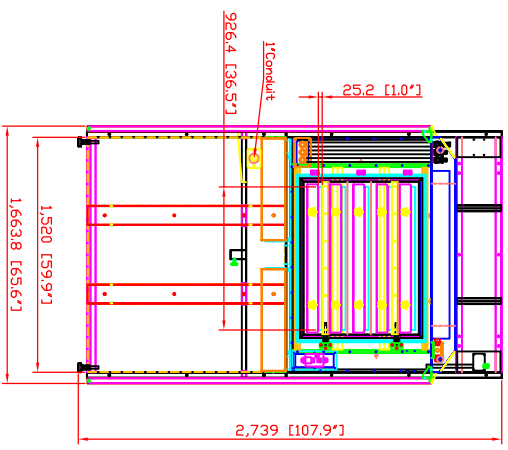
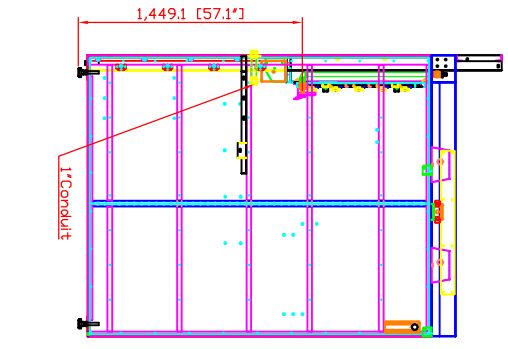
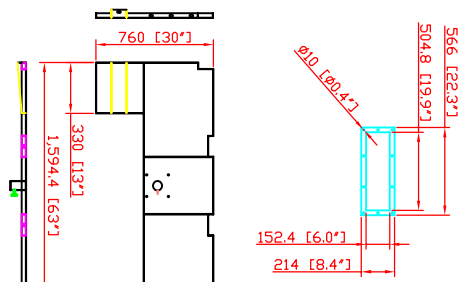
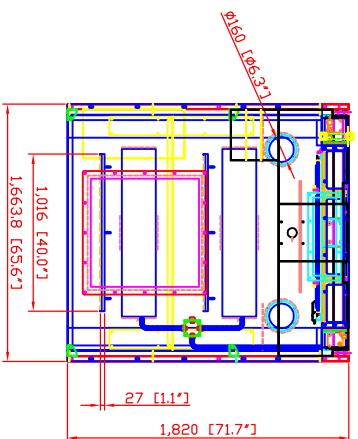
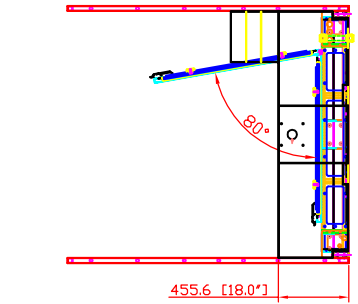


DO NOT SCALE

IF IN DOUBT ASK



Rev	Description	Date	Approved



**WB-6056 WELDING BOOTH SPECIFICATIONS**

- Hood Dimensions: 60" x 72" x 6.1"
  - Back Draft Dimensions: 48.7" x 35.7" x 6.9" (**NOT** incl. optional open shelve)
  - Hood Inlet Opening: 6" x 19.9" (119.4 square inches)
  - Hood Service Panel: Removable 27.6" x 27.6" service panel
  - Back Draft Adjustable Inlet Slots: (5) 1" x 40.5"
  - Hood Adjustable Inlet Slots: (2) 1" x 40"
  - Recessed Lights: (2) Explosion Proof Lights (110V, Single Phase, 60 Hz, 20W)
  - Adjustable Knobs: (21) 2 1/2" Five Star Twists
  - Adjustable Level System: (6) 2 1/2" Feet (maximum adjustment 5")
  - Support Structure: 1 1/2" x 4" steel stock welded
  - Panel Construction: 12-gauge welded steel single wall with cross and up bracing
  - Welding Curtain Supports: (2) adjustable welding curtain brackets
  - Lifting Lugs: (4) Hood mounted lifting lugs to set and move hood or booth
  - Fume Arm Ceiling Supports & Brackets: Built into the hood
  - Fume Arm Cover Plates: (2) cover plates (6 bolt pattern) to match optional dia. 6" fume arm
  - Powder Coated: Avanti Safety Blue Standard. (Custom colors available)
  - Five Piece Configuration: (2) side panels, (1) back panel, (1) backdraft assembly, (1) hood/draft assembly
  - Booths can be mounted back-to-back, side-to-side or both options
  - Electrical Outlets: (2) 110V Outlets @ (1) Switch (additional single or three phase outlets available)
  - Light Switch: For overhead lights
  - Compressed Air Connection
  - (3) CO2 or Gas Connection: (additional gas lines or compressed lines available)
  - (1) 1" Welder Conduit
  - Double Wall Construction (welded)
  - \*\*\*L shaped rear shelf with the 30" L protrusion along the left wall. The width of the protrusion is 13".
- OPTIONS**
- Welded Nuts: Optional locations for J-Hooks
  - Welding Nuts: For wire feeder or welder bracket
  - Adjustable Rear Shelf (solid, grated or cutting table)
  - Corner Shelves
  - Viewing Windows
  - Custom Welding Brackets
  - Foot Lockers
  - Fixtures, Lazy Suzans
  - Any option that can fit inside the booth or on the booth
  - CO2 bracket

**PRELIMINARY**

AVANI ENVIRONMENTAL INTL. INC. Sales Department  
 95 Cypress Drive  
 Youngsville, NC 27596  
 (919) 570-2862  
 info@avanienvironmental.com

Drawn by:	Date	Name	Part Number:	Title:
2015-03-19	2015-03-19	***	REVISION IV	WB-6056
Checked by:				
The drawings, AutoCAD, 3-D Models, and specifications are the property of Avani Environmental Intl. Inc. (AE) and may not be reproduced, distributed, modified, or otherwise used, except provided herein, without the express written permission of AE.				
Size	Scale	Drawing Number:		
A	1 = 35	***		