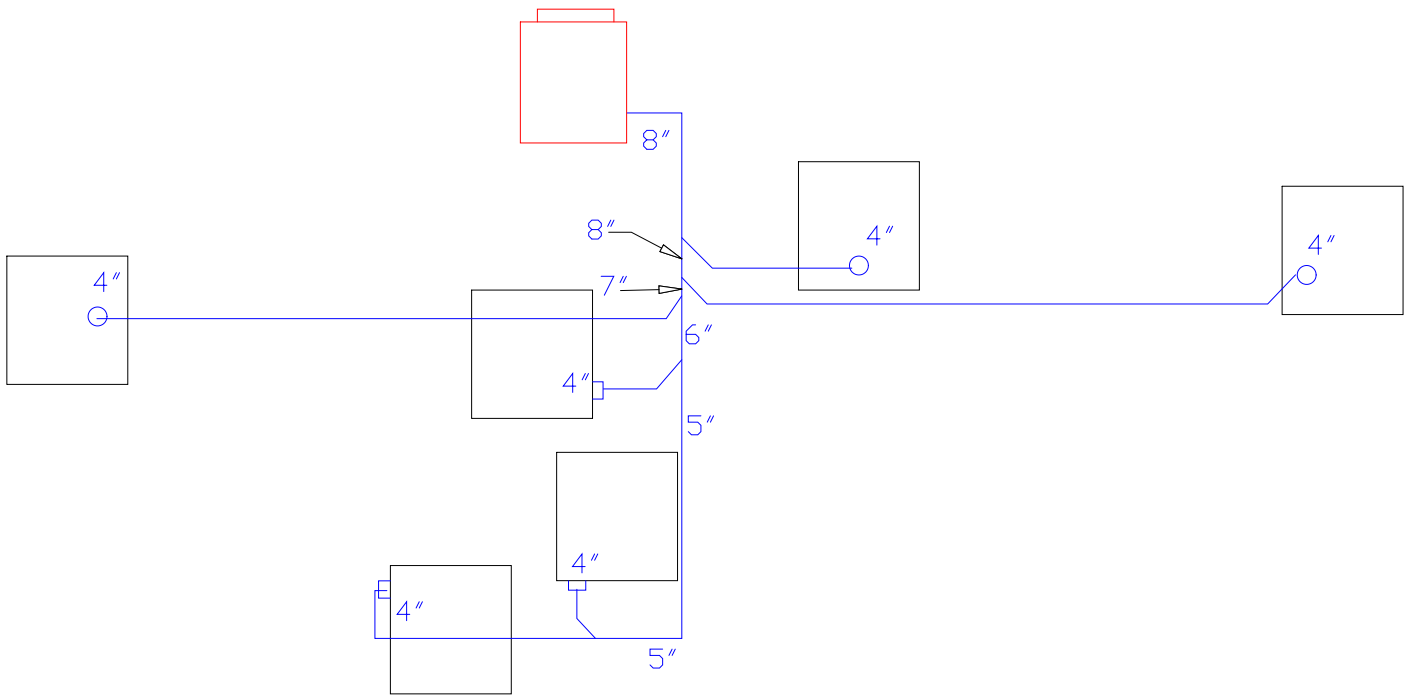


# Ductwork Layout for ODF 2000



Industrial Air Quality	
102 AG DRIVE	
Youngsville, NC 27596	
P# 919-562-7181 F# 919-562-7182	
IAQ	
Project: Pivot Point	
Drawing: Ductwork layout	
Date: 4/3/08	Drawn by: RAV
Sheet No:	