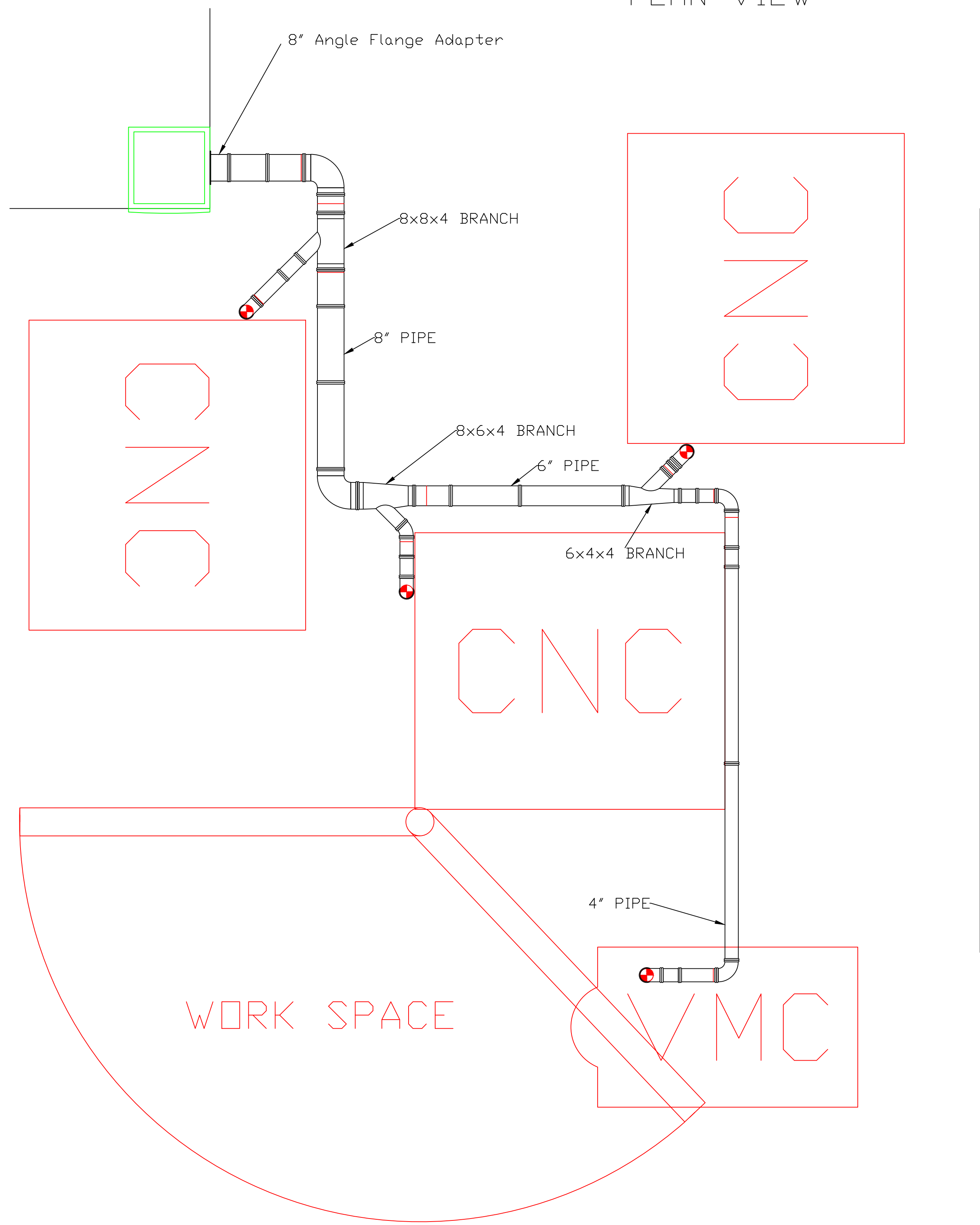
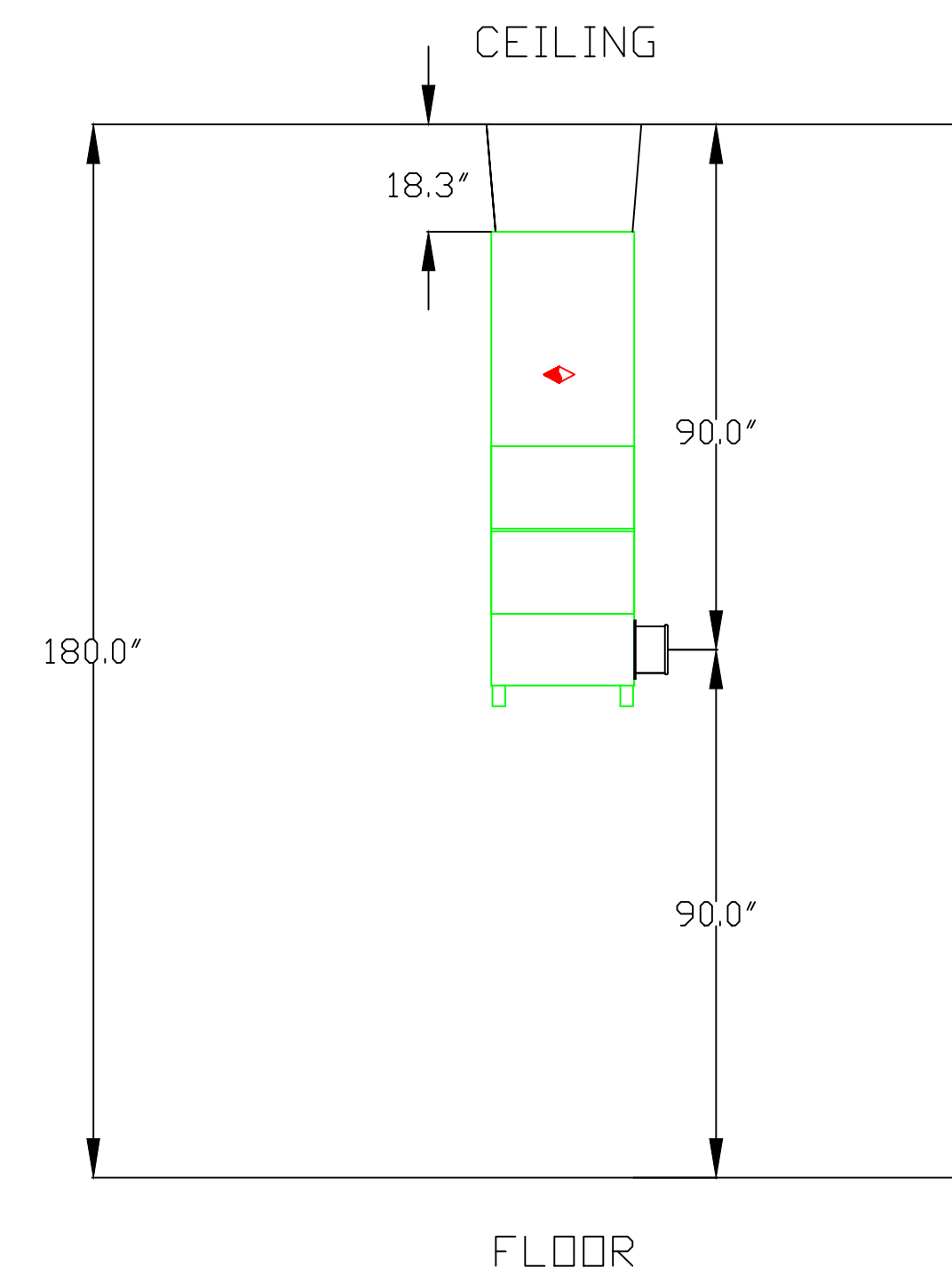


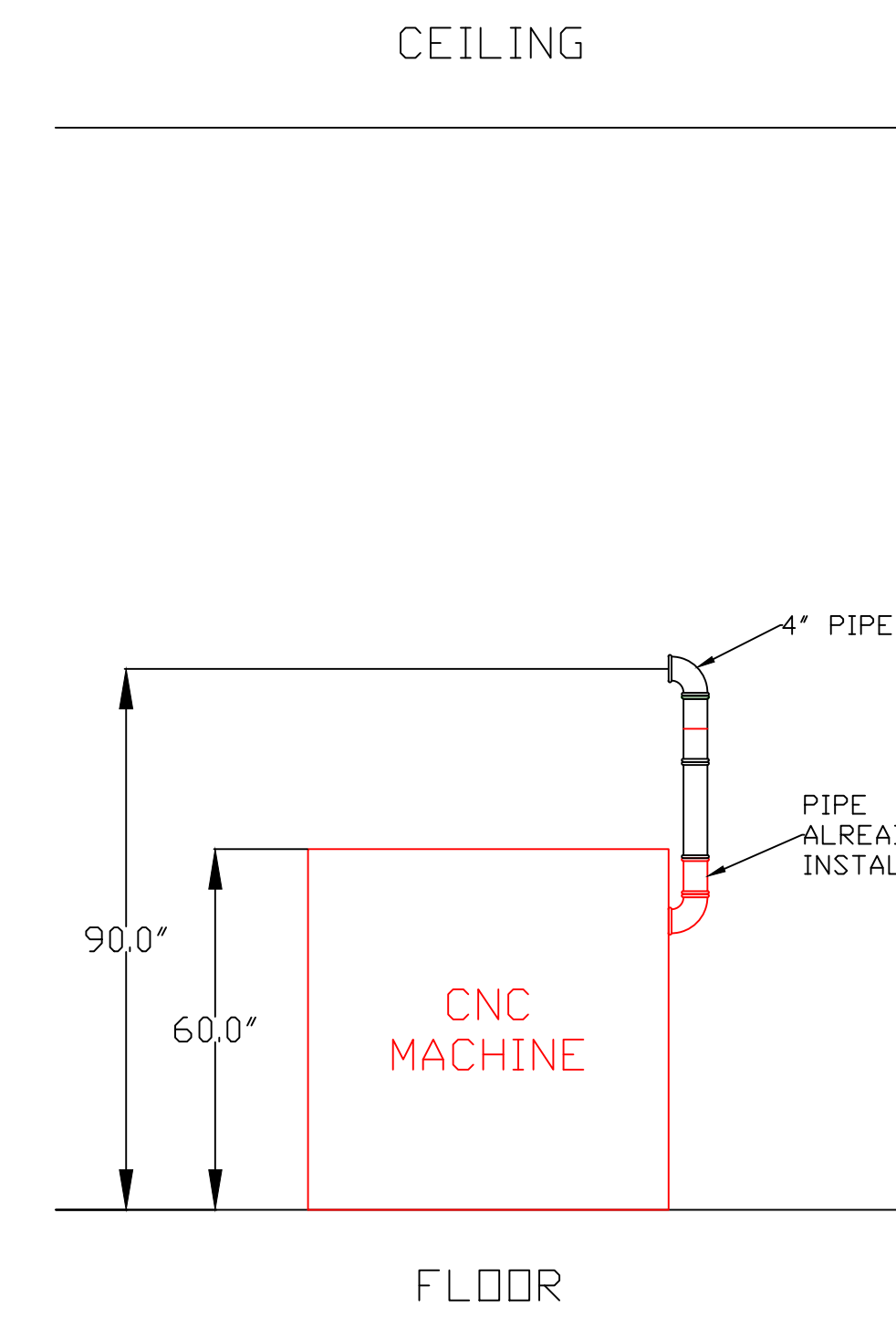
PLAN VIEW



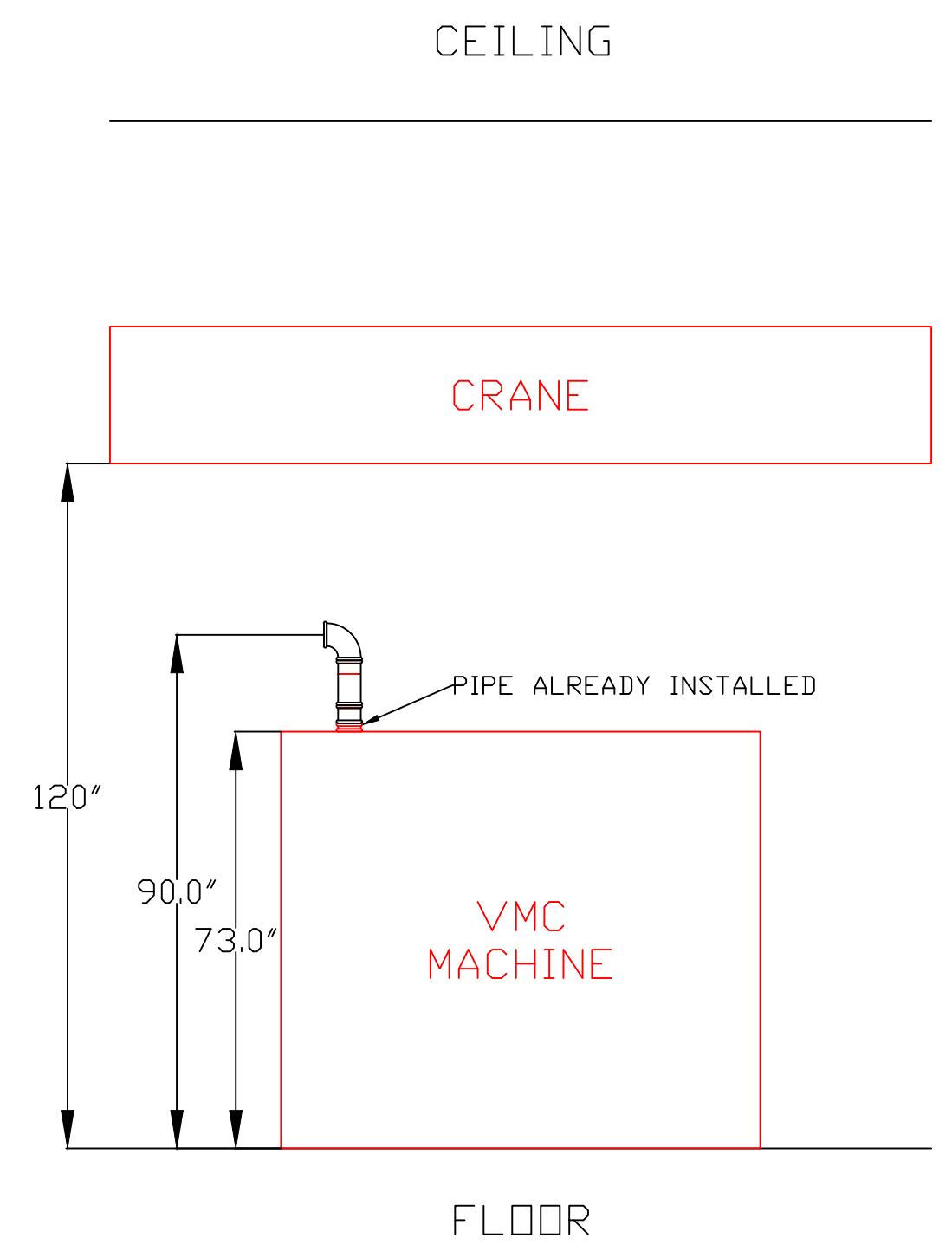
WALL



ODF ELEVATION VIEW



CNC ELEVATION VIEW



VMC ELEVATION VIEW

Notes:

1. Pipe will connect to existing K&B ductwork.
2. ODF-2000 will be hung with threaded rod and uni-strut

Avani Environmental Intl. Inc.
 95 Cypress Drive
 Youngsville, NC 27596
 P# 919-570-2862 F# 919-570-2863

Avani

Project: Pivot Point

Drawing: Duct Layout

Date: 8-22-12 | Drawn by: MDT

Sheet No: 1 OF 1