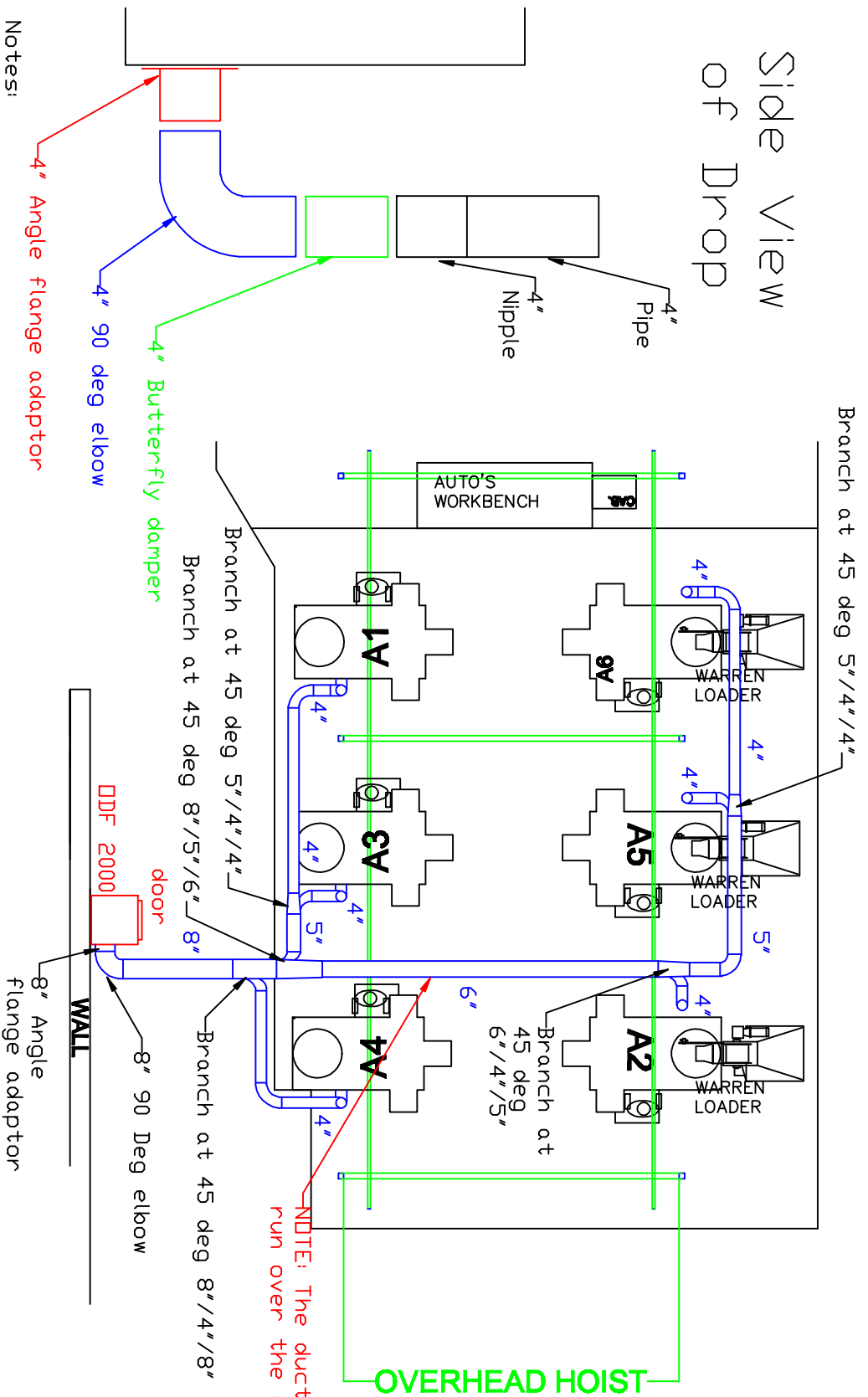
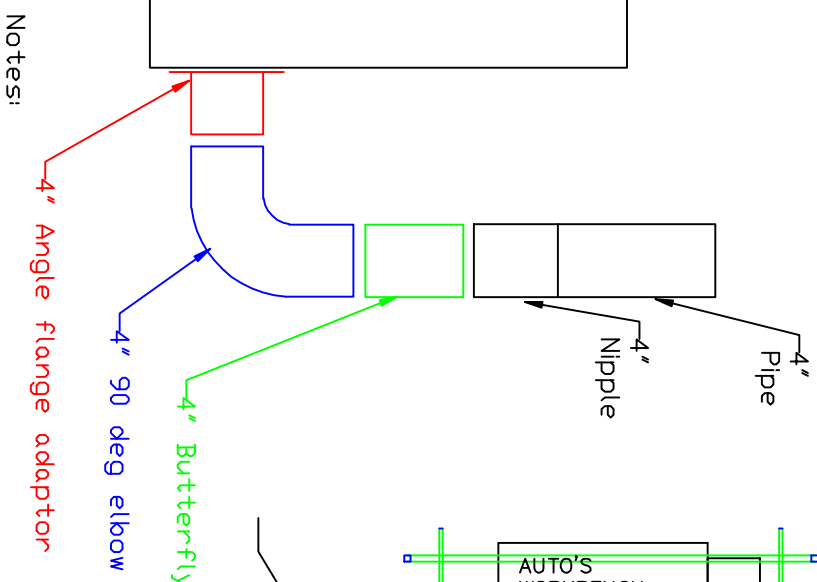


Ductwork layout for DDF 2000

Plan View



Side View of Drop



Notes:

- A) Crane height is 11'6" off of floor
- B) Ceiling height is 17'
- C) Hang ductwork from ceiling with gripples
- D) Each drop will have a 4" butterfly damper for airflow adjustment
- E) Drai line by Pivot Point / P-Trap provided by Oskar

Oskar Environmental Products
 95 Cypress Drive 27596
 Youngsville, NC
 P# 919-570-2862 F# 919-570-2863



Project: Pivot Point
 Drawing: Ductwork layout
 Date: 5/3/10 Drawn by: RAV
 Sheet No: