



Date: January 17, 2012

To: Phillips Medical

Project:

Attn:

Recommended Equipment:

- (1) Grinding Room: 10'W x 10'D x 10'H
 - louvers and viewing windows on swing out front doors
 - sound abatement in walls
 - only back slots (6) and backdraft shelve (starting at 36" height)
 - roof without top hood draft
 - 2" vacuum port

- (1) Top Mount Collector TMC-10-8:
 - 10HP / 480V / 60Hz / 3-phase
 - 8 cartridges: polyester spun bond cartridges: dia. 12.8" x 26"L/pc
 - HEPA modules
 - gauge

Avani Environmental Intl. Inc.
95 Cypress Drive
Youngsville, NC 27596
www.avanienvironmental.com

Phone: (919) 570-2862
Fax: (919) 570-2863
Email: info@avanienvironmental.com
www.weldingbooths.com

The drawings, AutoCAD, 3-D Models, and specifications are the property of Avani Environmental Intl. Inc. (AE) and may not be reproduced, distributed, modified, or otherwise used, except provided herein, without the express written permission of AE.

DO NOT SCALE

IF IN DOUBT ASK



Revisions			
Rev	Description	Date	Approved

TMC-10-8 TOP MOUNT COLLECTOR SPECIFICATIONS

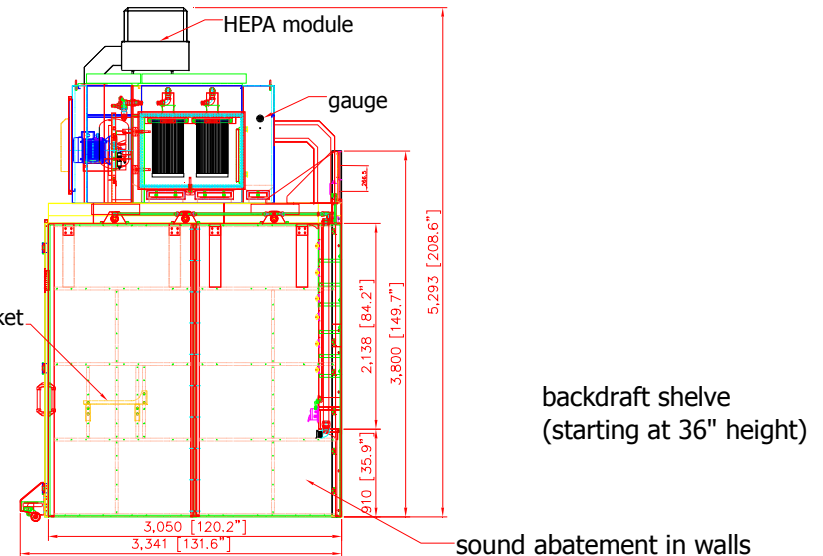
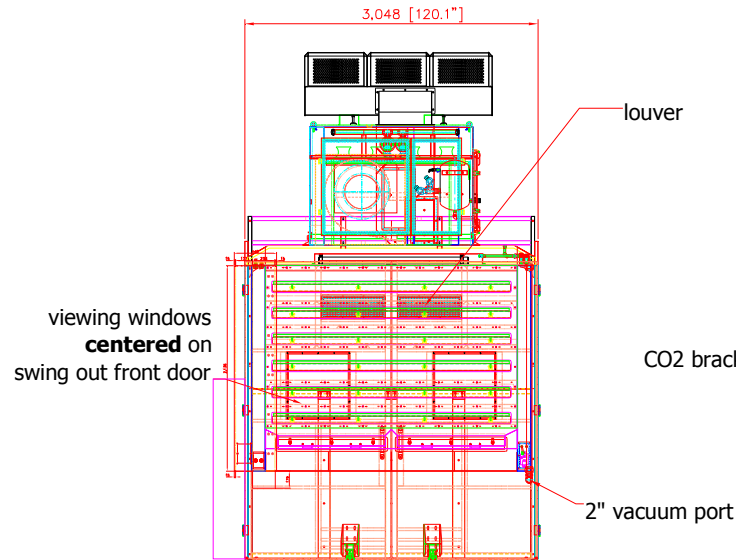
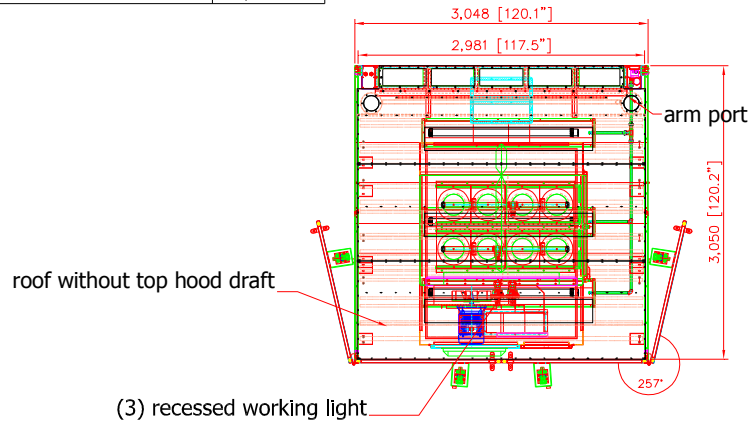
- Motor: 10HP
***TEFC Motor

- Electric Spec: 480V / 60Hz / 3Ph

Filtration Stages:

1. Cartridge Filter: DIA. 325 x 660mmL x 8 pcs
 - spec: dia. 325 x 660mmL (12.8" x 26"L)
 - filtering area: 10m2 x 8 = 80m2 (860.8 ft2)

- HEPA modules
- gauge
- 2" vacuum port



AVANI ENVIRONMENTAL INTL. INC. Sales Department

95 Cypress Drive

Youngsville, NC 27596

(919) 570-2862

info@avanienvironmental.com

Drawn by:	Date	Name
Checked by:	2012-01-17	***
	2011-11-28	

Part Number:
Phillips

Title:
Grinding Room 10'W x 10'D x 10'H
TMC-10-8 w HEPA module

The drawings, AutoCAD, 3-D Models, and specifications are the property of Avani Environmental Intl. Inc. (AE) and may not be reproduced, distributed, modified, or otherwise used, except provided herein, without the express written permission of AE.

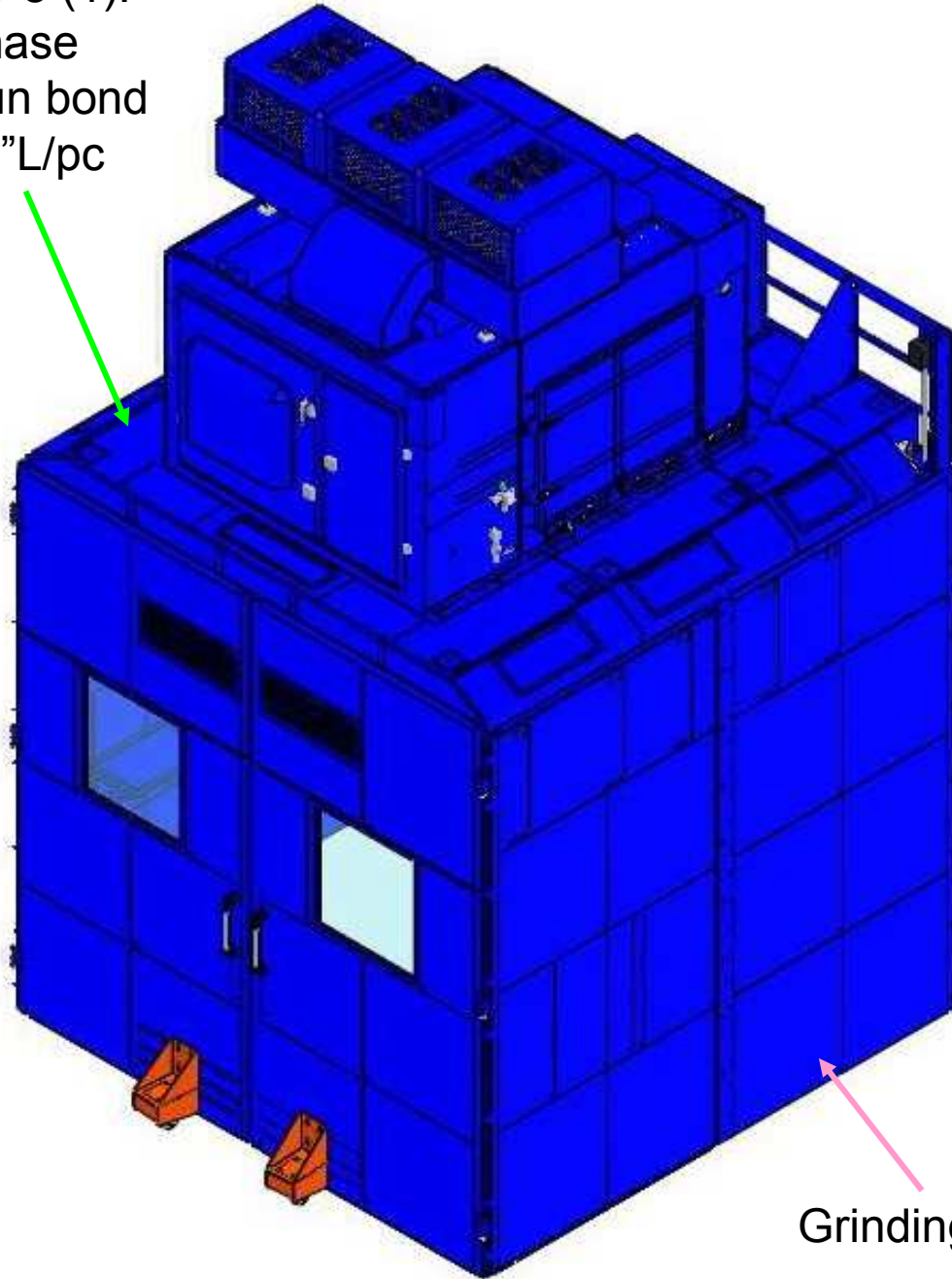
Size
A

Scale
1 = 40

Drawing Number:
WB-10x10x10P-G

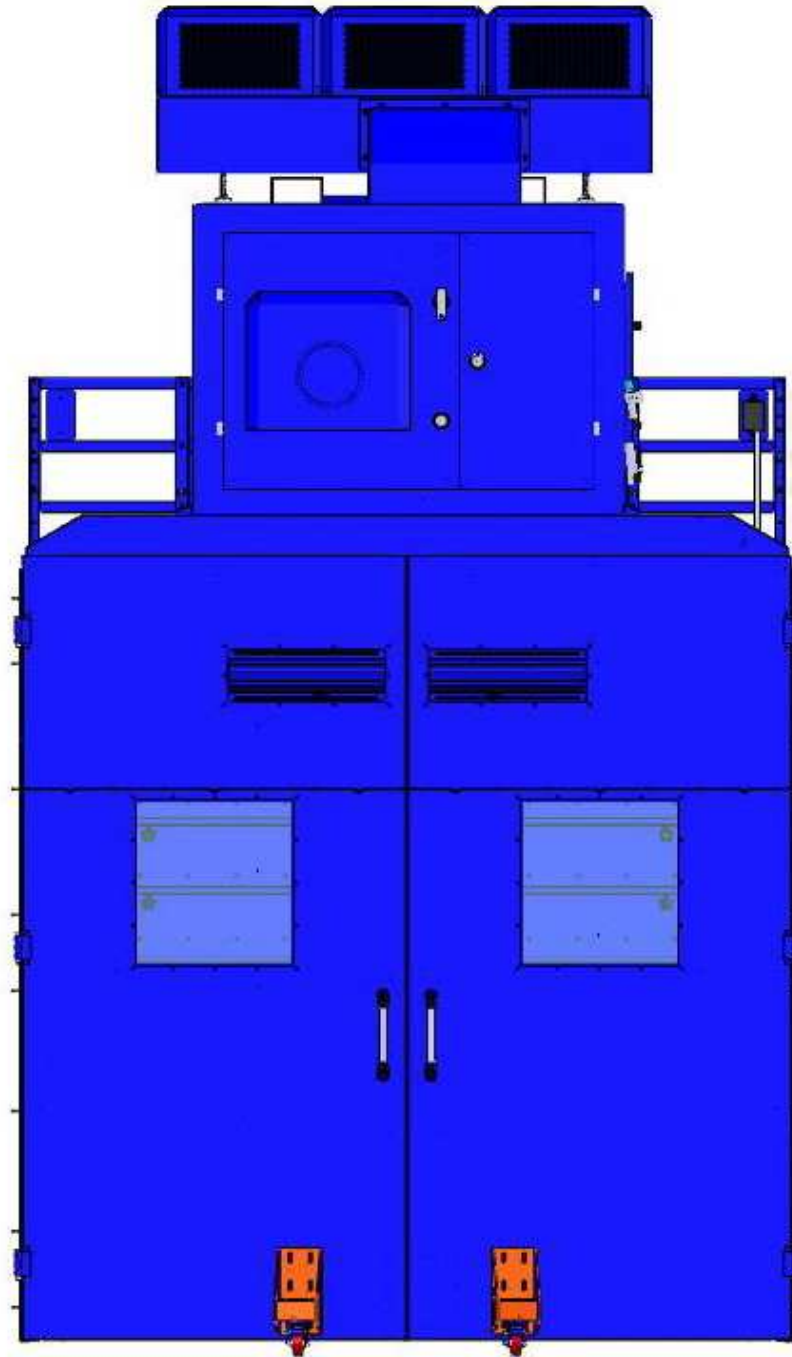
Top Mount Collector TMC-10-8 (1):

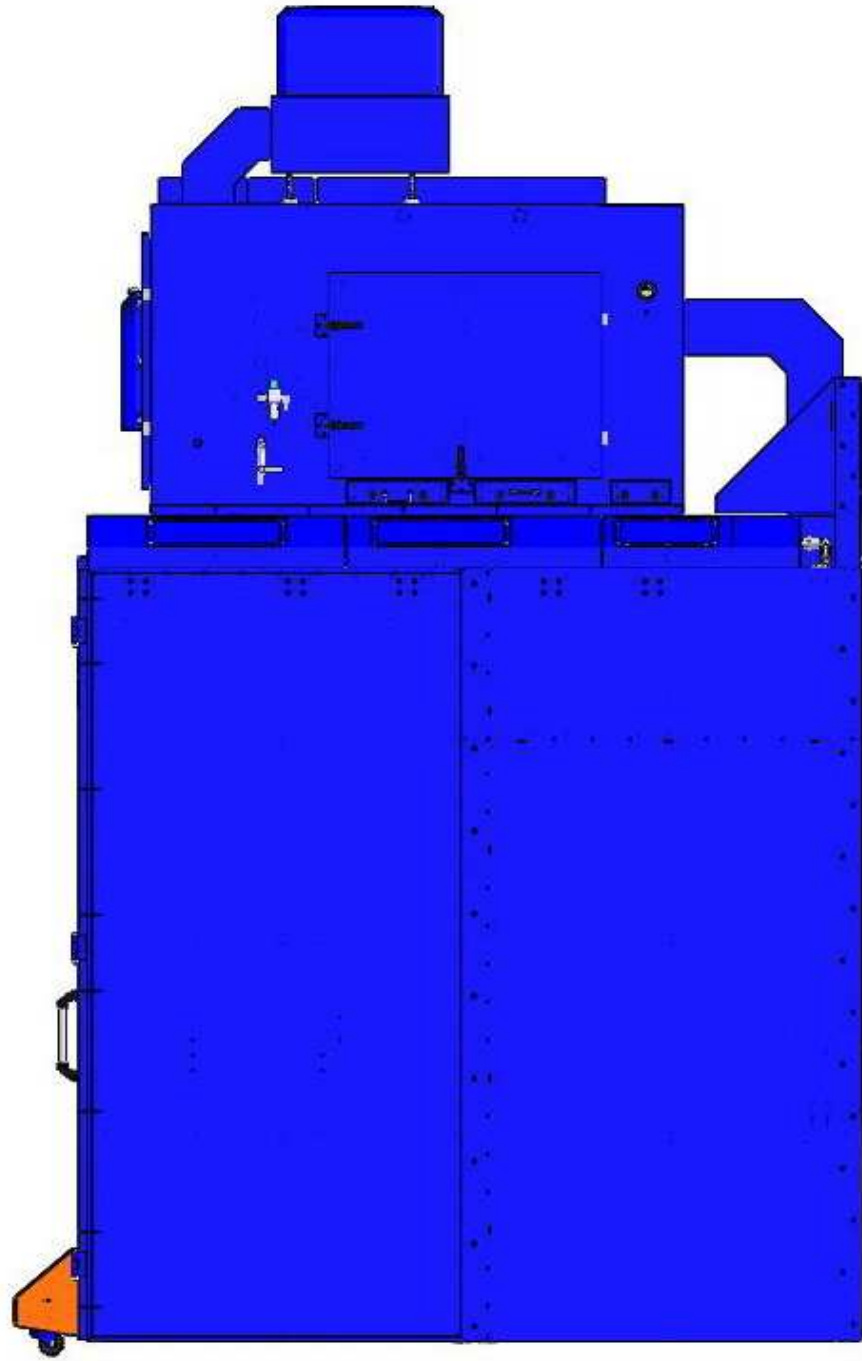
- 10HP / 480V / 60Hz / 3-phase
- 8 cartridges: polyester spun bond cartridges: dia. 12.8" x 26"L/pc
- HEPA modules
- gauge

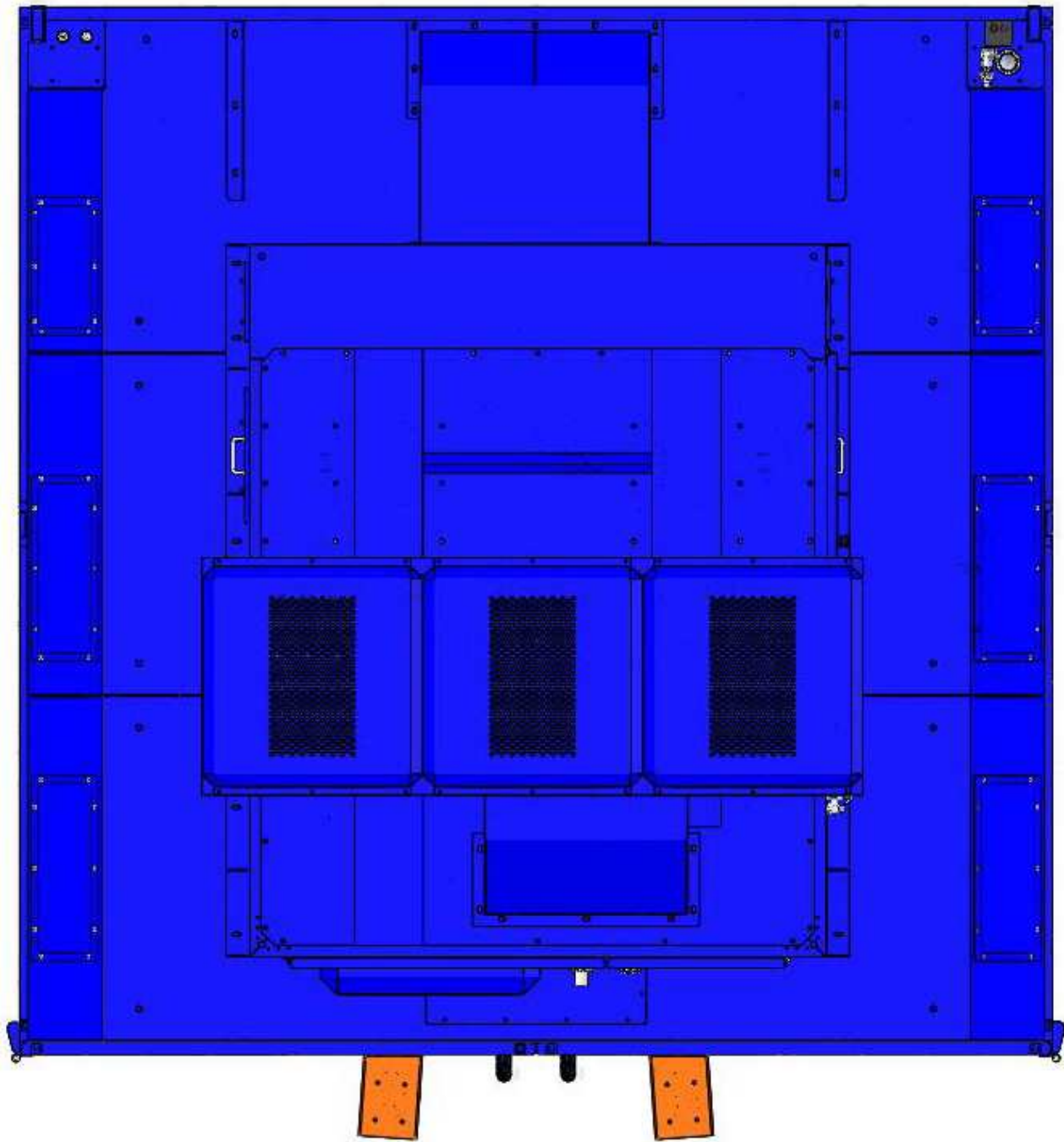


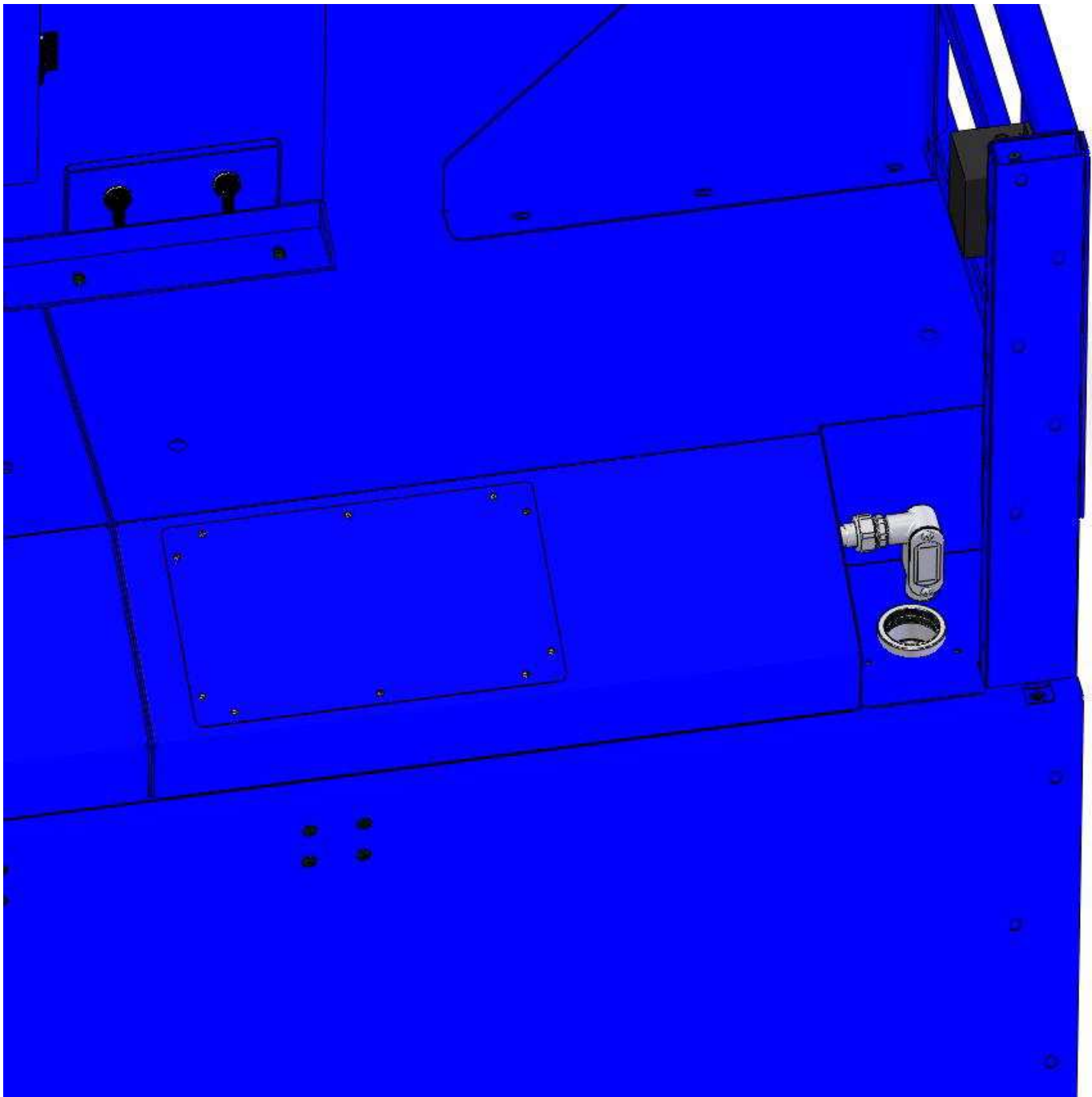
Grinding Room (1):

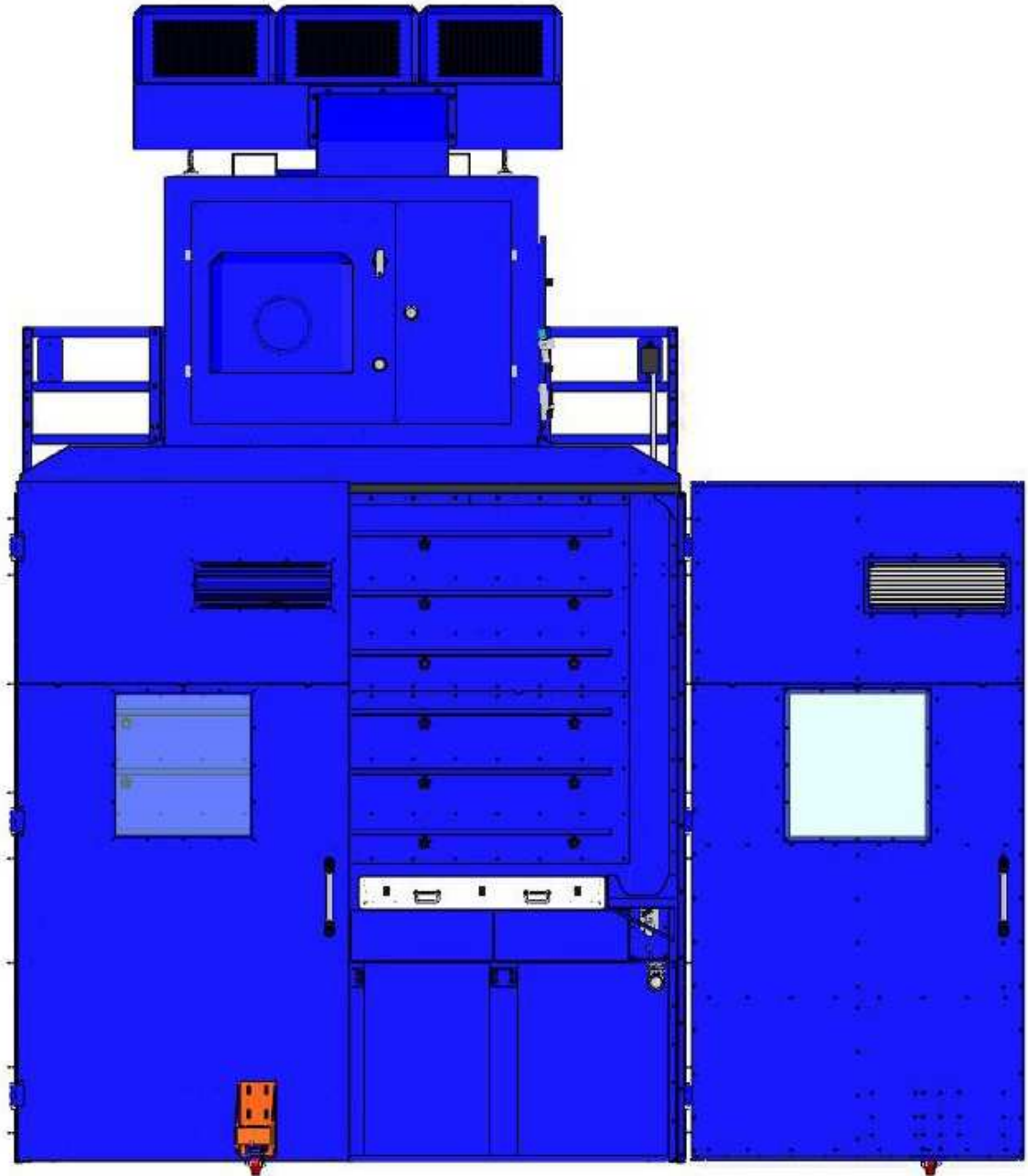
10'W x 10'D x 10'H

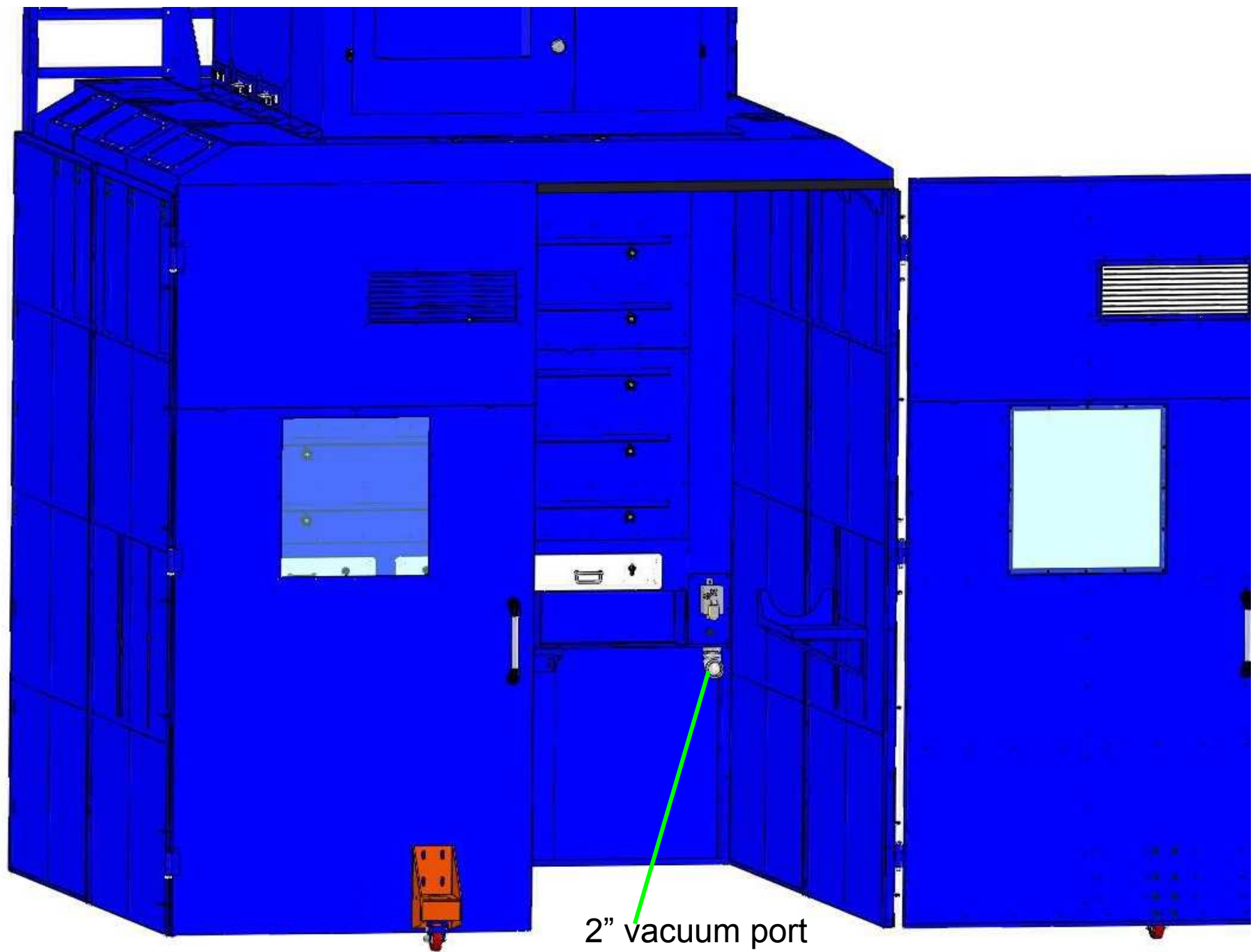












2" vacuum port