



Date: November 28, 2011

To: Phillips Medical

Project:

Attn:

Recommended Equipment:

(1) Grinding Room: 10'W x 10'D x 10'H

- louvers and viewing windows on swing out front doors
- sound abatement in walls
- only back slots (6) and backdraft shelve (starting at 36" height)
- roof without top hood draft

(1) Top Mount Collector TMC-10-8:

- 10HP
- 8 cartridges: polyester spun bond cartridges: dia. 12.8" x 26"L/pc
- HEPA modules

Avani Environmental Intl. Inc.

95 Cypress Drive

Youngsville, NC 27596

www.avanienvironmental.com

Phone: (919) 570-2862

Fax: (919) 570-2863

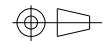
Email: info@avanienvironmental.com

www.weldingbooths.com

The drawings, AutoCAD, 3-D Models, and specifications are the property of Avani Environmental Intl. Inc. (AE) and may not be reproduced, distributed, modified, or otherwise used, except provided herein, without the express written permission of AE.

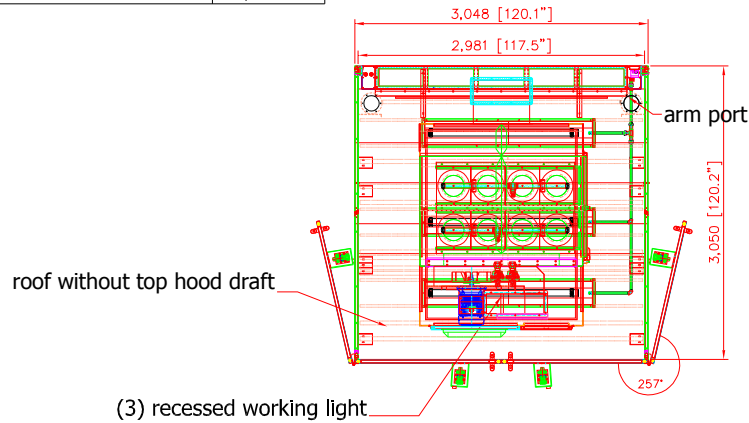
DO NOT SCALE

IF IN DOUBT ASK



Revisions

Rev	Description	Date	Approved
-----	-------------	------	----------



TMC-10-8 TOP MOUNT COLLECTOR SPECIFICATIONS

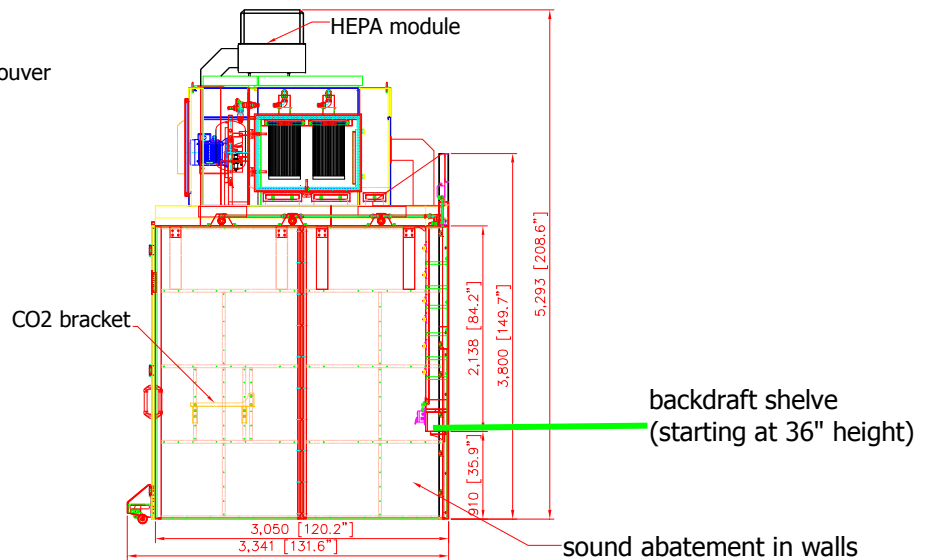
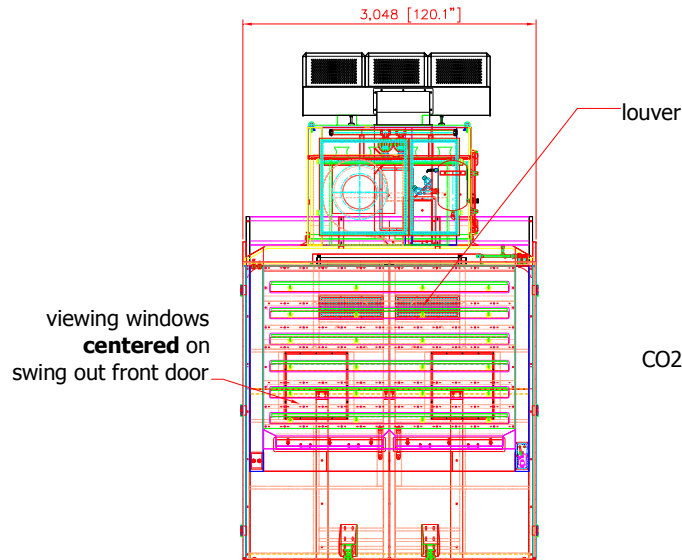
- Motor: 10HP
 ***TEFC Motor

- Electric Spec: 60Hz / 3Ph

Filtration Stages:

1. Cartridge Filter: DIA. 325 x 660mmL x 8 pcs
 - spec: dia. 325 x 660mmL (12.8" x 26"L)
 - filtering area: 10m² x 8 = 80m² (860.8 ft²)

- HEPA modules



AVANI ENVIRONMENTAL INTL. INC. Sales Department
 95 Cypress Drive
 Youngsville, NC 27596

(919) 570-2862
 info@avanienvironmental.com

Drawn by:	Date	Name	Part Number:
Checked by:	2011-11-28	***	Phillips
The drawings, AutoCAD, 3-D Models, and specifications are the property of Avani Environmental Intl. Inc. (AE) and may not be reproduced, distributed, modified, or otherwise used, except provided herein, without the express written permission of AE.			

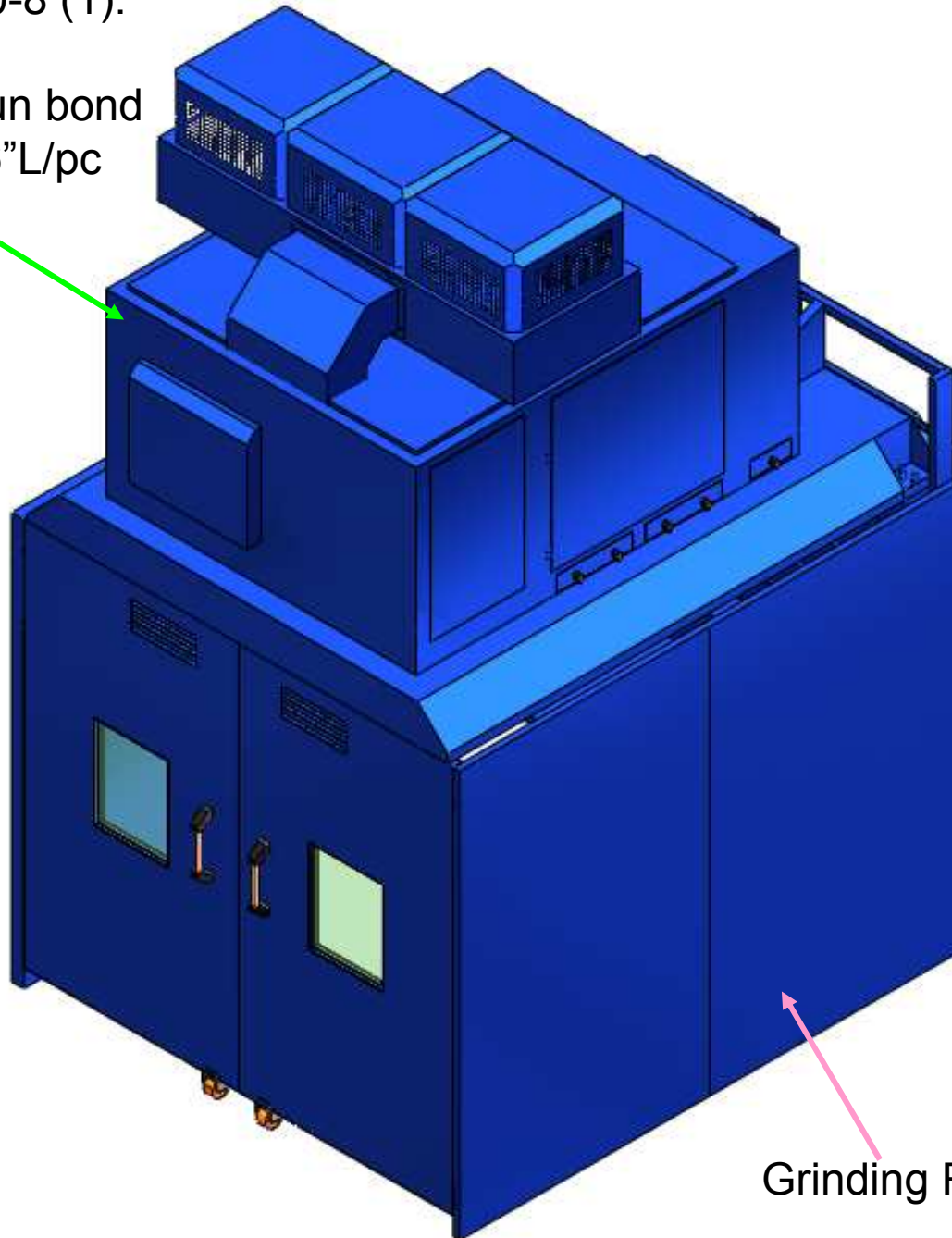
Title:		
Grinding Room 10'W x 10'D x 10'H TMC-10-8 w HEPA module		
Size	Scale	Drawing Number:
A	1 = 40	WB-10x10x10P-G





Top Mount Collector TMC-10-8 (1):

- 10HP
- 8 cartridges: polyester spun bond cartridges: dia. 12.8" x 26"L/pc
- HEPA modules



Grinding Room (1):
10'W x 10'D x 10'H

