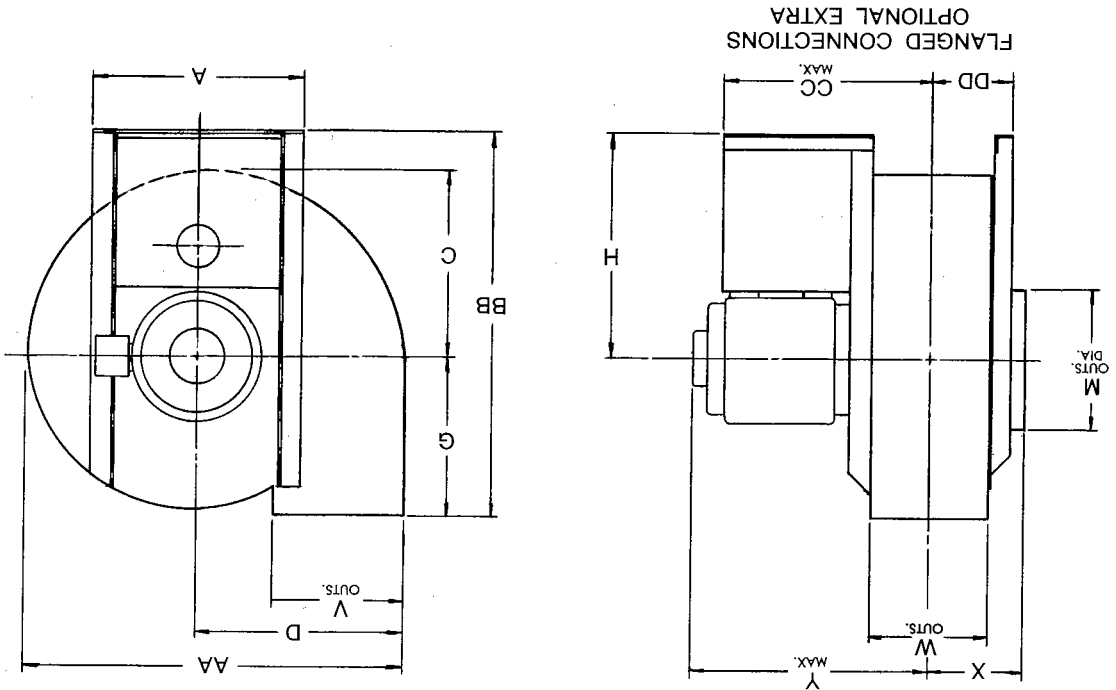


ARRANGEMENT 4



* Based on CEWA Drip-Proof Motors.

Fan Size	Motor*		AA	BB	CC	DD	A	C	D	G	H	M	V	W	X	Y
	Maximum	Frame														
11	184T	29%	31½	16	6%	15½	14%	16%	13	18½	11	10½	9%	8½	17%	17%
13	215T	35¼	36½	18¾	8%	18½	17¼	19%	15	21½	13	12%	11	9%	21	21
15	256T	40%	41¾	24¼	8½%	22	19%	22%	17¼	24½	15	14¼	12%	10½	27%	27%
17	286T	46	47	26	10%	26½	22½	25¼	19½	27½	17	16½	14%	12	31	31
19	326T	51¼	52	28¾	11½%	28½	25	28¼	21½	30½	19	17%	16	12¾	34	34
21	326T	56%	57½	29%	12	31	27%	31½	24	33½	21	19%	17%	14¼	34¾	34¾
23	365T	62½	62½	32½	13%	33½	30%	34½	26	36½	23	21%	19¼	15½	36¼	36¼
26	405T	70	70	35	14%	33½	34¼	38½	29	41	26	24%	21%	16¾	39¼	39¼