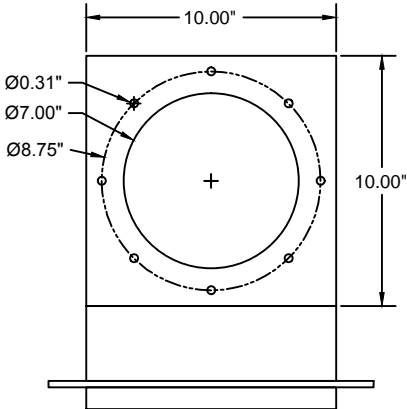
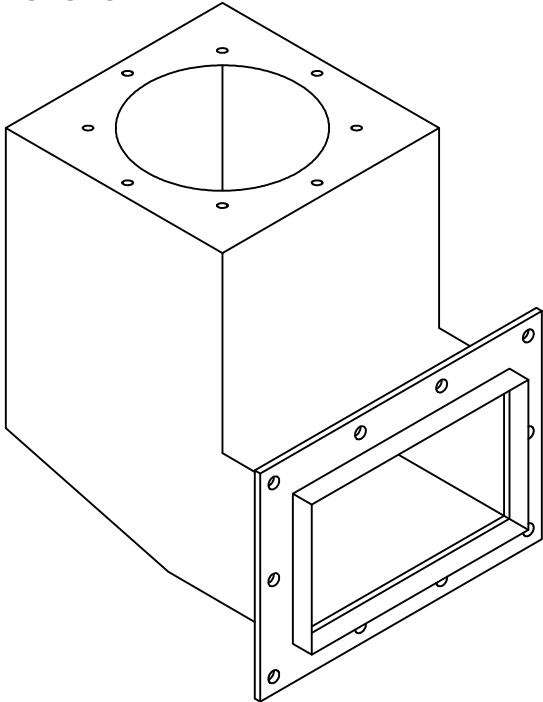


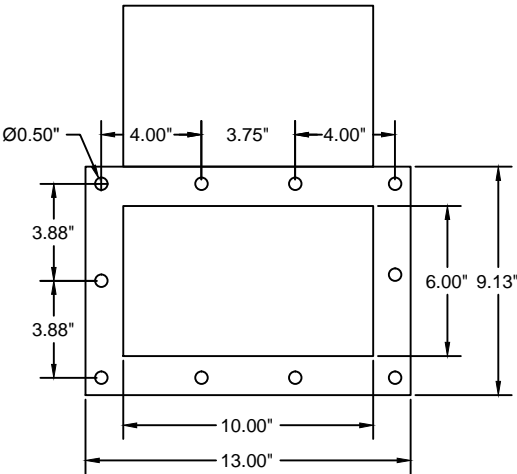
Paramont Die Replacement Plenum SO20990



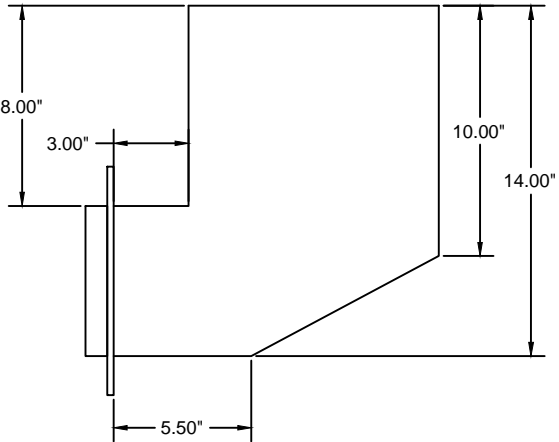
Top View



Isometric View



Front View



Side View

Avani Environmental Intl.
95 Cypress Drive
Youngsville, NC 27596
P# 919-570-2862 F# 919-570-2863

Avani

Project: Paramont Die Replacement Plenum

Drawing: Detail drawing

Date: 3/19/14

Drawn by: MDT

Sheet No: 1 of 1

Rev.: 0