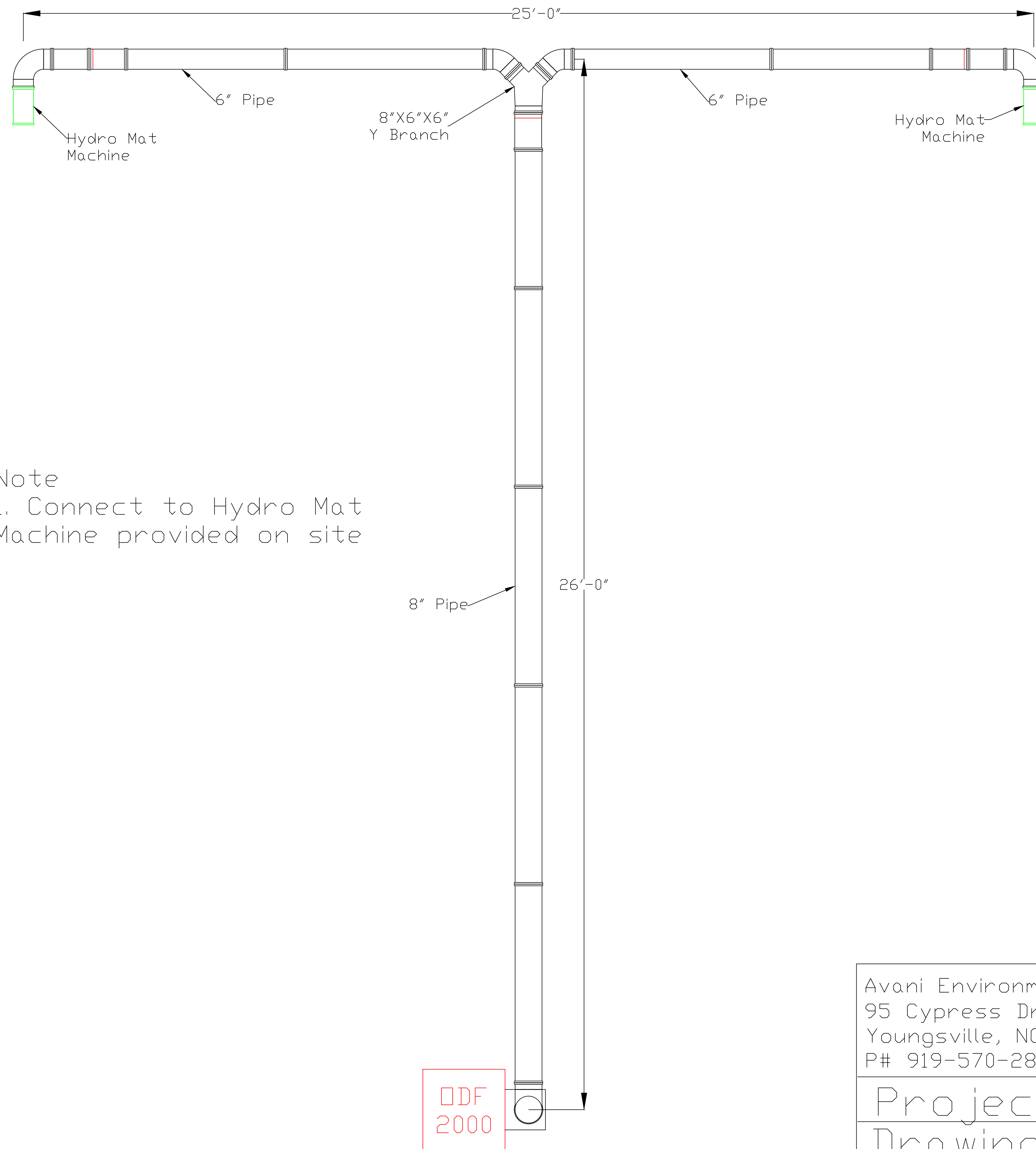
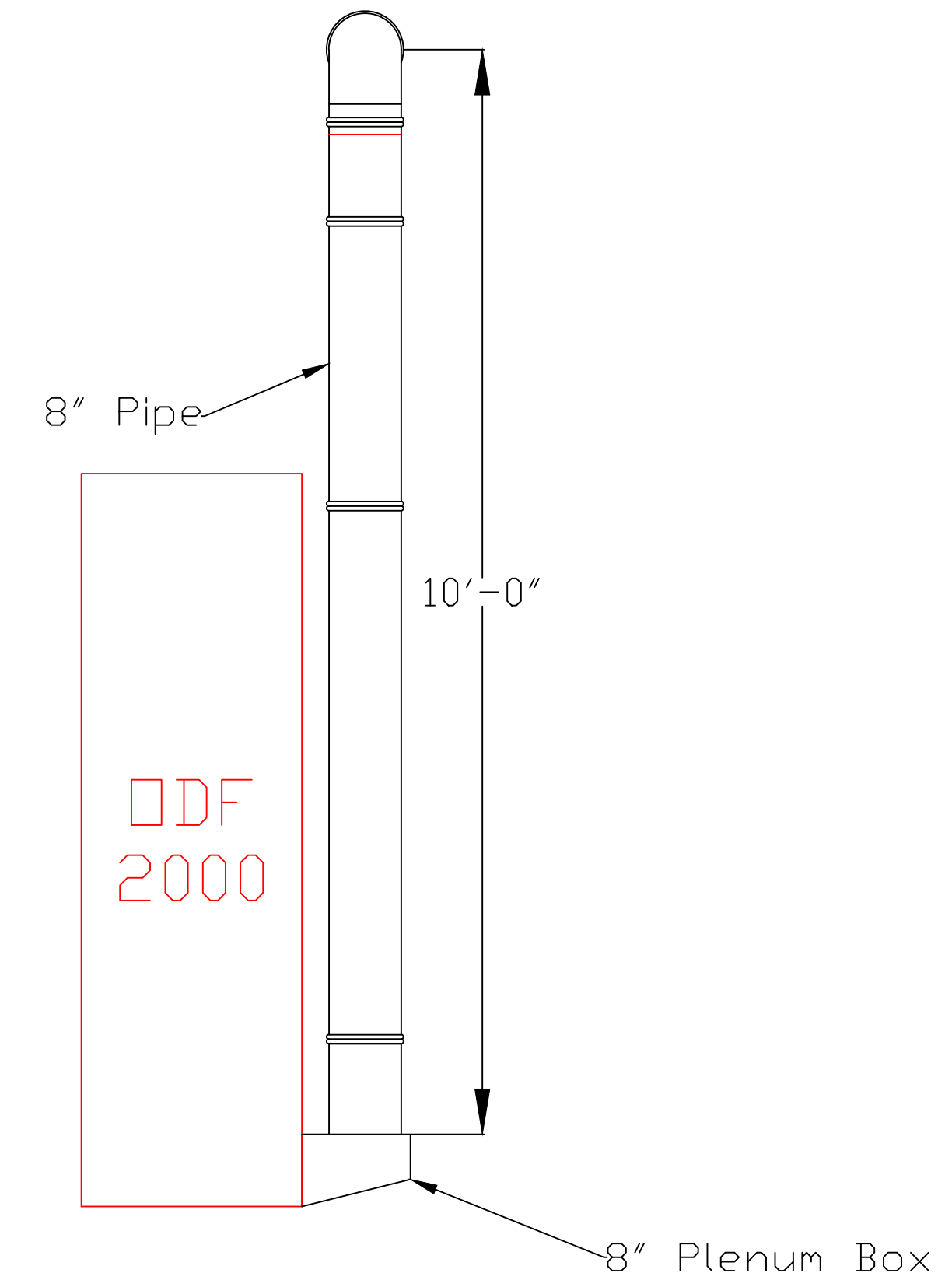


Paragon Metals
 Hydro Mat
 Project - S.O.
 18901



Note
 1. Connect to Hydro Mat Machine provided on site



Elevation View

Plan View

Avani Environmental Intl. Inc.
 95 Cypress Drive
 Youngsville, NC 27596
 P# 919-570-2862 F# 919-570-2863

Avani

Project: Paragon Metals

Drawing: Duct Layout

Date: 8-15-12 | Drawn by: MDT

Sheet No: 1 OF 1