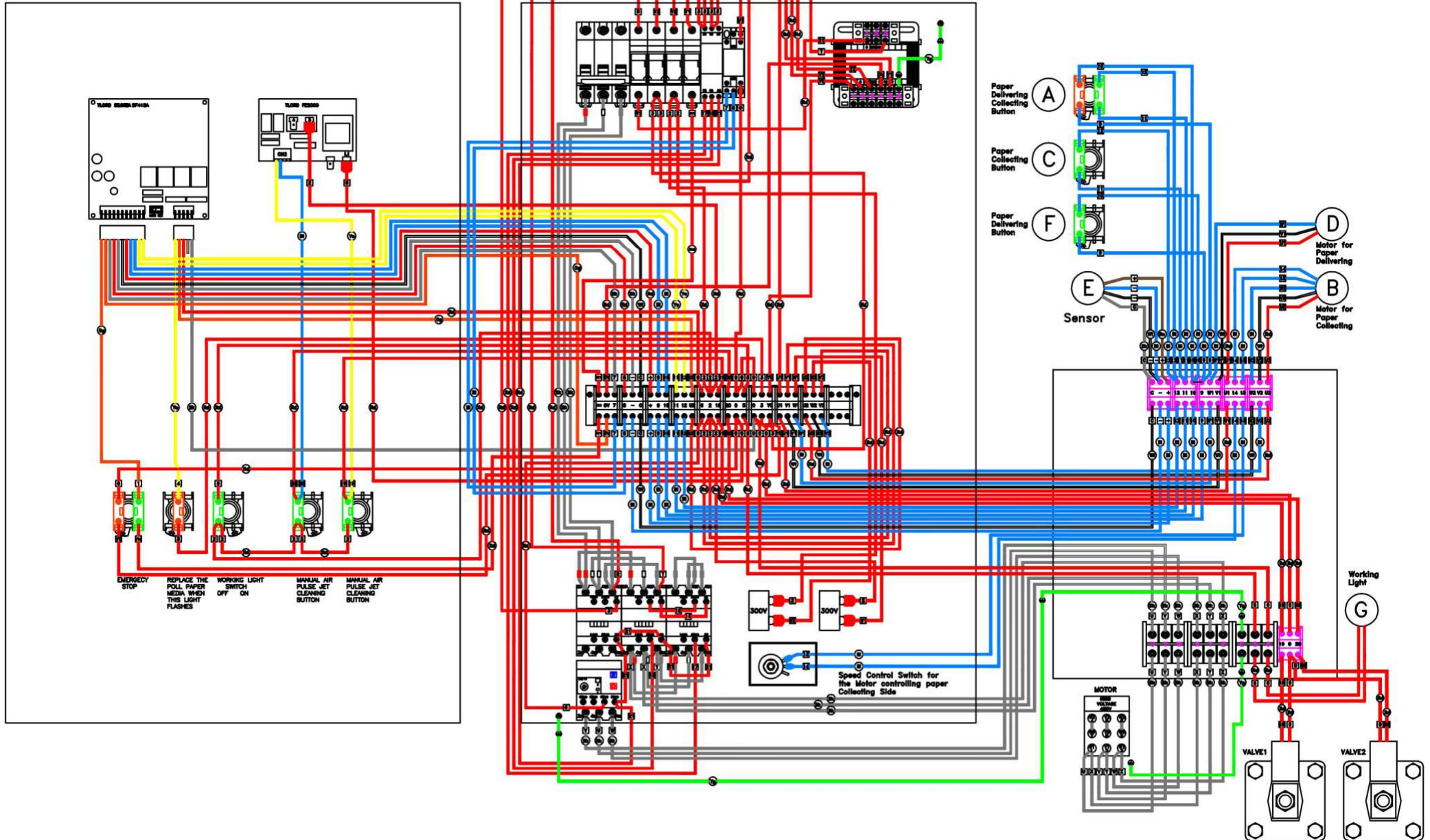


Main Electrical Box Wiring For SRU-4000

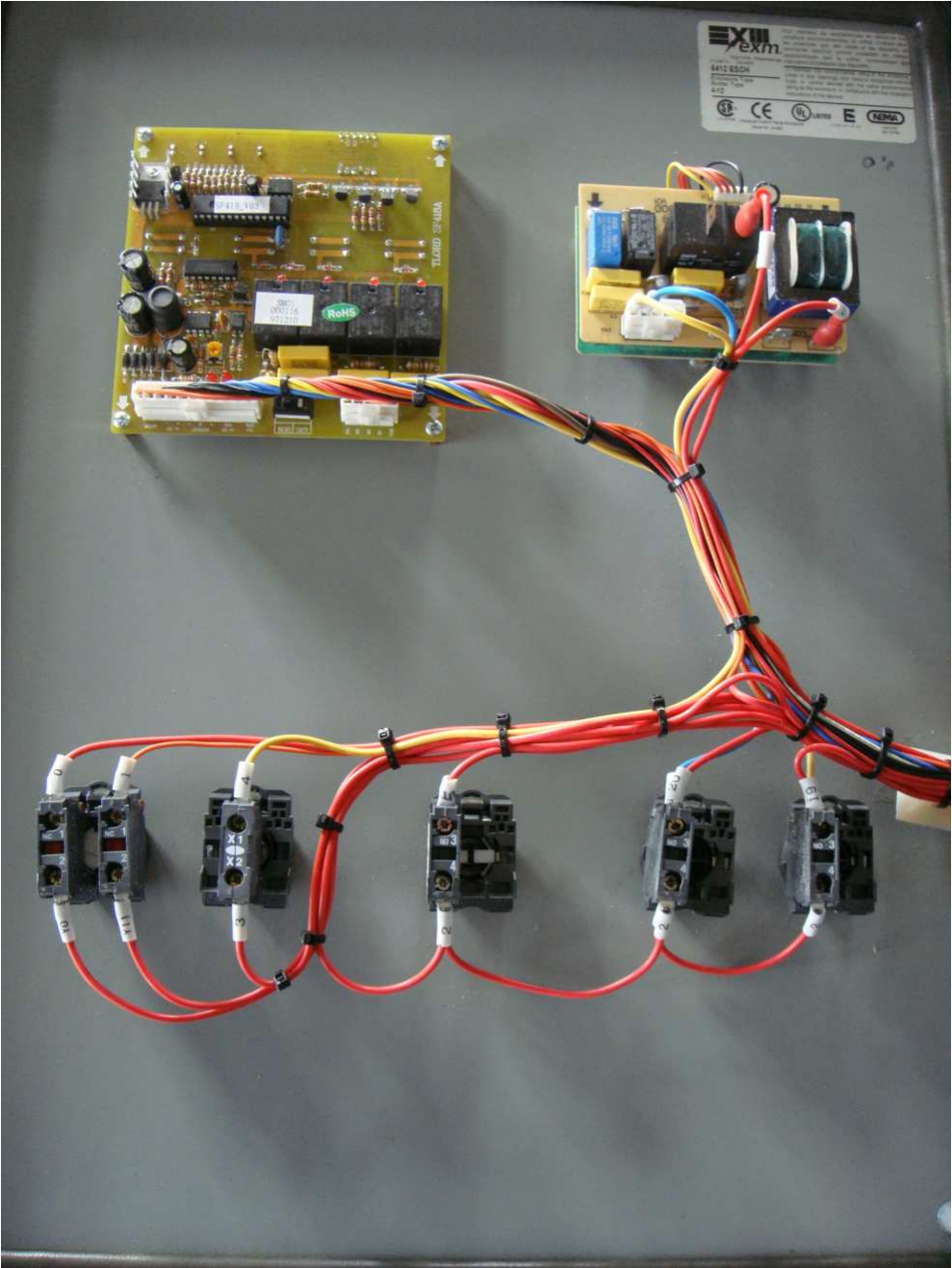
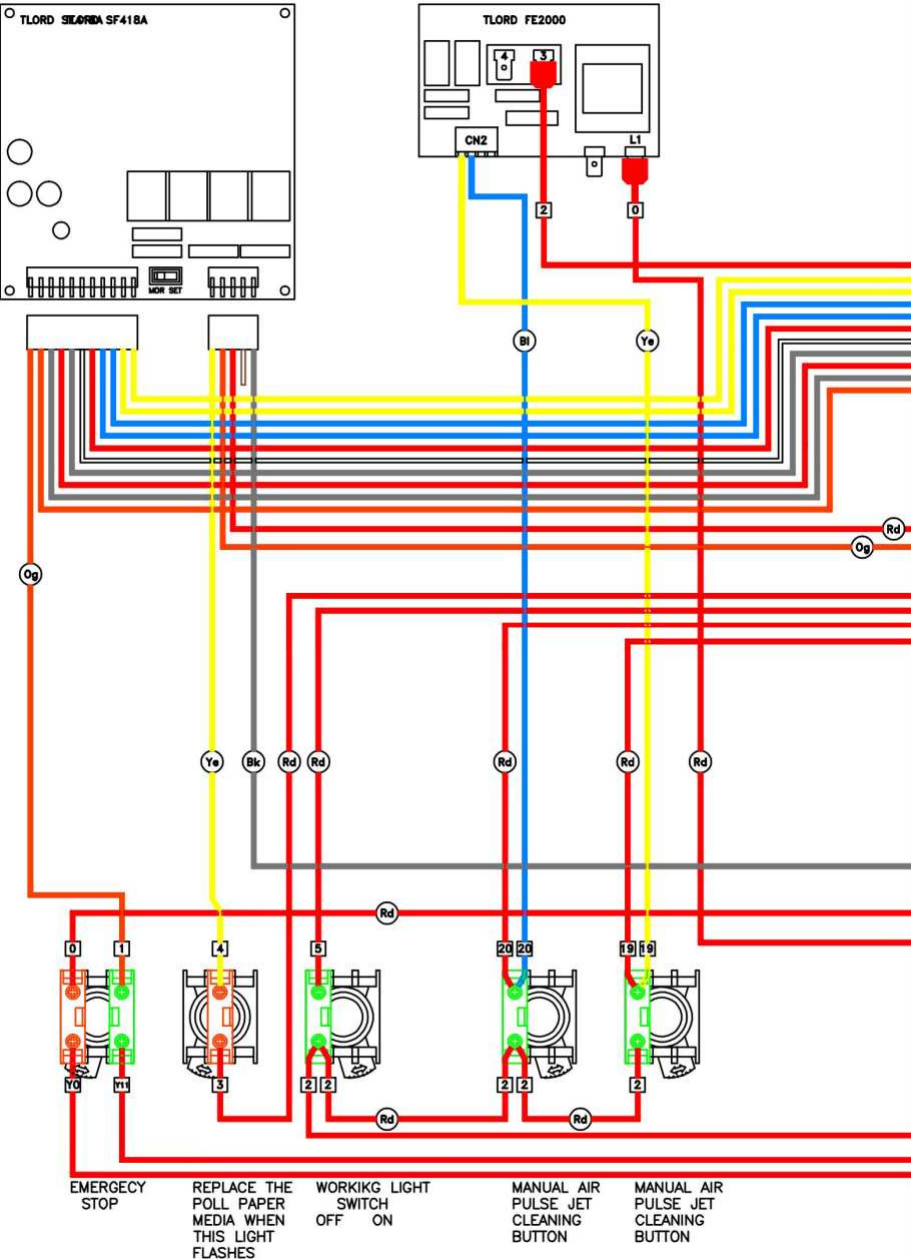
Part-A

Part-B

Part-C

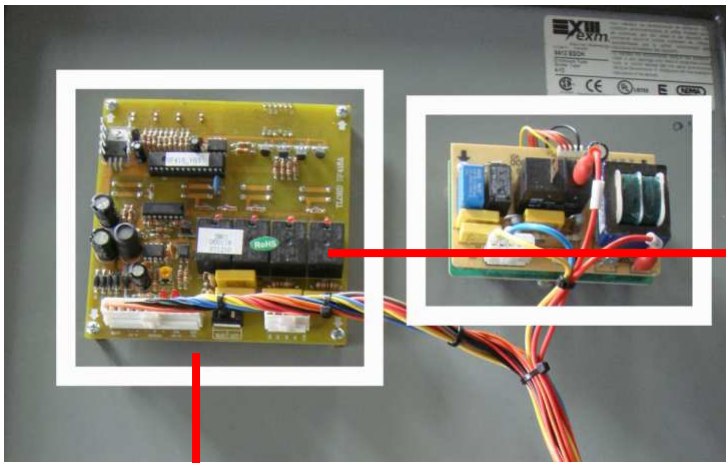


Part-A

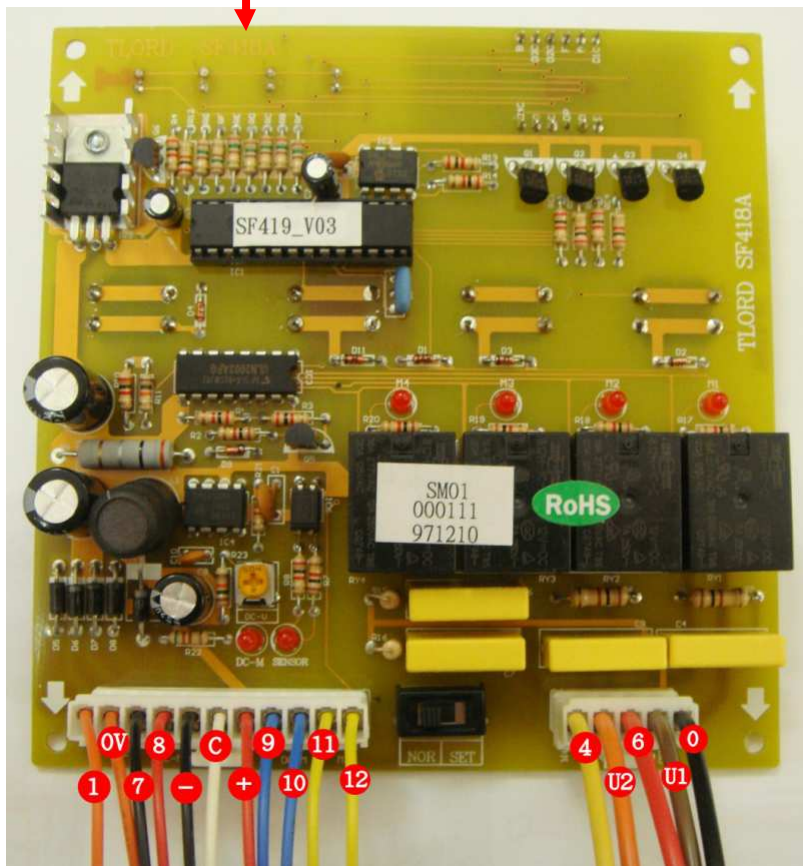
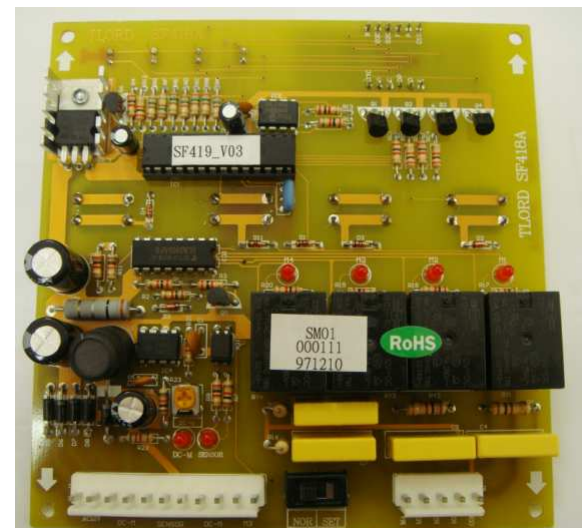


Main Electrical Box Components

◆ IC Board ((Front)



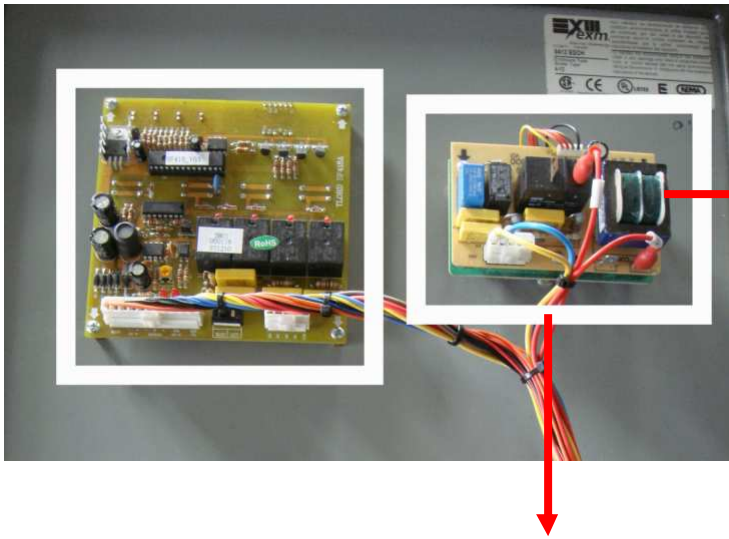
◆ IC Board (Back)



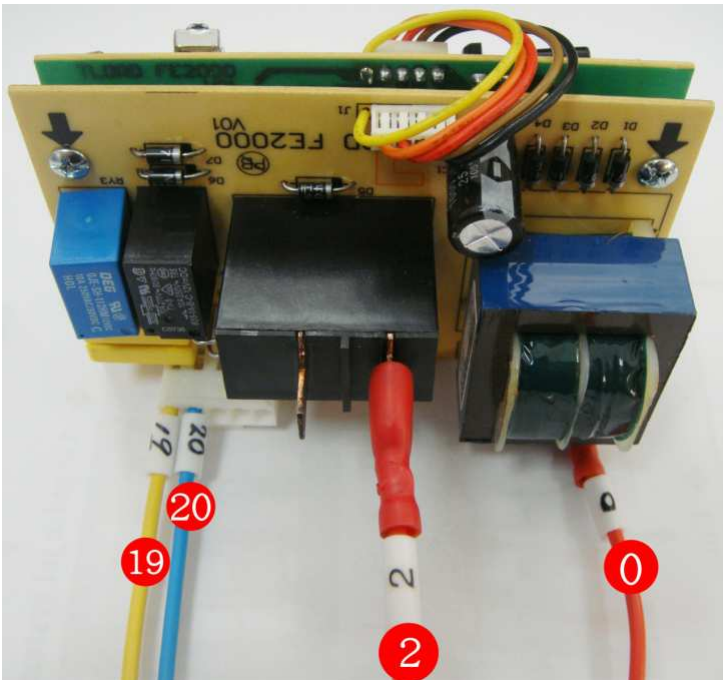
- ◆ 1 & 0V : The main power for IC Board.
- ◆ 7 & 8 : Motor for Paper Delivering.
- ◆ - & C & + : Sensor.
- ◆ 9 & 10 : Paper Delivering Button.
- ◆ 11 & 12 : Paper Collecting Button.
- ◆ 4 : Replace the roll paper media when this light flashes.
- ◆ U2 : Motor for Paper Collecting.
- ◆ U1 : Motor for Paper Conveyor.
- ◆ 6 : The blower.

Main Electrical Box Components

◆ IC Board ((Front)

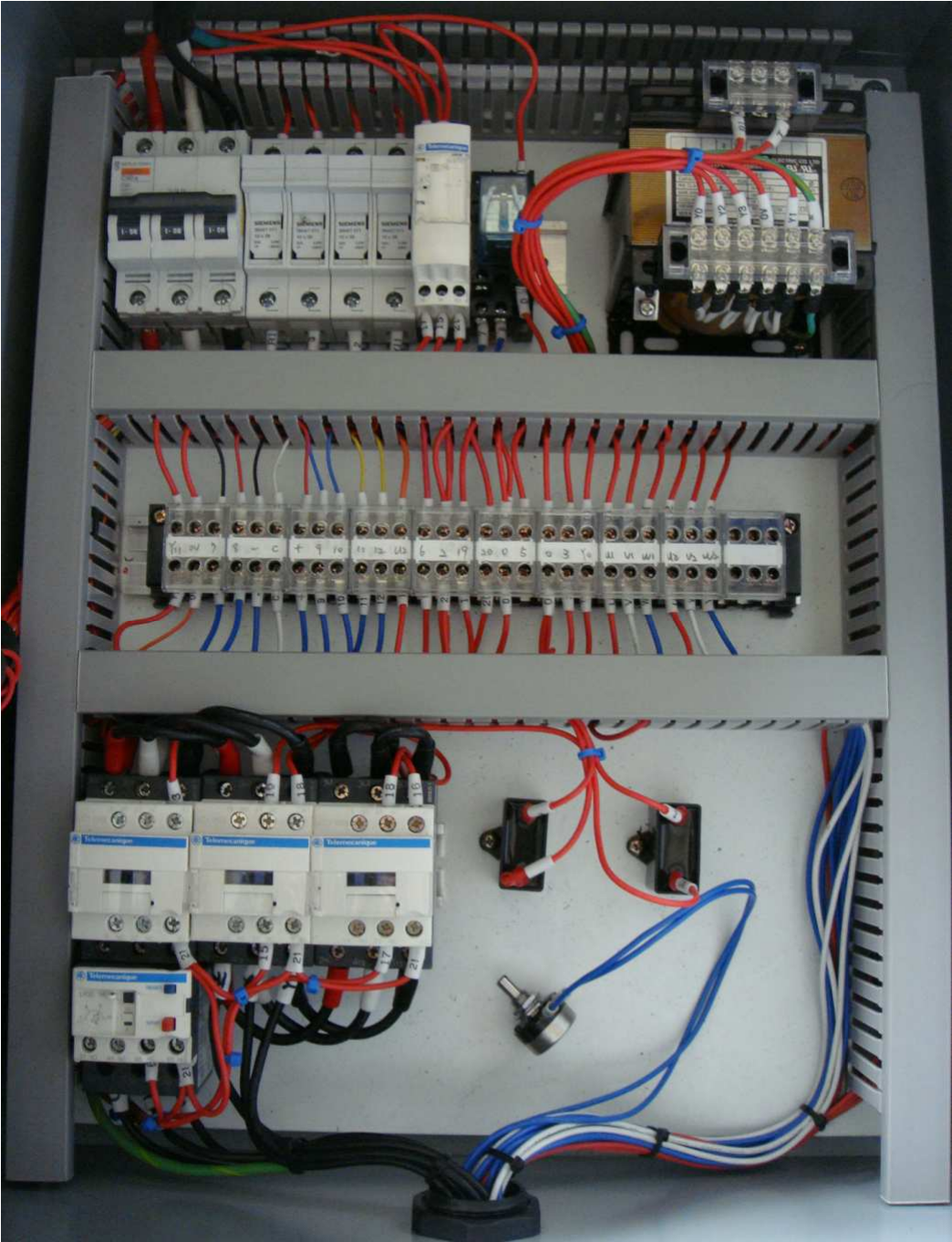
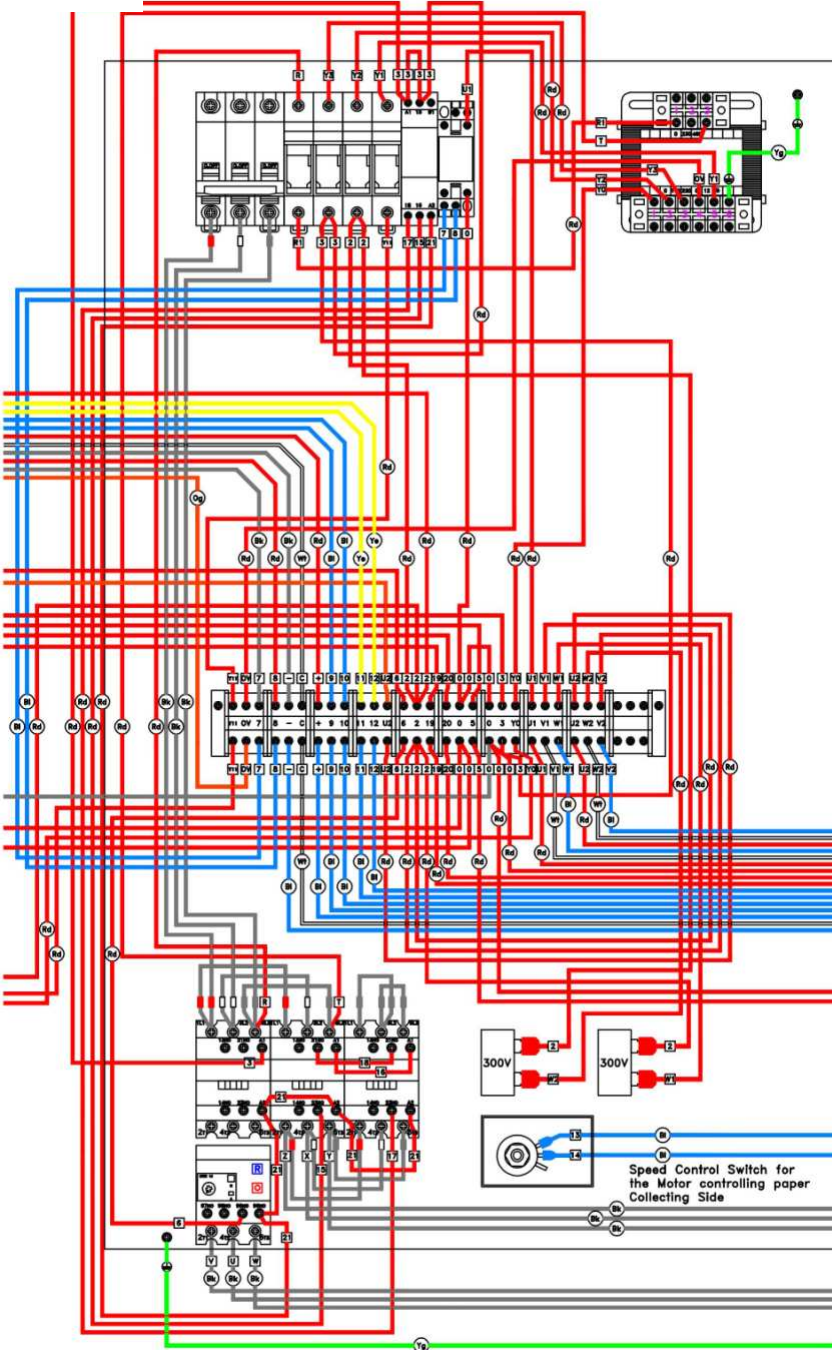


◆ IC Board (Back)

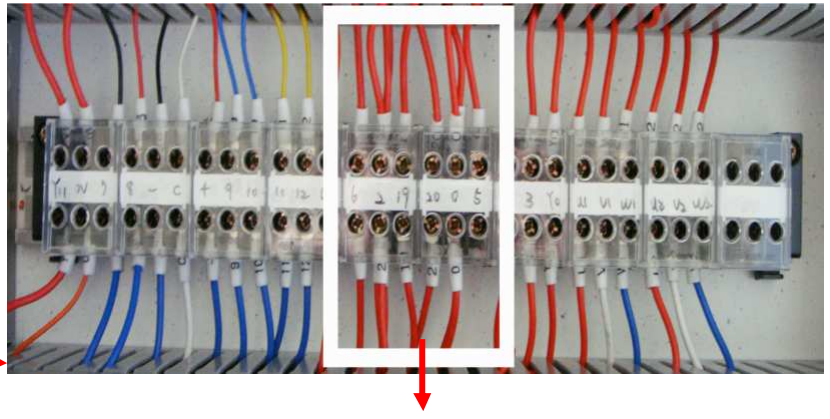
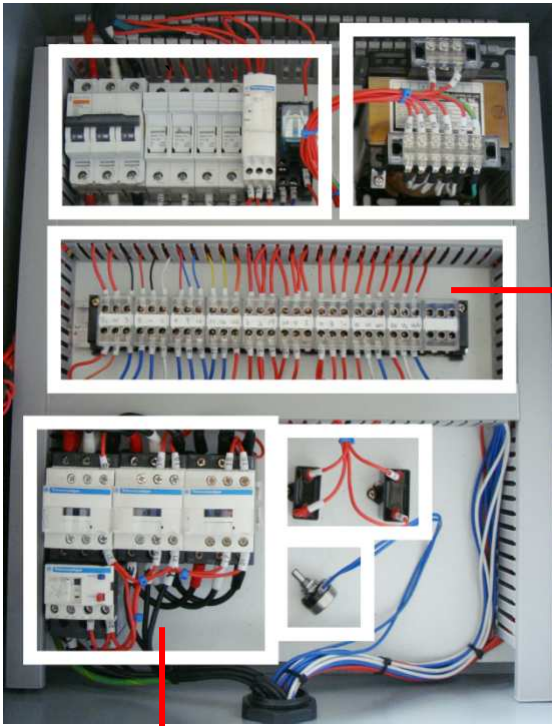


- ◆ 0 & 2 : The main power .
- ◆ 19 & 20 : Air pulse jet system.

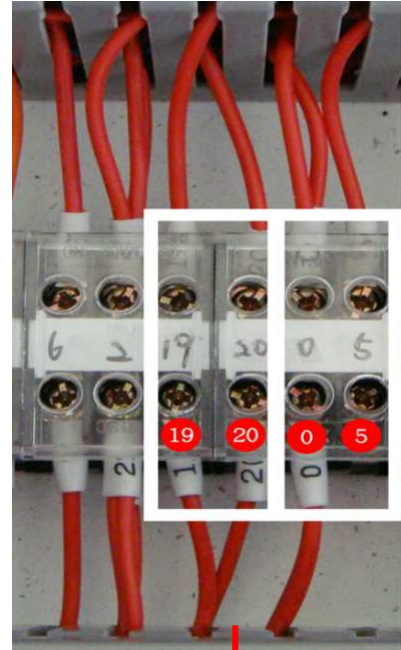
Part-B



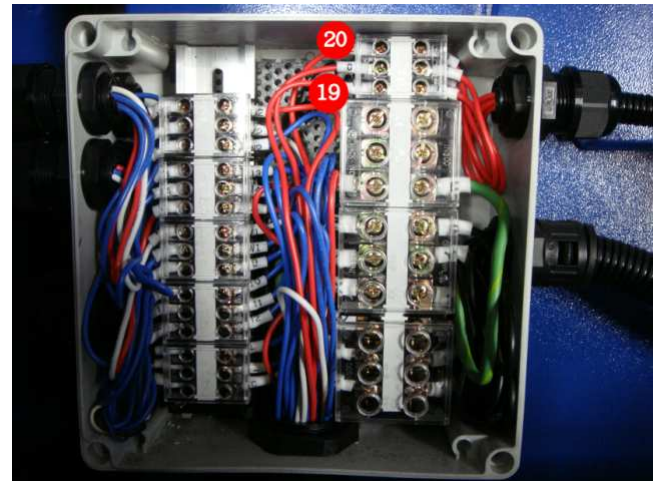
Main Electrical Box Components



- ◆ 19 & 20 : Air pulse jet system.
- ◆ 0 & 5 : Light.



- ◆ Contactor and thermal relay. (10HP-460V)

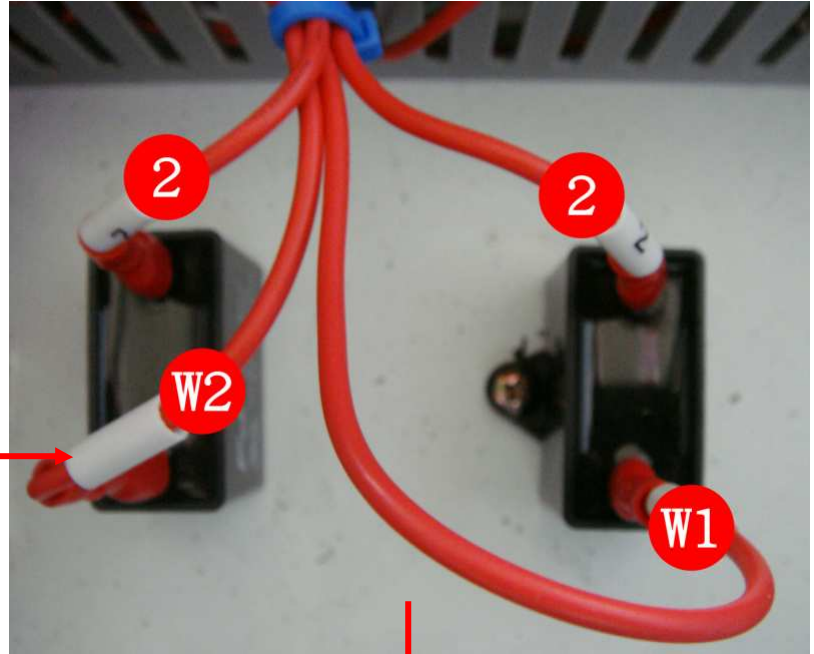
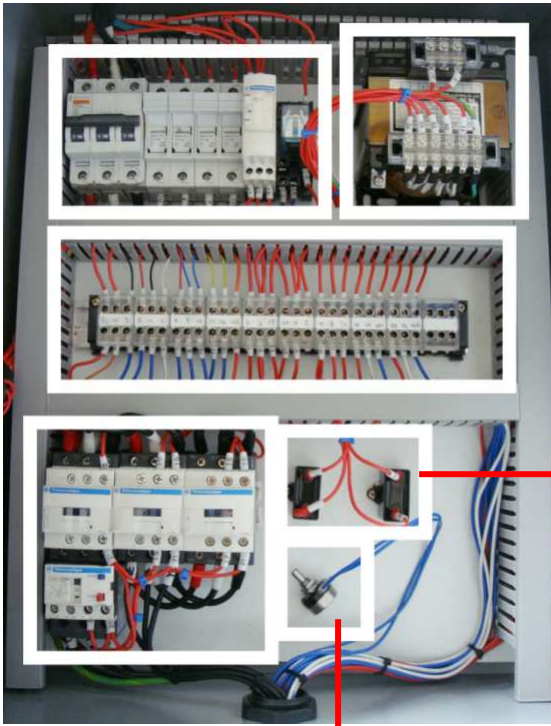


- ◆ Coin



Main Electrical Box Components

◆ Motor Starting Capacitor.



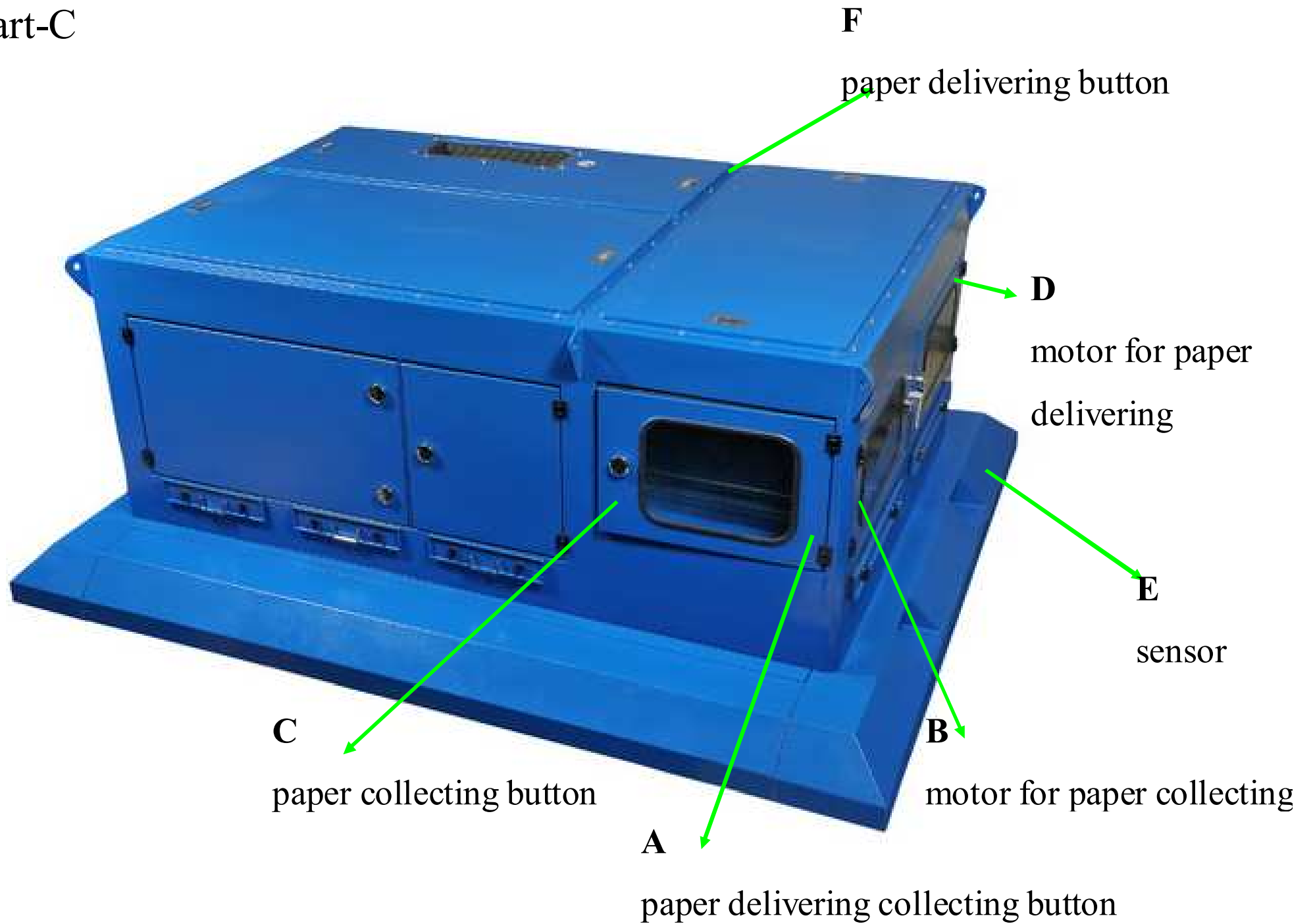
◆ Be carefully! Don't touch.

- ◆ Speed control switch for the motor controlling paper collecting side.

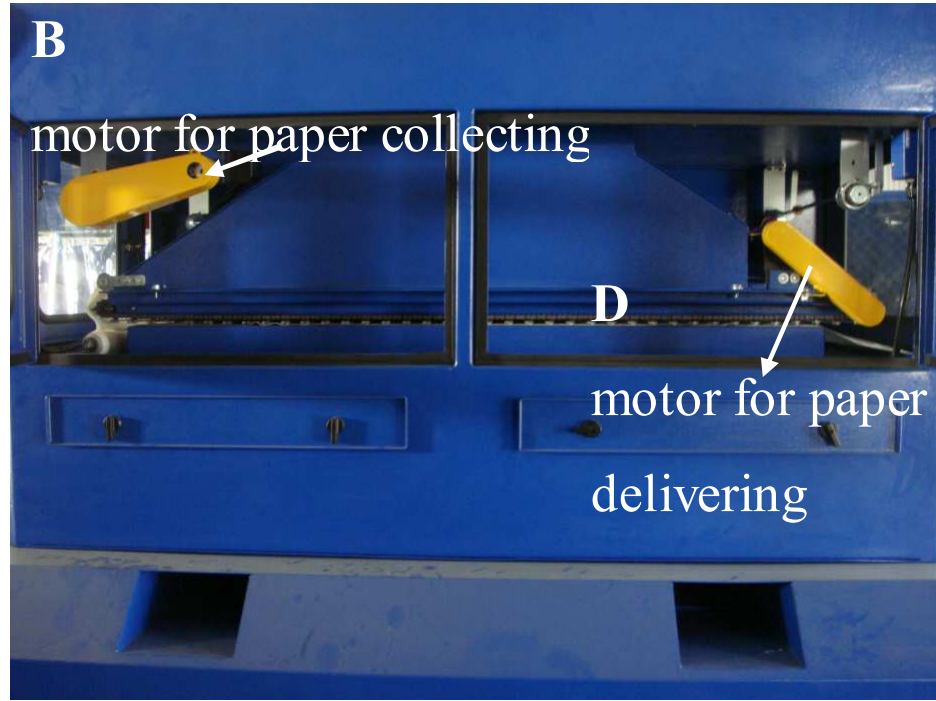
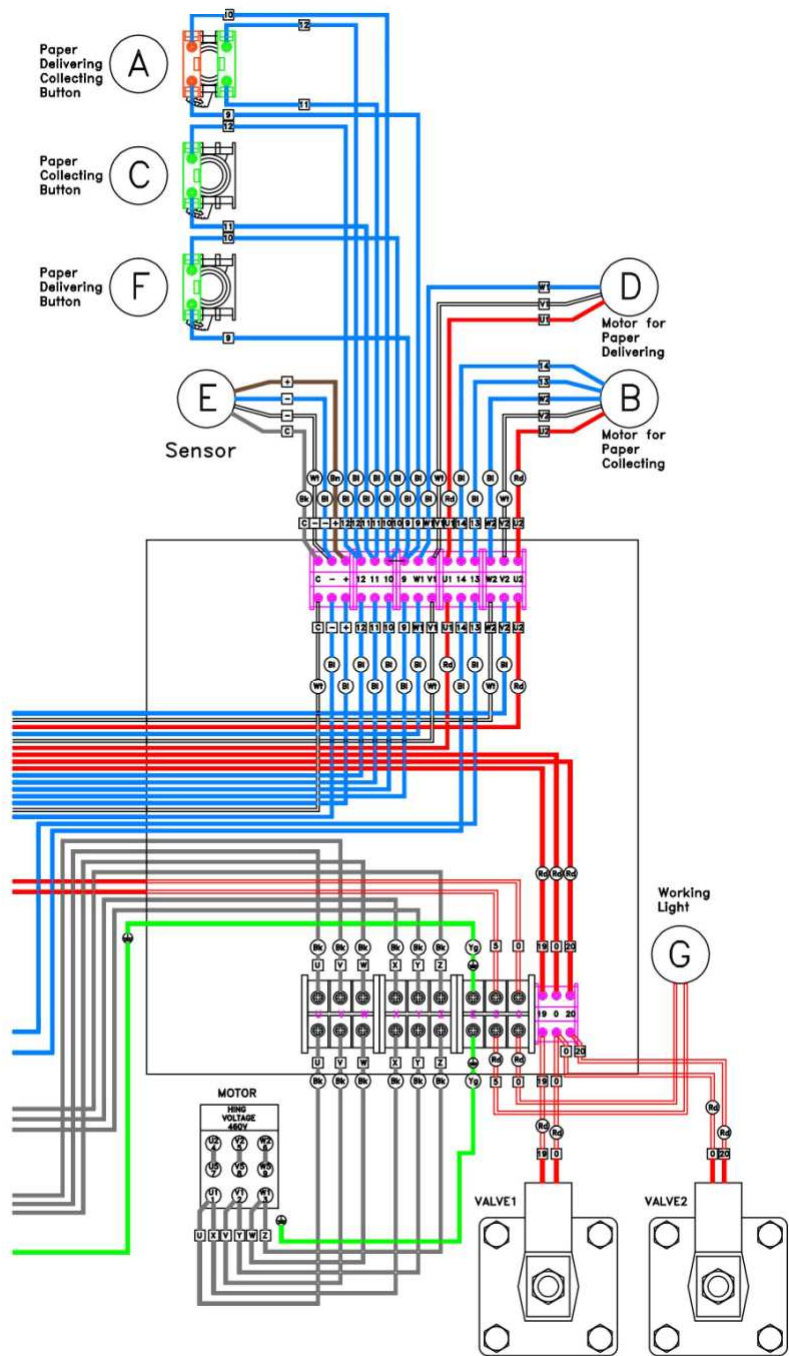


- ◆ 2 & W2 : The Capacitor of motor for Paper Collecting.
- ◆ 2 & W2 : The Capacitor of motor for Paper Delivering.

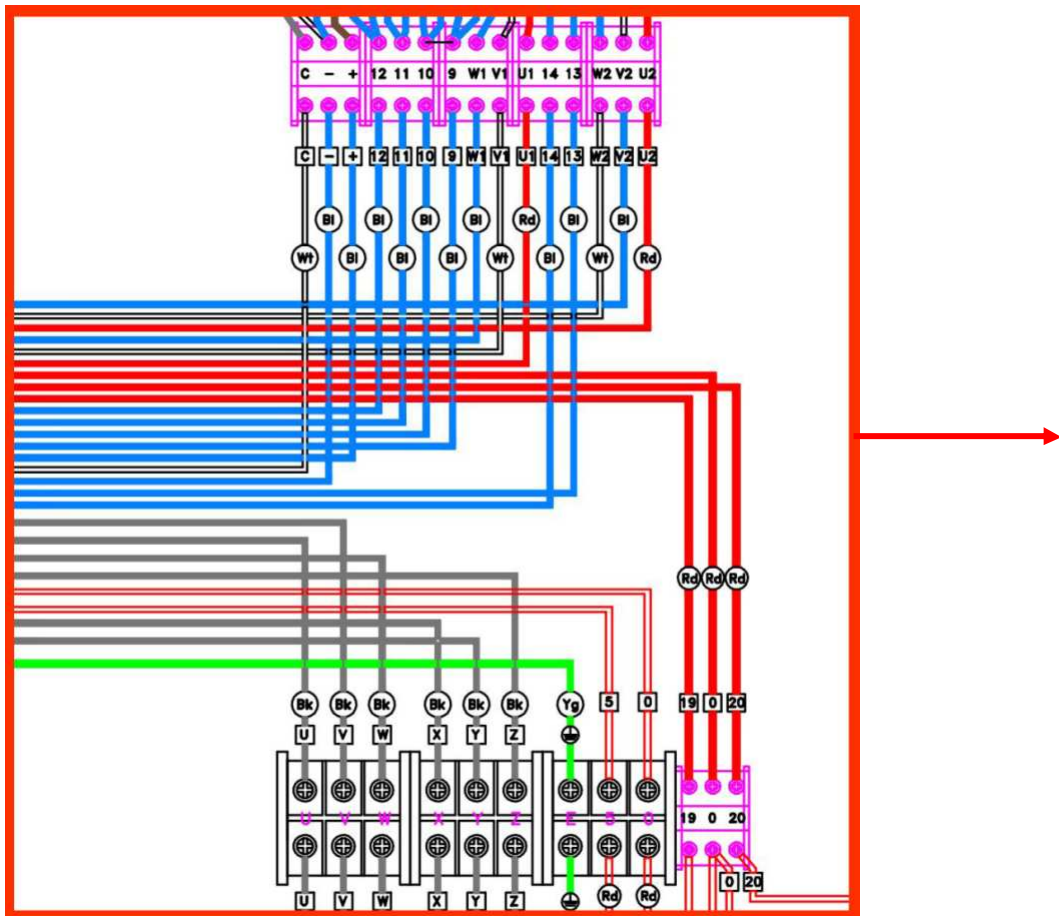
Part-C



Part-C



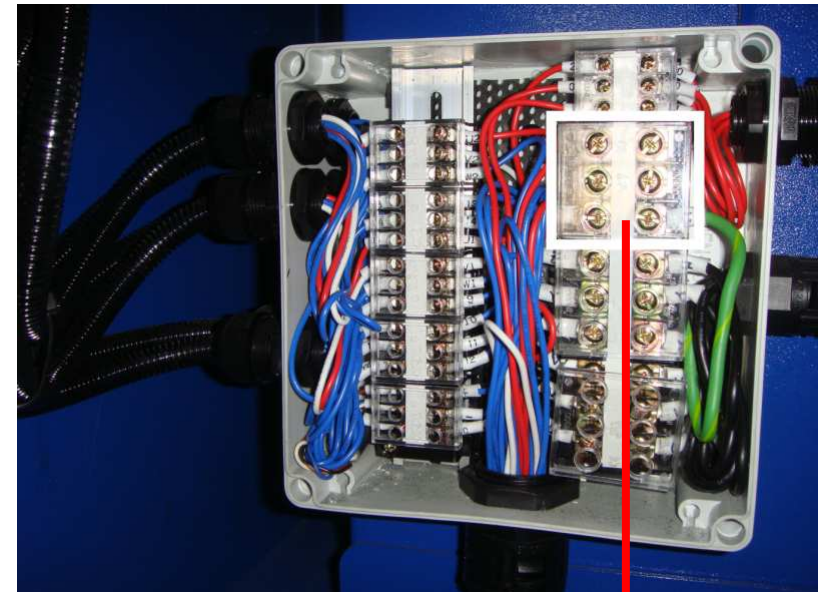
Main Electrical Box Components



- ◆ Electrical junction box for roll media delivering/collecting and working light **(Front)**.

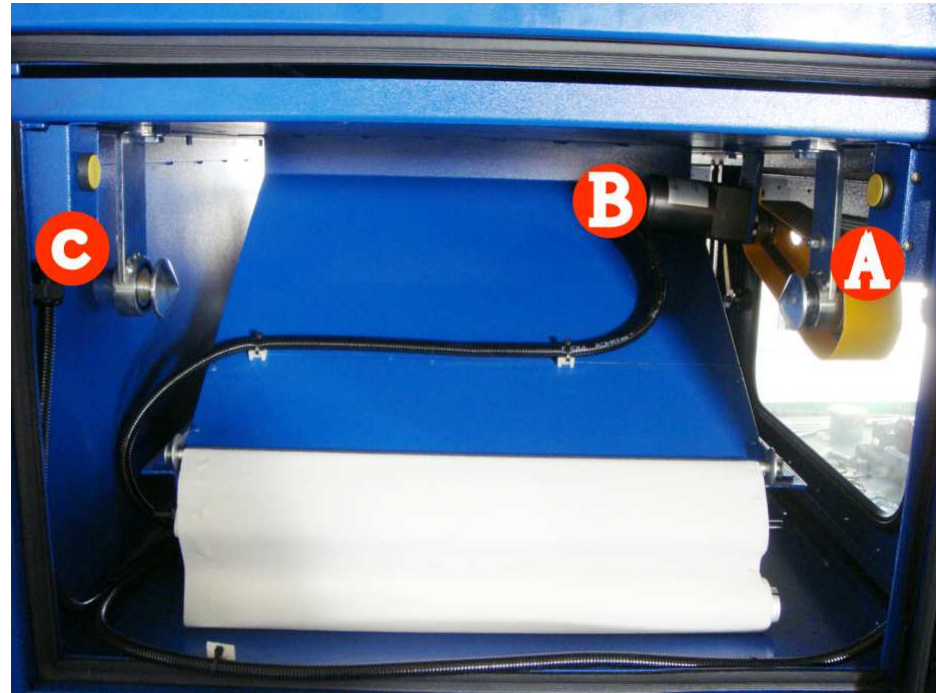
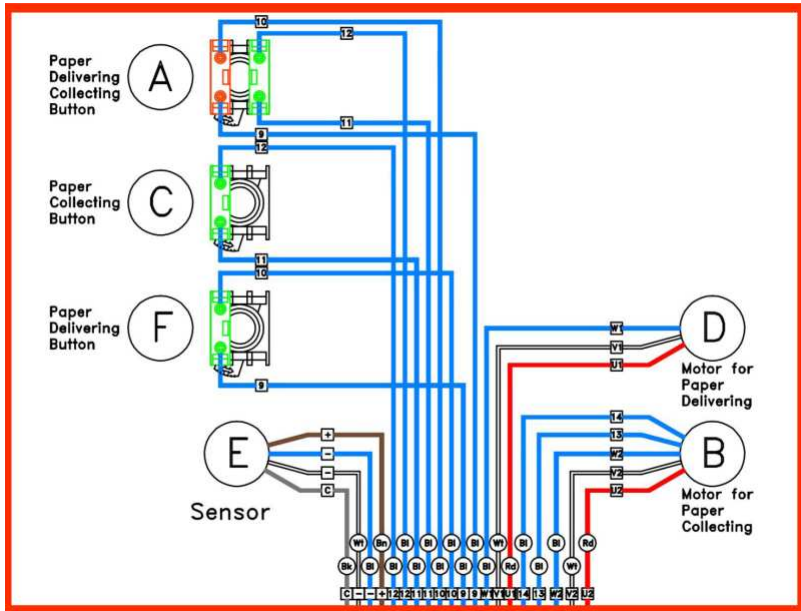


- ◆ Electrical junction box for roll media delivering/collecting and working light **(Back)**.



- ◆ The Terminal Blocks for Light.

Main Electrical Box Components



◆ A : Paper Delivering/Collecting Button.

◆ B : Motor for Paper Collecting.

◆ C : Paper Collecting Button.



Main Electrical Box Components

