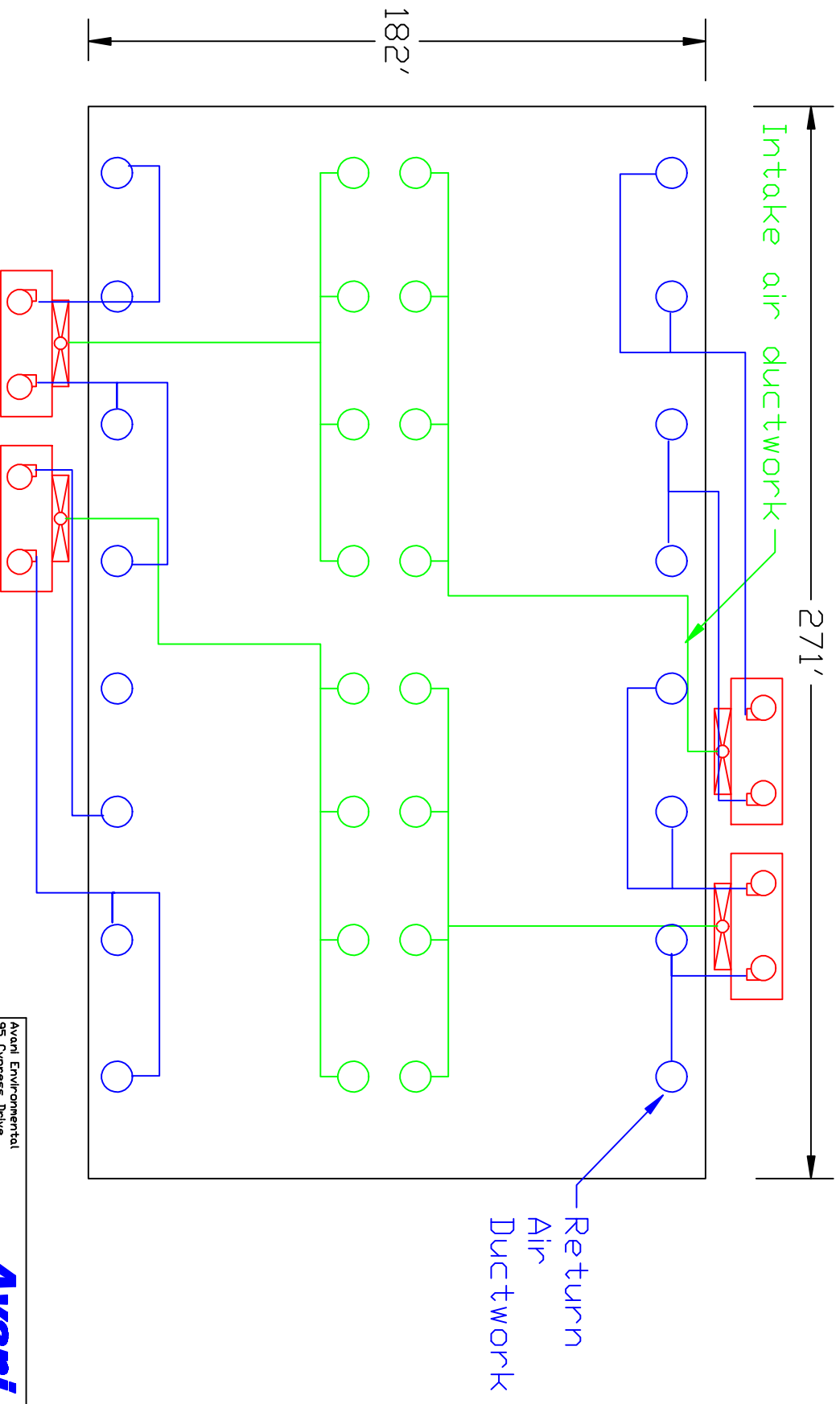


Ductwork Layout for dust collectors

Plan View



Avanti Environmental
95 Cypress Drive 27596
Roumbsville, NC
P# 919-570-2862 F# 919-570-2863



Project: Mickey Body

Drawing: Ductwork layout

Date: 8/26/11 Drawn by: RAV

Sheet No: