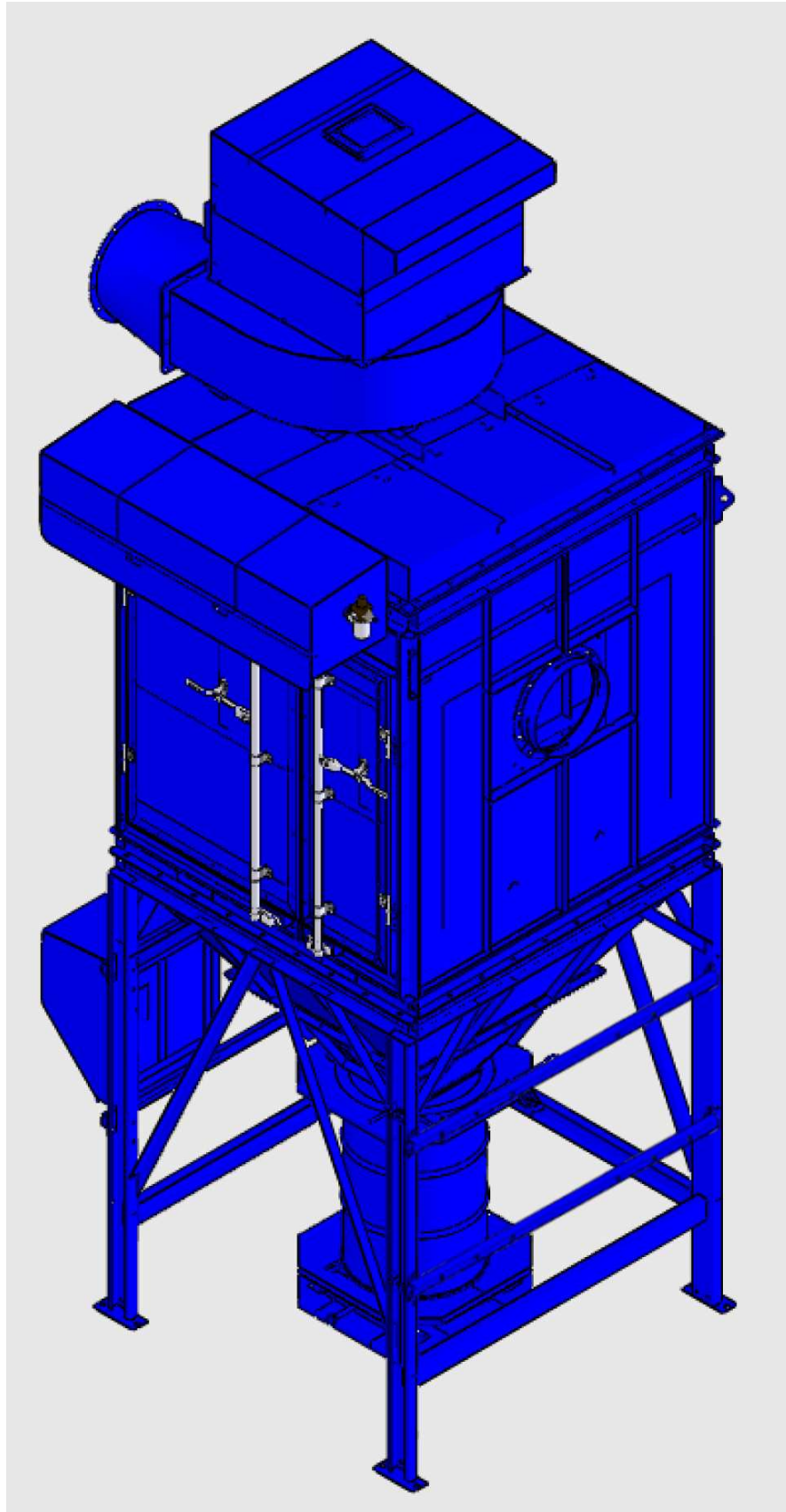


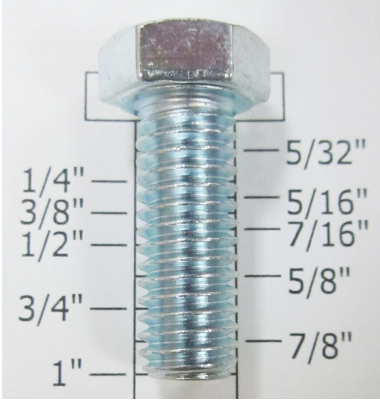


✚ **Installations for the unit for SDC-10-12.**



## 🔧 Installations for the unit for SDC-10-12.

- Assemble **upper unit** to **lower unit** using :

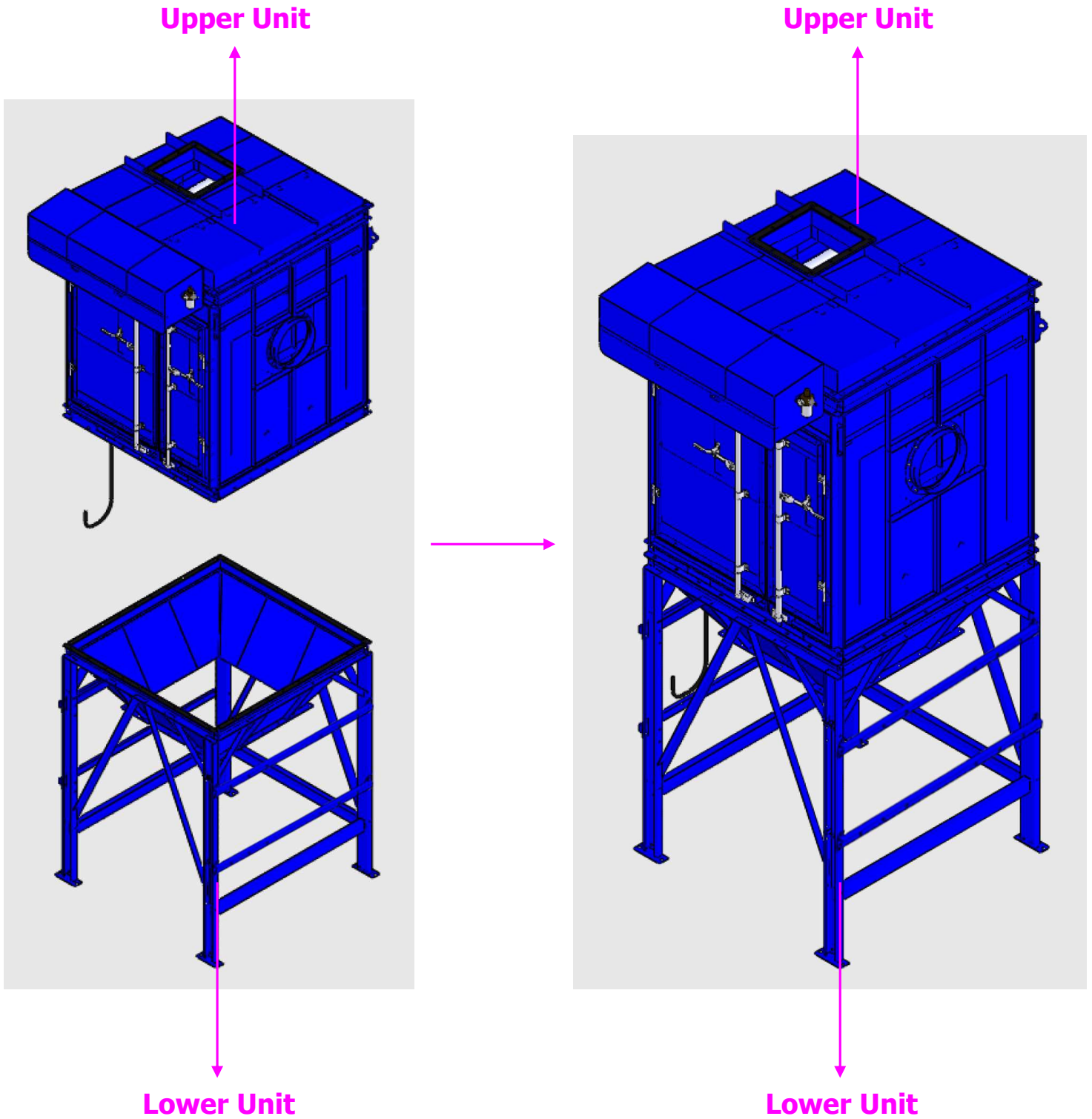
### Hardware A

Part name	Description	Photo	Q'ty	Grainger Model #
Hex Screw	3/8" x 1"		42	1YU43
Flat Washer	3/8" x OD23 x 2T		84	*1JY33
Split Lock Washer	3/8"		42	6DYV1

Hex Nut	3/8"		42	2FE57
Rubber Washer	M12		42	

**(\*) Hardware item at similar spec available locally.**

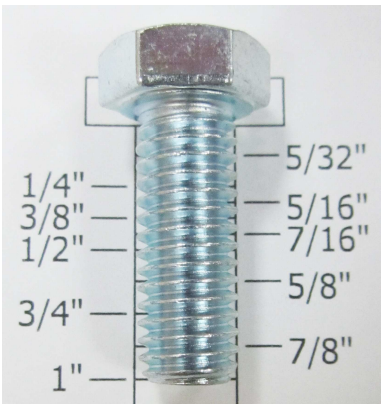


**Installations for the unit for SDC-10-12.**



## ✚ Installations for the unit for SDC-10-12.

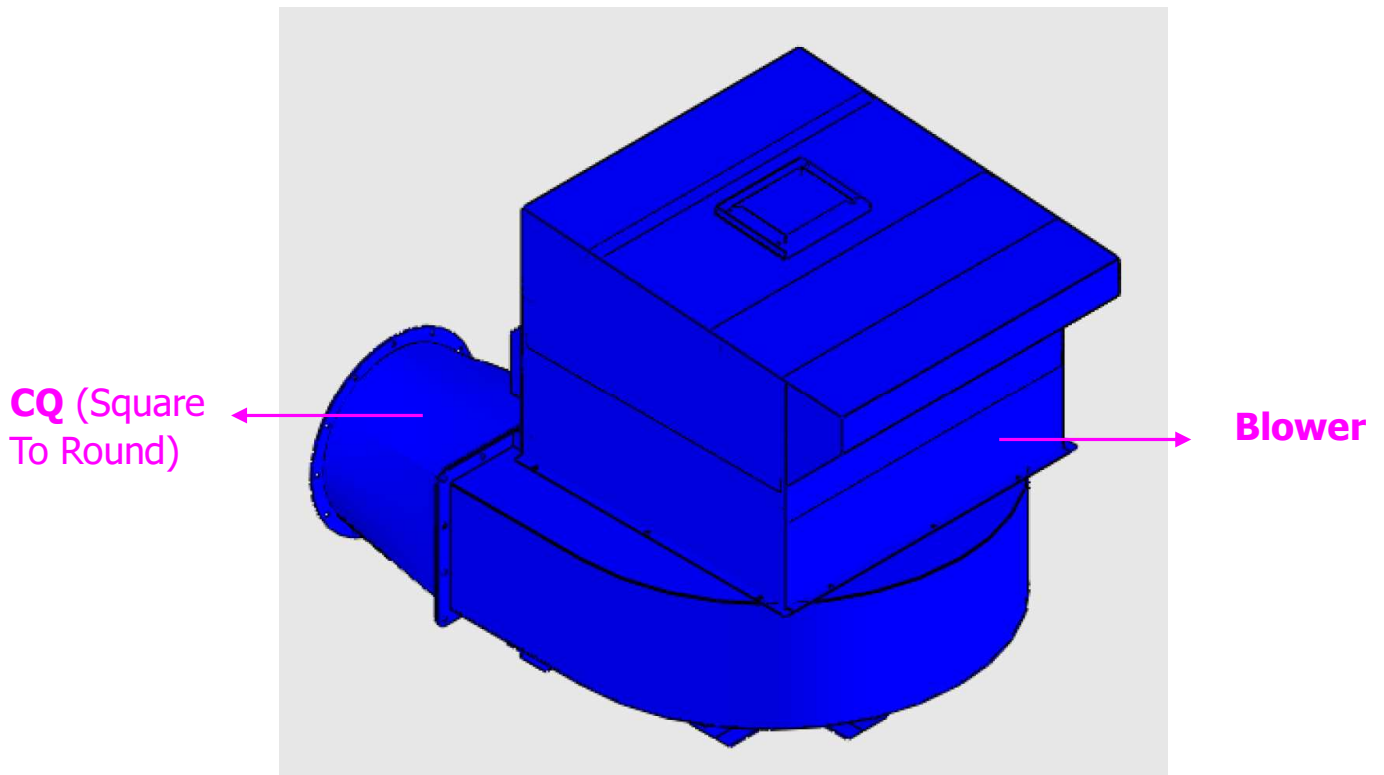
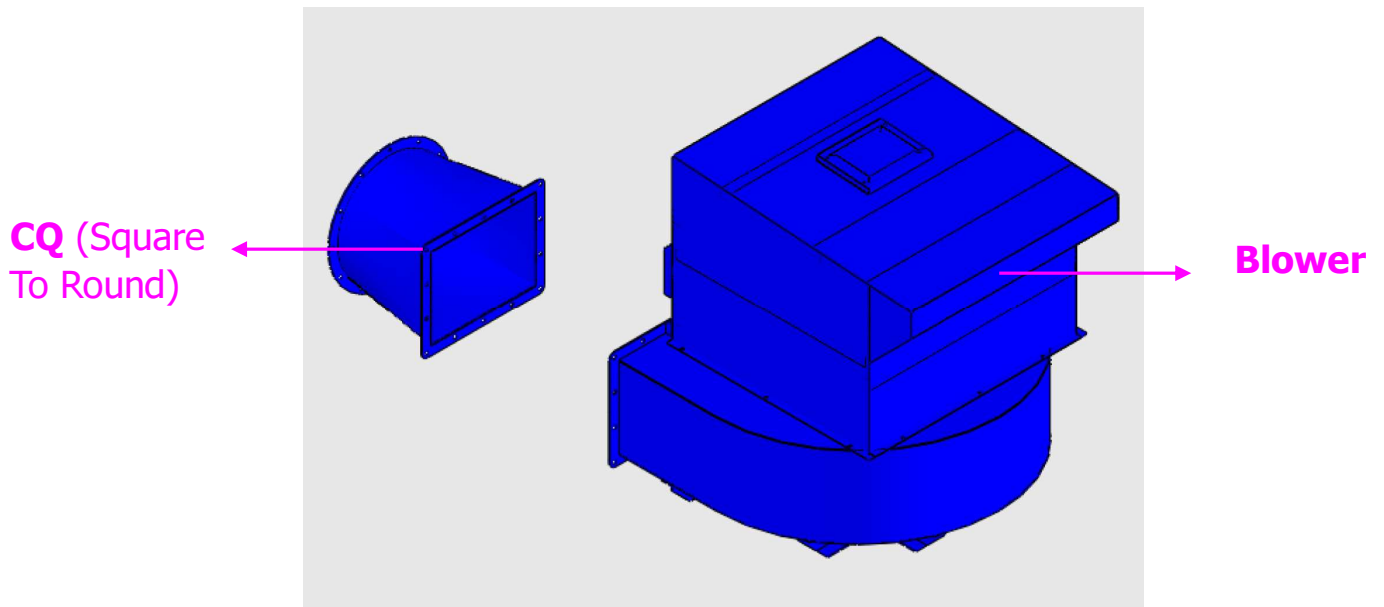
- Take out the number : **CQ** (Square To Round).
- Assemble **CQ** (Square To Round) to **Blower housing**

using :

Hardware D				
Part name	Description	Photo	Q'ty	Grainger Model #
Hex Screw	3/8" x 1"		12	1YU43
Flat Washer	3/8" x OD23 x 2T		24	*1JY33
Hex Nut	3/8"		12	2FE57

(\* Hardware item at similar spec available locally.

## ✚ Installations for the unit for SDC-10-12.



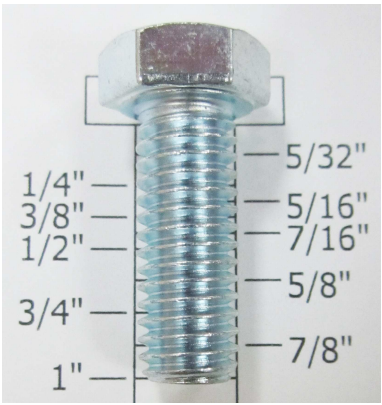


## ✚ Installations for the unit for SDC-10-12.

- Take out the **Flanged Connection**.
- Secure **Flanged Connection** to **Square To Round**

using :

- 

### Hardware C

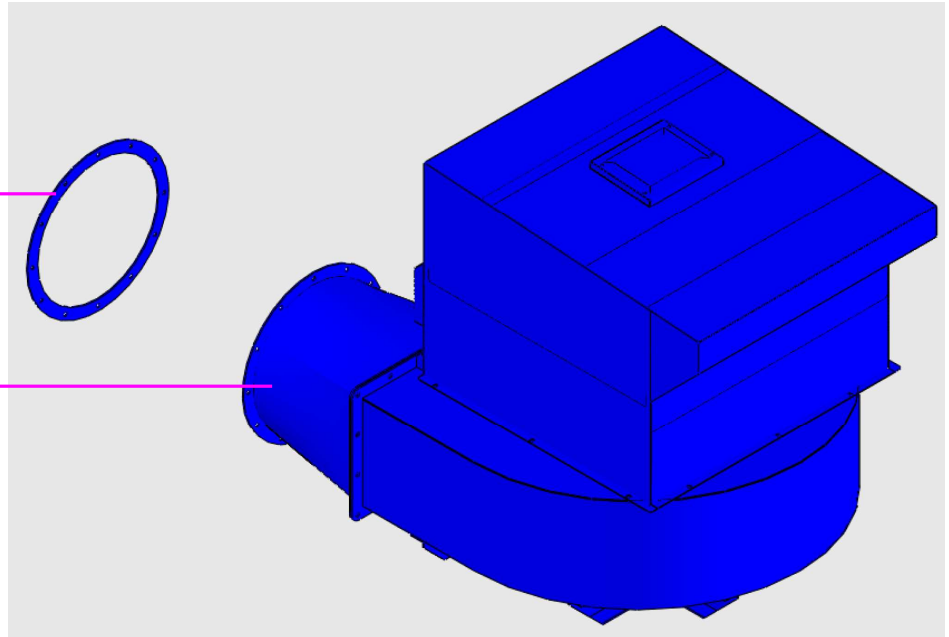
Part name	Description	Photo	Q'ty	Grainger Model #
Hex Screw	3/8" x 1"		12	1YU43
Flat Washer	3/8" x OD23 x 2T		24	*1JY33
Hex Nut	3/8"		12	2FE57

(\* Hardware item at similar spec available locally.

## ✚ Installations for the unit for SDC-10-12.

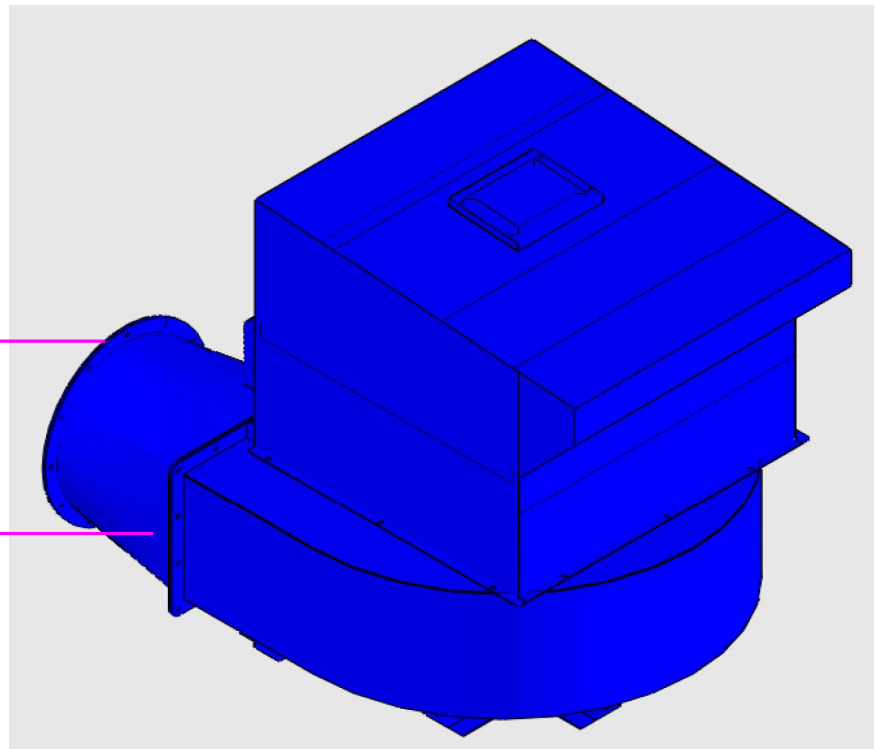
**Flanged Connection**

**CQ (Square To Round)**



**Flanged Connection**

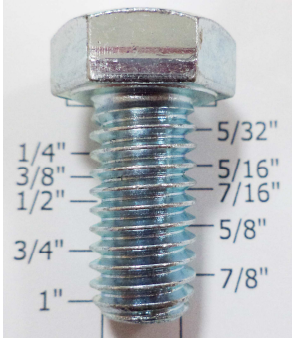



**CQ (Square To Round)**





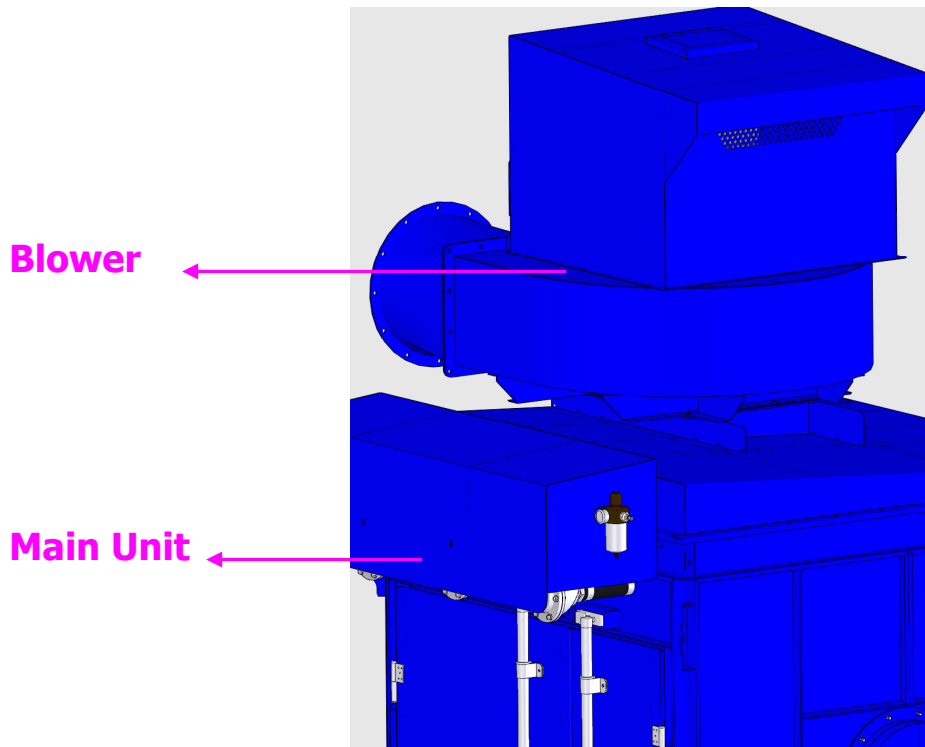
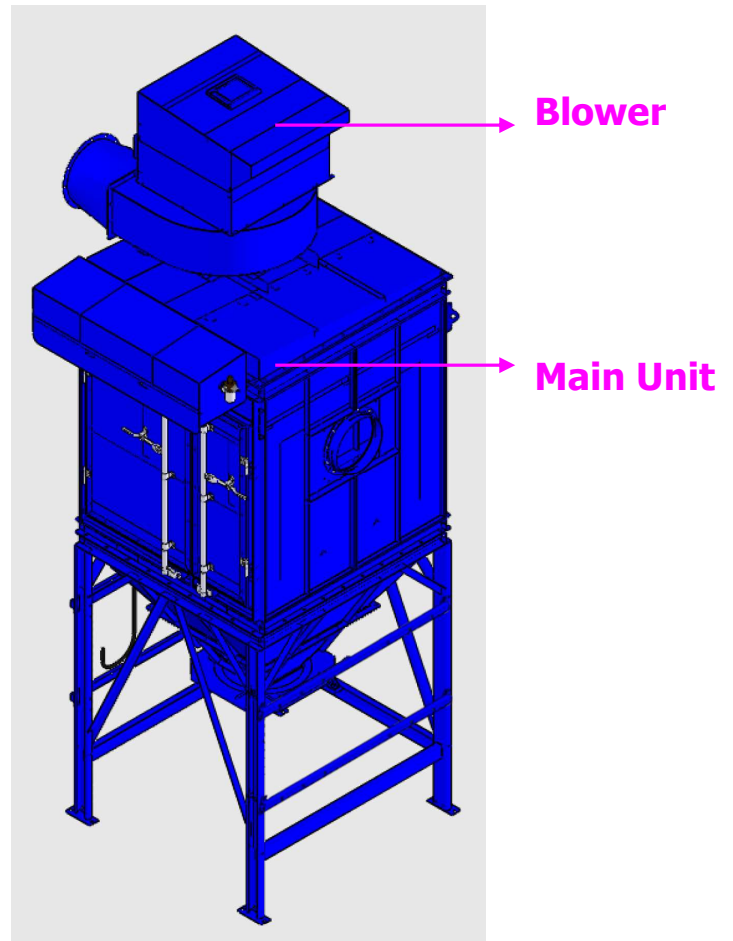
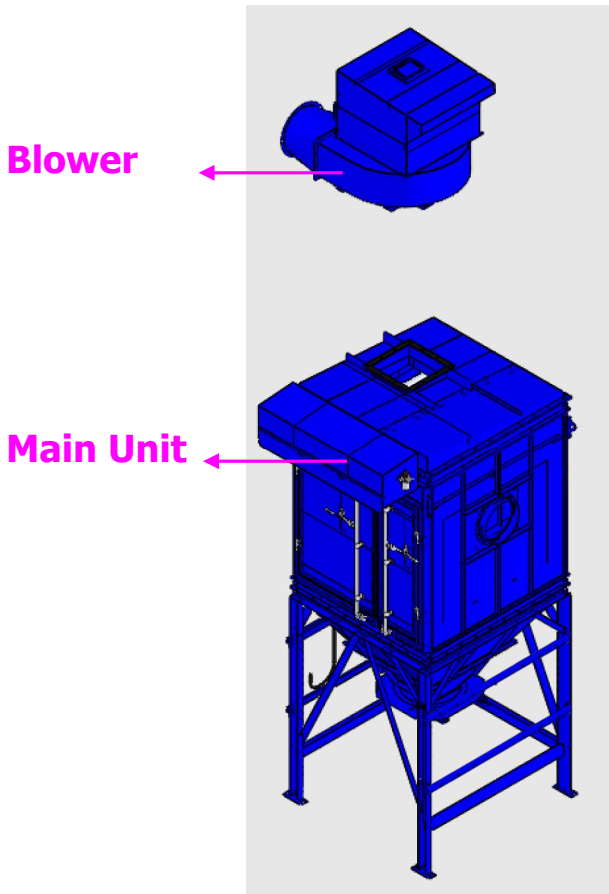
## 🔧 Installations for the unit for SDC-10-12.

- Assemble **Blower** to main unit using :

<b>Hardware B</b>				
Part name	Description	Photo	Q'ty	Grainger Model #
Hex Screw	1/2" x 1"		12	1YU61
Flat Washer	1/2" x OD25 x 2T		24	*1JY35
Split Lock Washer	1/2"		12	6FYC3
Hex Nut	1/2"		12	2FE67

(\* Hardware item at similar spec available locally.

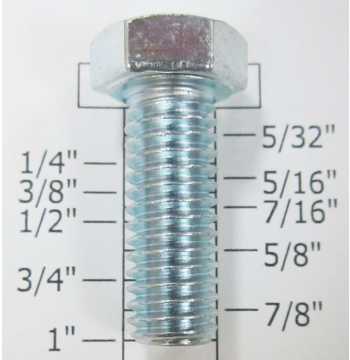


**Installations for the unit for SDC-10-12.**



## ✚ Installations for the unit for SDC-10-12.

- Take out the number: **HP**.
- Assemble **HP** (lower hopper) to **upper hopper** using :
- 

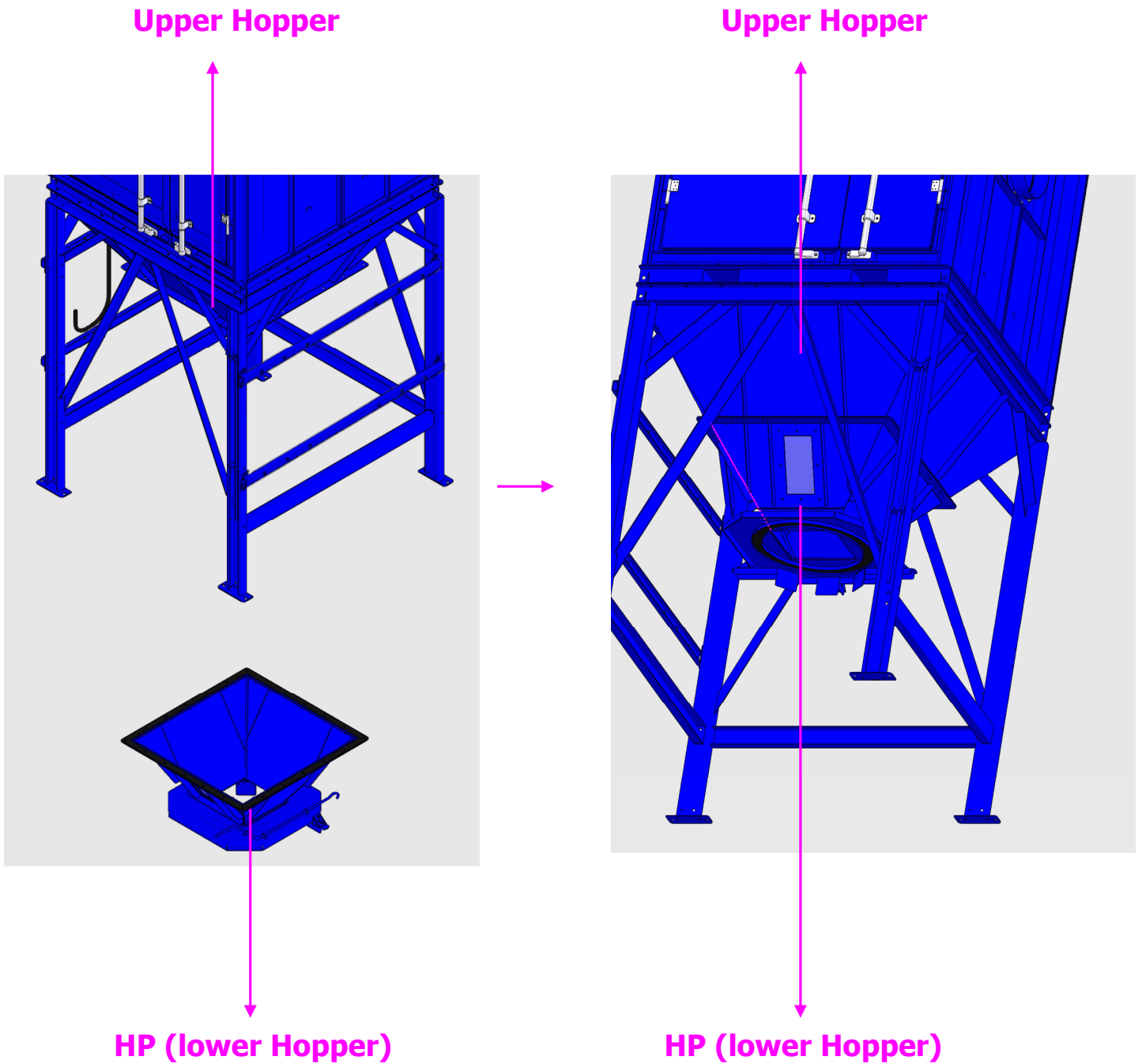
### Hardware E

Part name	Description	Photo	Q'ty	Grainger Model #
Hex Screw	3/8" x 1"		24	1YU43
Flat Washer	3/8" x OD23 x 2T		48	*1JY33
Hex Nut	3/8"		24	2FE57

(\* Hardware item at similar spec available locally.

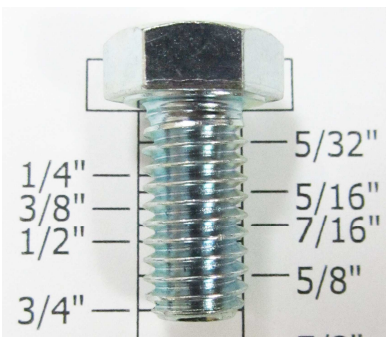

**✚ Installations for the unit for SDC-10-12.**

**Complete Assembled**



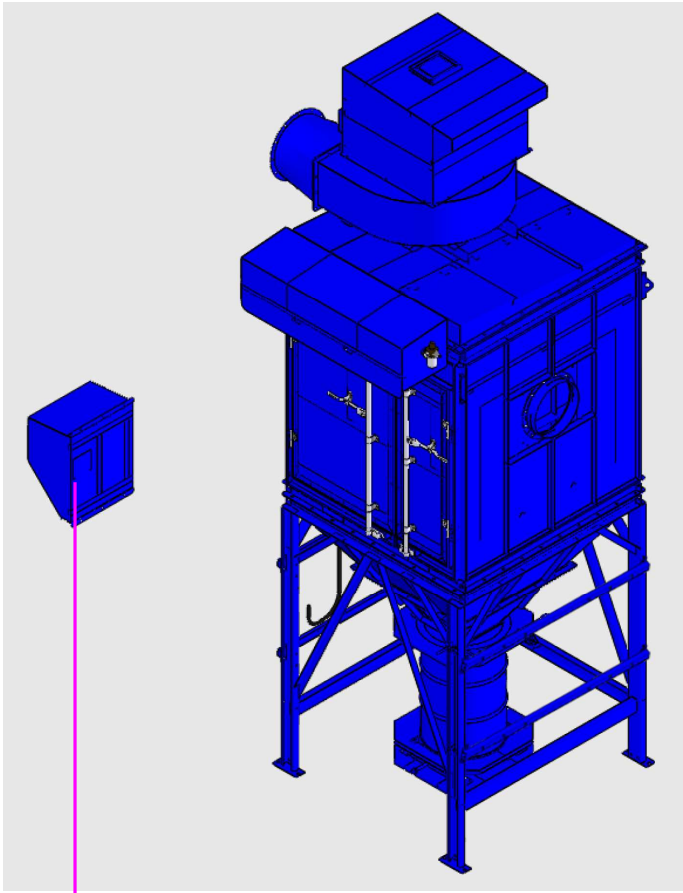
## ✚ Installations for the unit for SDC-10-12.

- Take out the Cartridge Collector Pulse Control Box Base.
- Assemble the Cartridge Collector Pulse Control Box Base, Supports and Cover using :

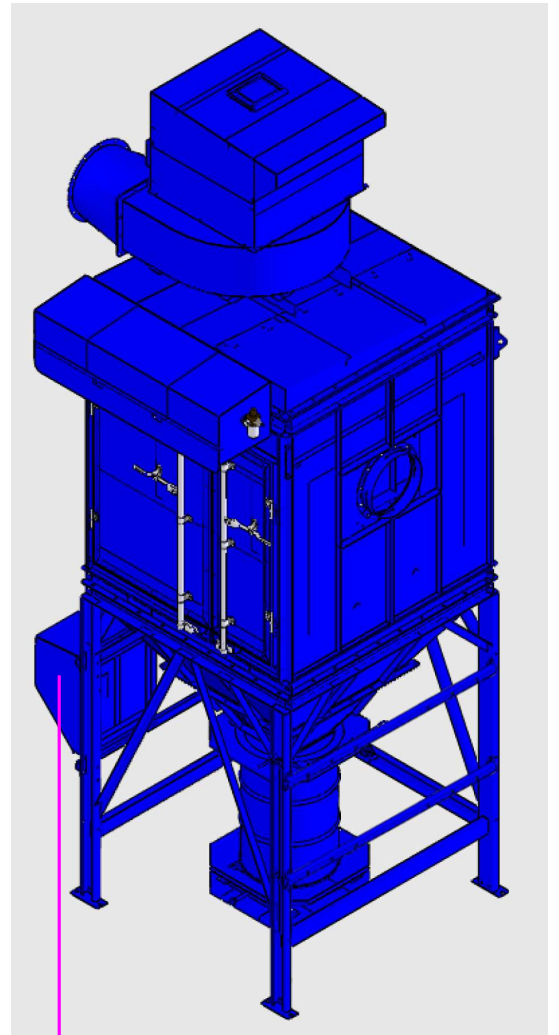
Hardware F				
Part name	Description	Photo	Q'ty	Grainger Model #
Hex Screw	3/8" x 3/4"		6	1YU42
Flat Washer	3/8" x OD23 x 2T		6	*1JY33

(\* Hardware item at similar spec available locally.

**Installations for the unit for SDC-10-12.**




**Pulse Control Box Base**



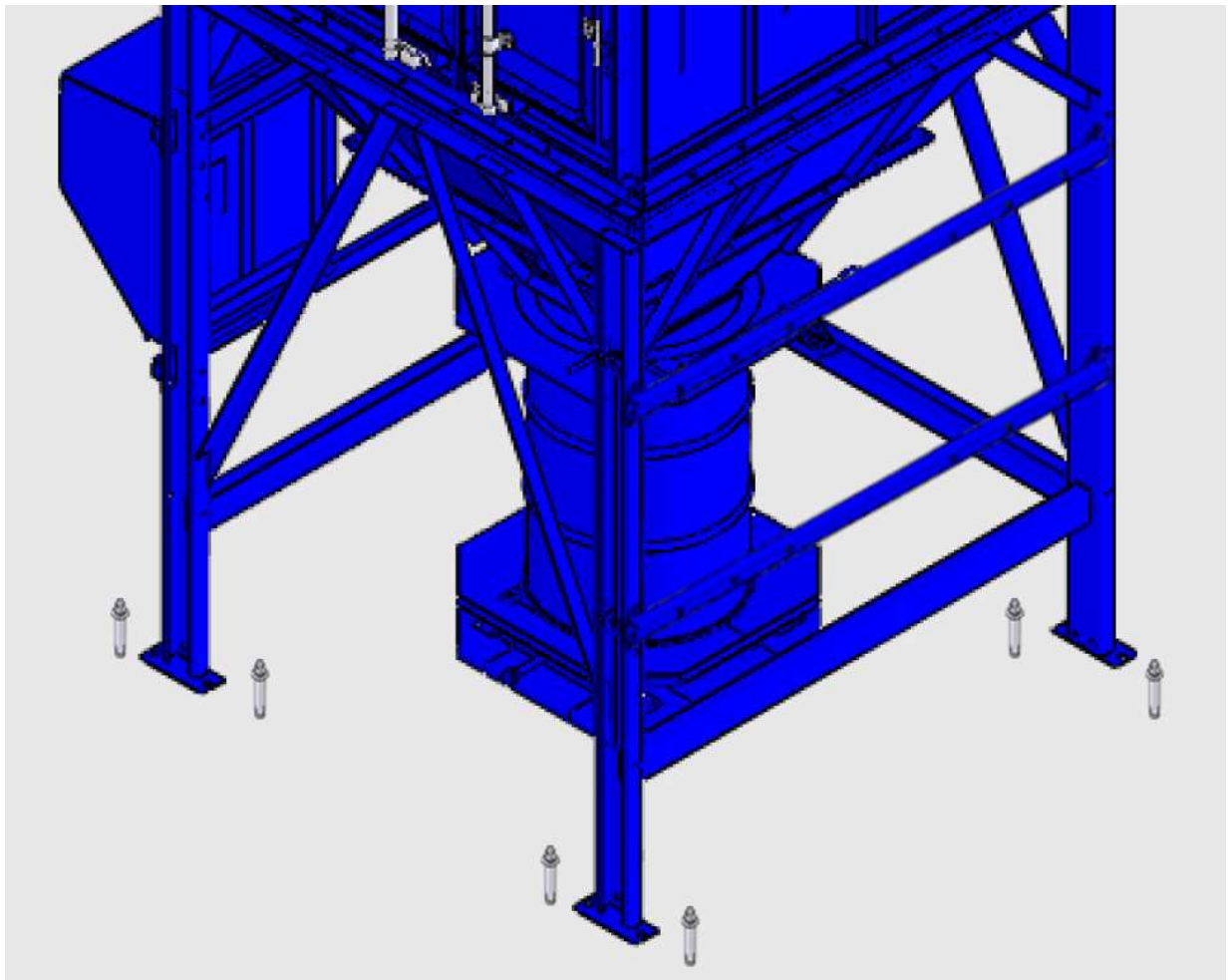
**Pulse Control Box Base**

## ✚ Installations for the unit for SDC-10-12.

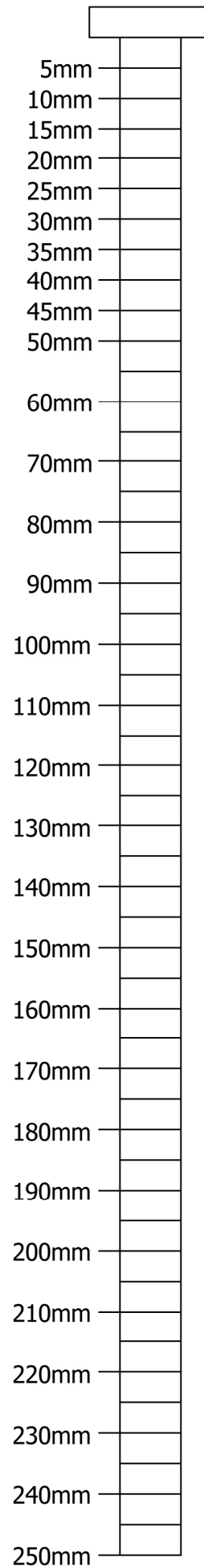
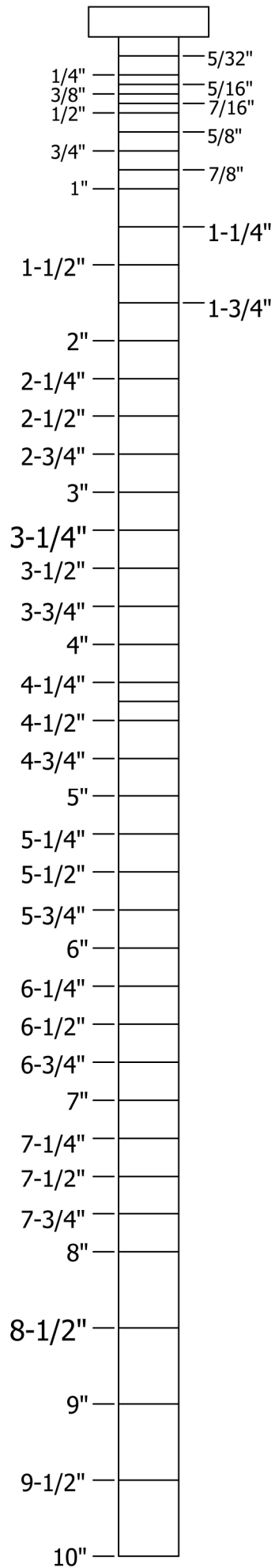
- Fasten sleeve anchors for legs to field bolted if needed.

Part name	Description	Photos	Q'ty	Grainger Model #
Sleeve Anchor	3/4" x 4"		8	2G524

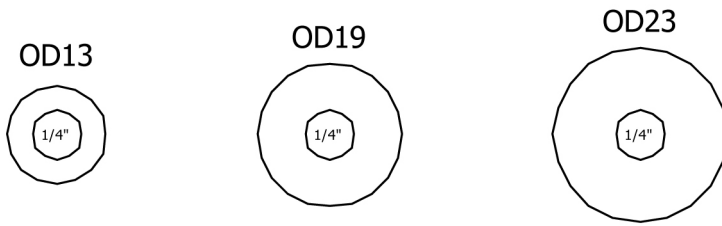
**✚ Installations for the unit for SDC-10-12.**



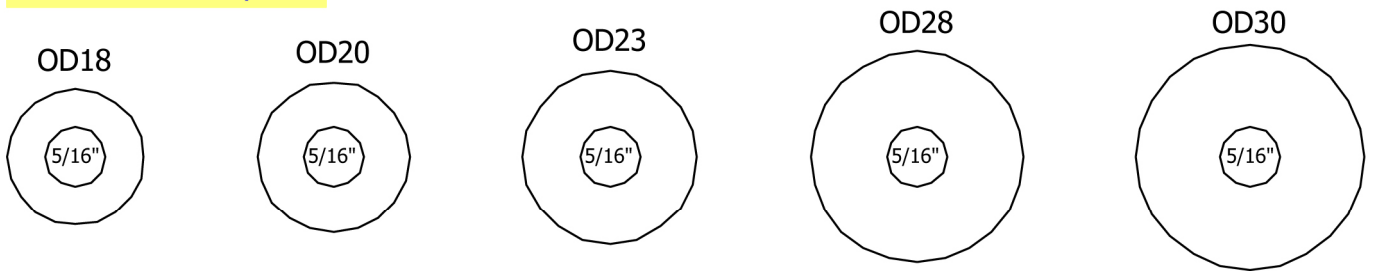




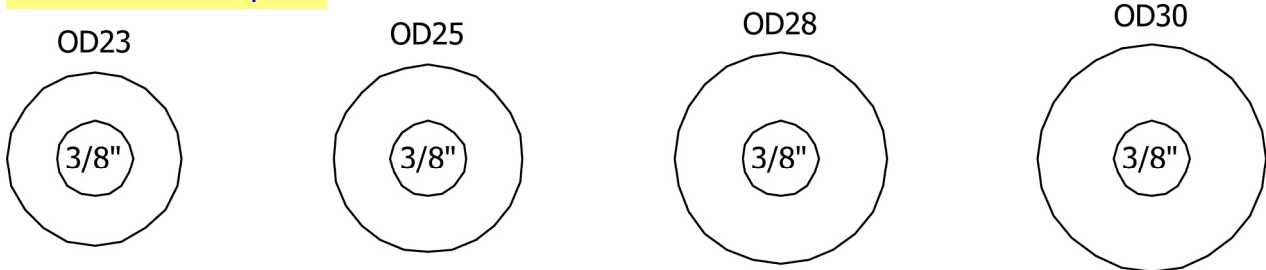
Flat Washer: 1/4"



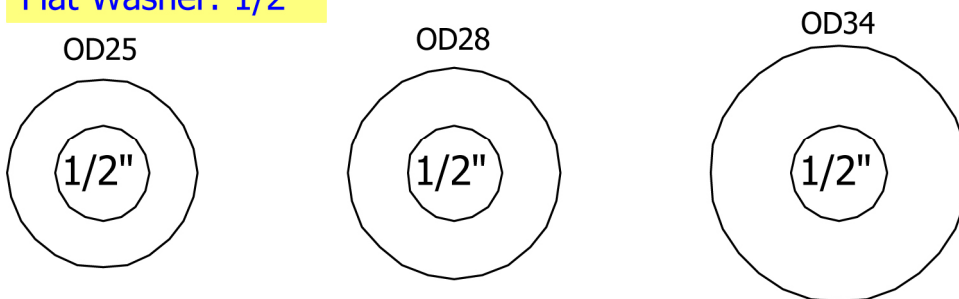
Flat Washer: 5/16"



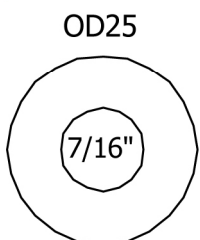
Flat Washer: 3/8"



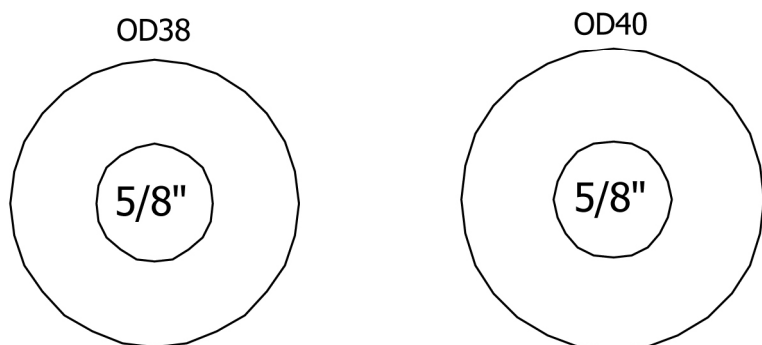
Flat Washer: 1/2"



Flat Washer: 7/16"



Flat Washer: 5/8"



## HEX NUT

3/16"



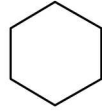
HEX NUT

1/4"



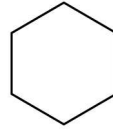
HEX NUT

5/16"



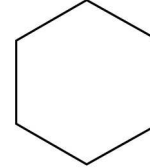
HEX NUT

3/8"



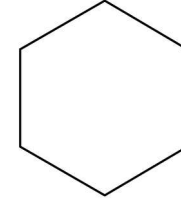
HEX NUT

1/2"



HEX NUT

5/8"



HEX NUT

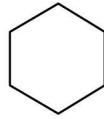
## NYLON HEX NUT

1/4"



NYLON HEX NUT

5/16"



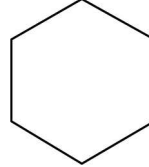
NYLON HEX NUT

3/8"



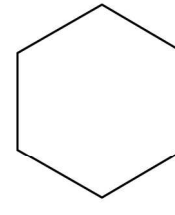
NYLON HEX NUT

1/2"



NYLON HEX NUT

5/8"



NYLON HEX NUT

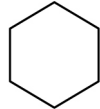
## ACORN NUT

1/4"



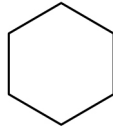
ACORN NUT

5/16"



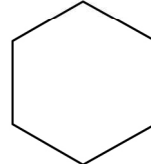
ACORN NUT

3/8"



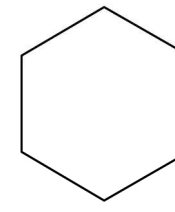
ACORN NUT

1/2"



ACORN NUT

5/8"



ACORN NUT

## WING NUT

1/4"



WING NUT

5/16"



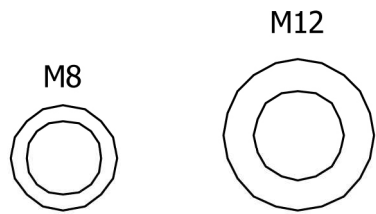
WING NUT

3/8"



WING NUT

Rubber Washer



Split Lock Washer

