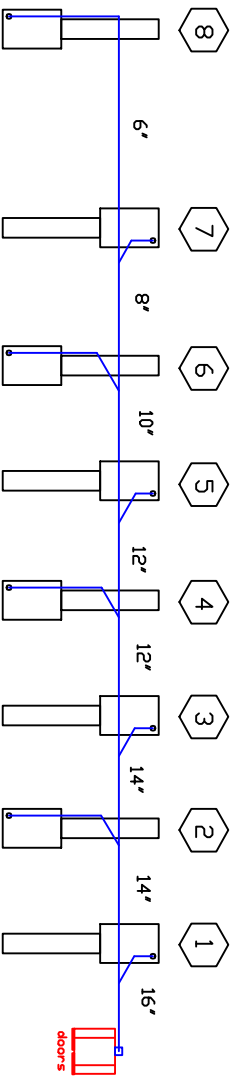
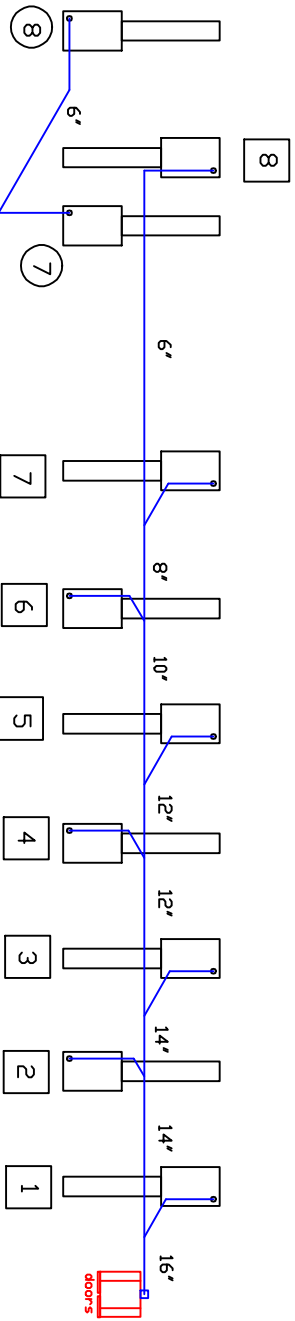


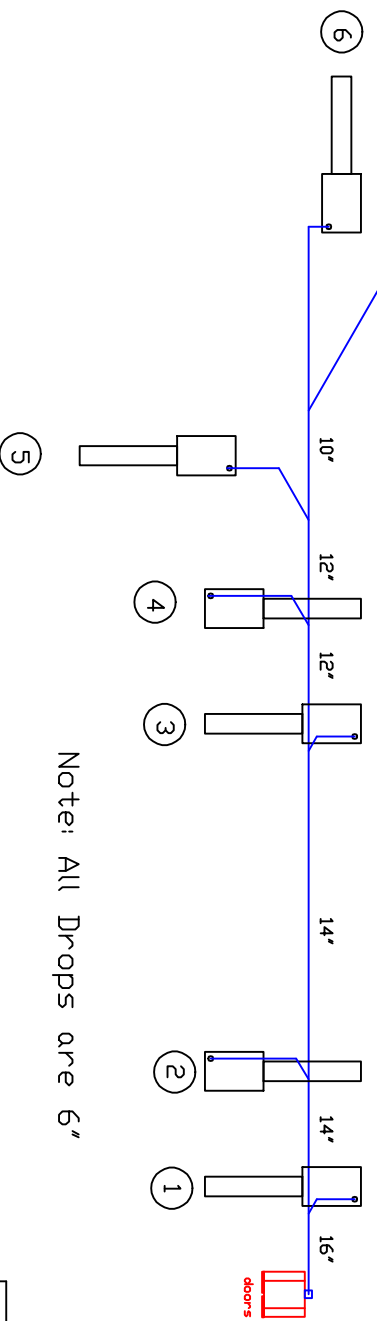
MEDTRONIC Purposed Duct Layout



LINE #1
DDF-8000TF
8 Drops per Line
600 CFM per Drop
3000 FPM



LINE #2
DDF-8000TF
8 Drops per Line
600 CFM per Drop
3000 FPM



LINE #3
DDF-8000TF
8 Drops per Line
600 CFM per Drop
3000 FPM

Note: All Drops are 6"

Avoni Environmental Intl.
95 Cypress Drive 27596
Youngsville, NC
919-570-2862 F# 919-570-2863



Project: MEDTRONIC
Drawing: Layout
Date: 2/17/12 Drawn by: WWB
Sheet No: 1 Rev.: 0