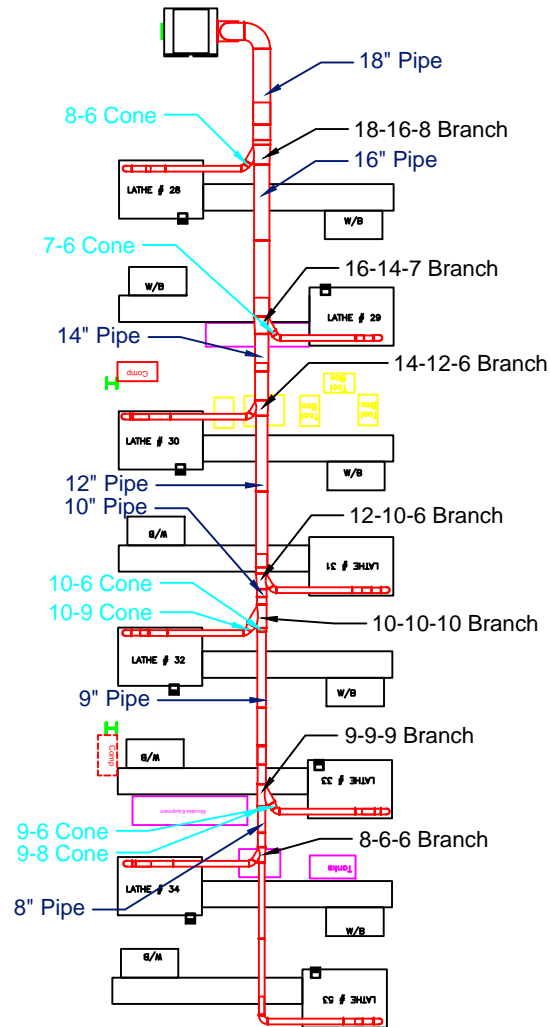


Medtronic



System B

PRELIMINARY

This product has not been tested for seismic calculations.

Avani Environmental Intl. Inc.
95 Cypress Drive
Youngsville, NC 27596
P# 919-570-2862 F# 919-570-2863

Avani

Project: Medtronic

Drawing: System B

Date: 3/26/15

Drawn by: DJT

Sheet No:

Rev A