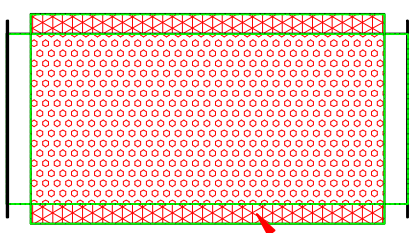
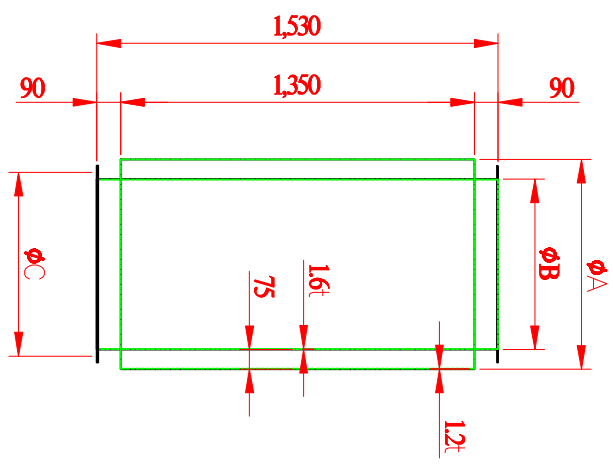
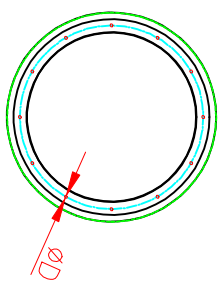


DO NOT SCALE

IF IN DOUBT ASK



Revisions		Rev	Description	Date	Approved



sound abatement: thickness 75t

Noise Reducer / Silencer Size			
HP	A	B	C
20HP	$\phi 600$	$\phi 450$	$\phi 492$
25HP	$\phi 650$	$\phi 500$	$\phi 548$
40HP	$\phi 750$	$\phi 600$	$\phi 654$
50HP	$\phi 800$	$\phi 650$	$\phi 704$

OSKAR ENVIRONMENTAL, INC.

95 Cypress Drive
Youngsville, NC 27596

Sales Department
(919) 570-2862
sales@oskarsales.com

Drawn by:	2009-08-25	Name	XXXXXX	Part Number:	SV-	Title:	Noise Reducer / Silencer	
Checked by:						Size	A	
The drawing is confidential and is the exclusive property of Oskar Environmental. No unauthorized use/copy or disclosure is to be made and it is returned whenever required.							Scale	1 = 1
							Drawing Number:	SV-