



Date: April 10, 2015

Project:

To: McCown Gordon Construction

Attn:

Recommended Equipment:

(6) WB-5078 welding booth: 7' x 8'

- (1) 6" x 24" inlet

(6) ARM 1620 hanging fume arm

(1) WB-5088G Grinding Booth with front door

- (1) 6" x 24" inlet

(1) SDT-180 standard grinding table with **6" outlet**

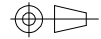
Avani Environmental Intl. Inc.
95 Cypress Drive
Youngsville, NC 27596
www.avanienvironmental.com

Phone: (919) 570-2862
Fax: (919) 570-2863
Email: info@avanienvironmental.com
www.weldingbooths.com

The drawings, AutoCAD, 3-D Models, and specifications are the property of Avani Environmental Intl. Inc. (AE) and may not be reproduced, distributed, modified, or otherwise used, except provided herein, without the express written permission of AE.

DO NOT SCALE

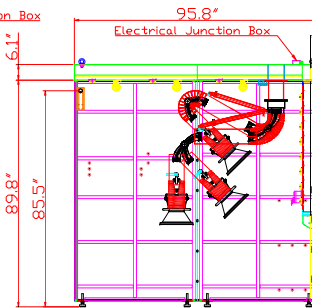
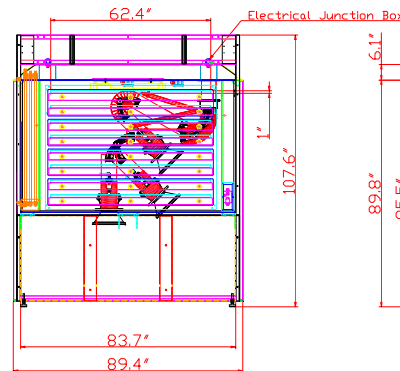
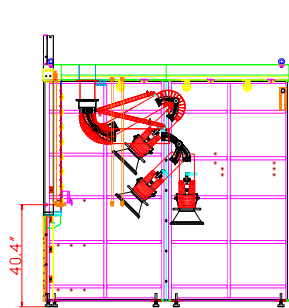
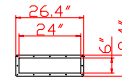
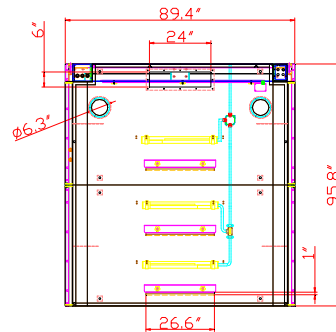
IF IN DOUBT ASK



Revisions			
Rev	Description	Date	Approved

WB-5078 WELDING BOOTH SPECIFICATIONS

- Hood Dimensions: 89.4" x 95.8" x 3.1"
- Hood Draft Adjustable Inlet Slots: (3) 1" x 26.6"
- Hood Inlet Opening: 6" x 24" (144 square inches)
- Back Draft Dimensions: 66.6" x 31.5" x 7.8" (**NOT** incl. clean out drawer)
- Back Draft Adjustable Inlet Slots: (5) 1" x 62.4"
- ***Overhead Lights: (3) Explosion Proof Lights (110V, Single Phase, 60 Hz, 20W, non-recessed)
- Adjustable Knobs: (21) 2 ? " Five Star Twists
- Adjustable Level System: (10) 2 ? " Feet (maximum adjustment 5")
- Support Structure: 1 ? " x 4" steel stock welded
- Panel Construction: 12-gauge welded steel single wall with cross and up bracing
- Rear Support: (1) 12" x 19" 30 degree gussets for overhead piping and accessories
- Welding Curtain Supports: (1) adjustable welding curtain brackets
- Lifting Lugs: (2) Hood mounted lifting lugs to set and move hood or booth
- Fume Arm Ceiling Supports & Brackets: Built into the hood
- Fume Arm Cover Plates: (2) cover plates (6 bolt pattern) to match optional dia. 6" fume arm
- Powder Coated: Avani Safety Blue Standard (custom colors available)
- Eight Piece Configuration: (4) side panels, (1) back panel, (1) backdraft assembly, (2) hooddraft assembly.
- Booths can be mounted back-to-back, side-by-side or both options.
- ***Double Wall Construction (welded)
- *** (5) 1/2" Conduit for compressed air/gas connections
- ***Light Switch: For overhead lights
- ***Electrical Outlets: (2) 110V Outlets @ (1) Switch (additional single or three phase outlets available)



PRELIMINARY

AVANI ENVIRONMENTAL INTL. INC. Sales Department
 95 Cypress Drive (919) 570-2862
 Youngsville, NC 27596 info@avanienvironmental.com

Drawn by:	Date	Name	Part Number:
Checked by:	2015-04-09	***	REVISION IV

Title: **WB-5078**
 Close up on junc. box/gas connect

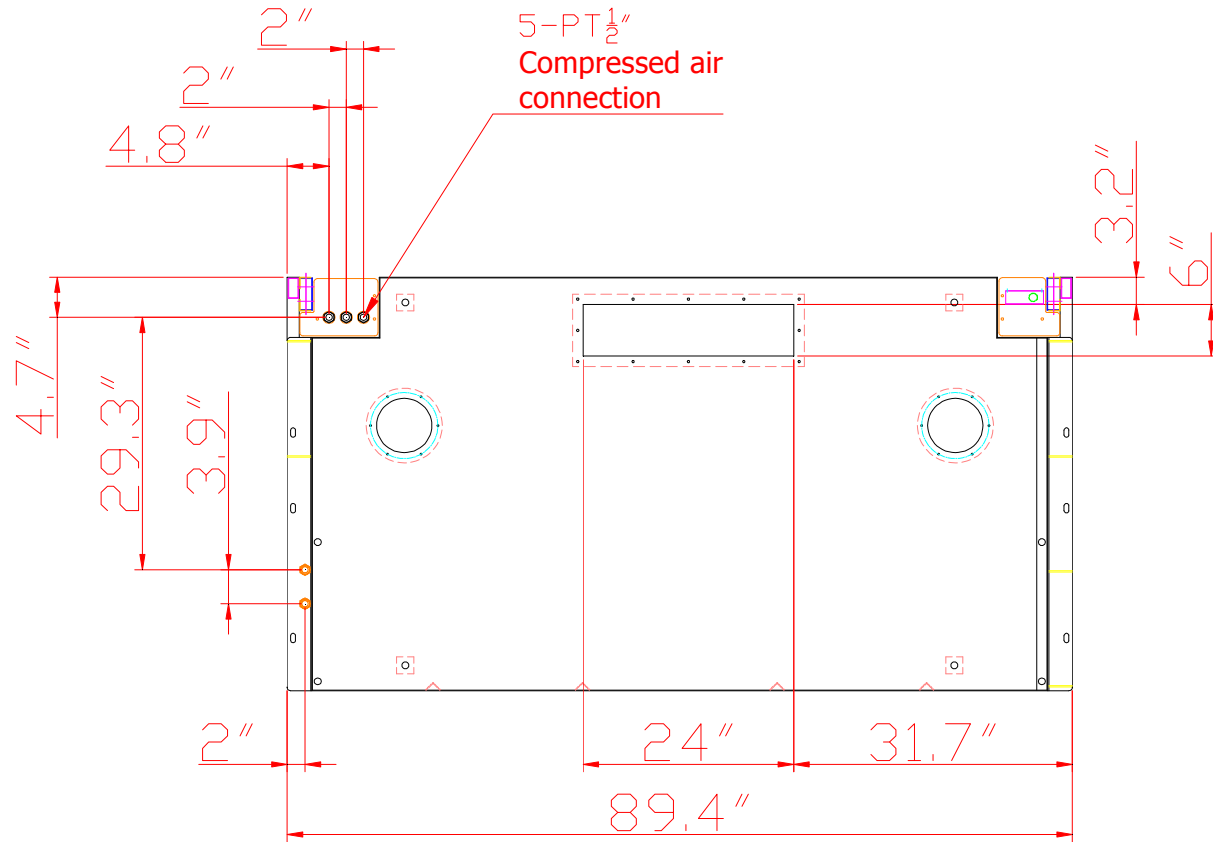
The drawings, AutoCAD, 3-D Models, and specifications are the property of Avani Environmental Intl. Inc. (AE) and may not be reproduced, distributed, modified, or otherwise used, except provided herein, without the express written permission of AE.			Size A	Scale 1 = 35	Drawing Number: McCown Gordon WB-5078 Page 1 of 4
--	--	--	------------------	-----------------	---

DO NOT SCALE

IF IN DOUBT ASK



Revisions			
Rev	Description	Date	Approved



PRELIMINARY

AVANI ENVIRONMENTAL INTL. INC. Sales Department
 95 Cypress Drive
 Youngsville, NC 27596
 (919) 570-2862
 info@avanienvironmental.com

	Date	Name	Part Number:
Drawn by:	2015-04-09	***	REVISION IV
Checked by:			

Title: **WB-5078**
 Inlet and Compressed Air Connection position.

The drawings, AutoCAD, 3-D Models, and specifications are the property of Avani Environmental Intl. Inc. (AE) and may not be reproduced, distributed, modified, or otherwise used, except provided herein, without the express written permission of AE.

Size **B**
 Scale 1 = 35

Drawing Number:
 McCown Gordon
 WB-5078 Page 2 of 4

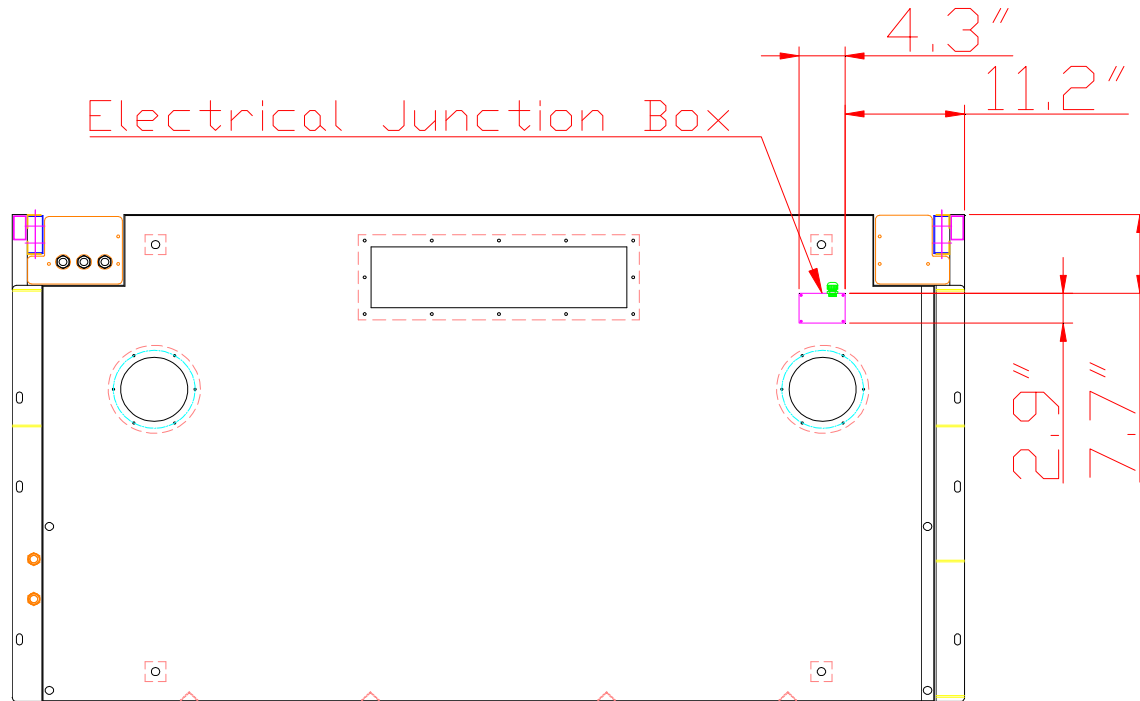
DO NOT SCALE

IF IN DOUBT ASK



Revisions			
Rev	Description	Date	Approved

Electrical Junction Box



PRELIMINARY

AVANI ENVIRONMENTAL INTL. INC. Sales Department
 95 Cypress Drive
 Youngsville, NC 27596
 (919) 570-2862
 info@avanienvironmental.com

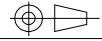
	Date	Name	Part Number:
Drawn by:	2015-04-09	***	REVISION IV
Checked by:			

Title: **WB-5078**
Electrical Junction Box position.

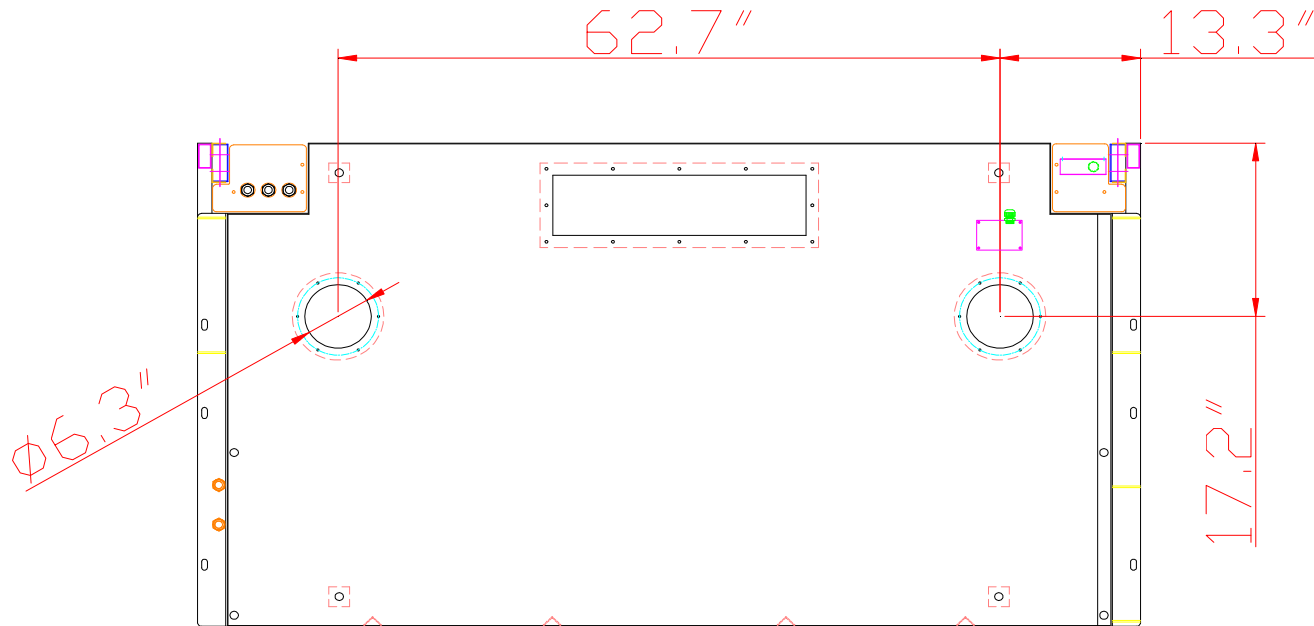
The drawings, AutoCAD, 3-D Models, and specifications are the property of Avani Environmental Intl. Inc. (AE) and may not be reproduced, distributed, modified, or otherwise used, except provided herein, without the express written permission of AE.			Size B	Scale 1 = 35	Drawing Number: McCown Gordon WB-5078 Page 3 of 4
--	--	--	------------------	-----------------	---

DO NOT SCALE

IF IN DOUBT ASK



Revisions			
Rev	Description	Date	Approved



PRELIMINARY

AVANI ENVIRONMENTAL INTL. INC. Sales Department
 95 Cypress Drive
 Youngsville, NC 27596
 (919) 570-2862
 info@avanienvironmental.com

	Date	Name	Part Number:
Drawn by:	2015-04-09	***	REVISION IV
Checked by:			

Title: **WB-5078**
Fume Arm hole position

The drawings, AutoCAD, 3-D Models, and specifications are the property of Avani Environmental Intl. Inc. (AE) and may not be reproduced, distributed, modified, or otherwise used, except provided herein, without the express written permission of AE.

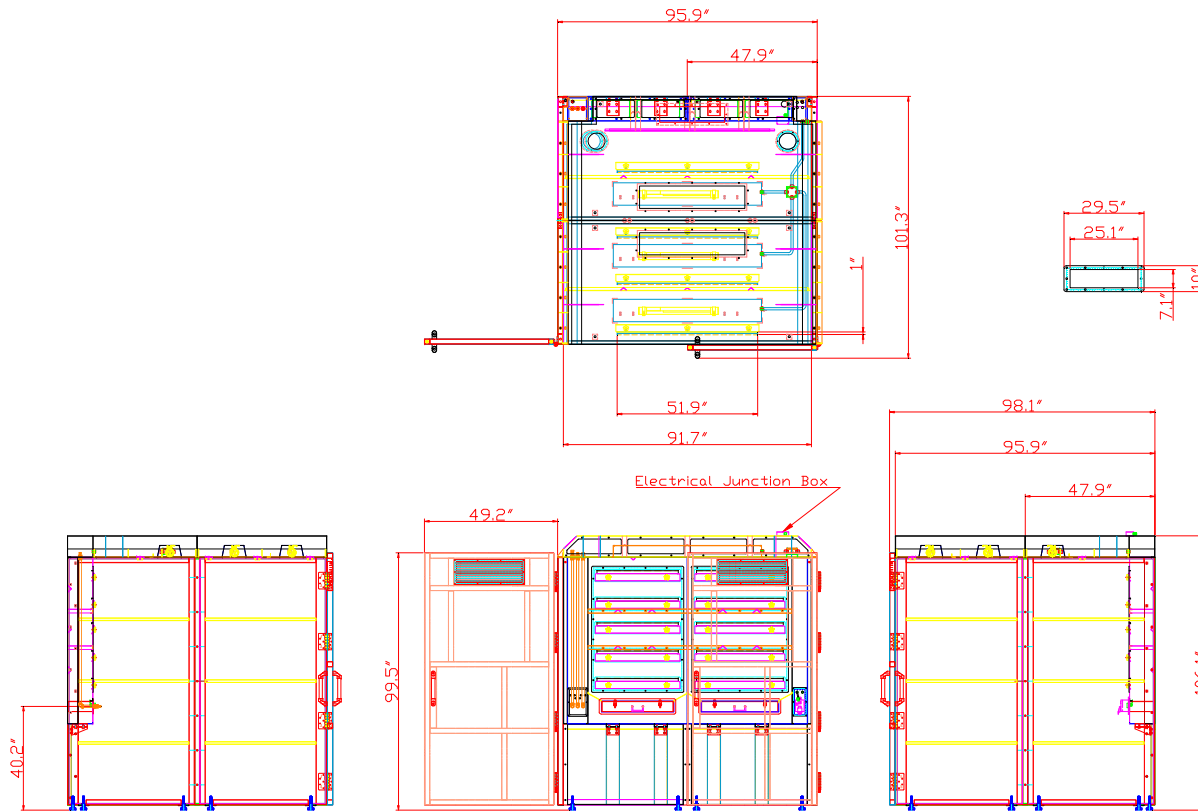
Size B	Scale 1 = 35	Drawing Number: McCown Gordon WB-5078 Page 4 of 4
------------------	-----------------	---

DO NOT SCALE

IF IN DOUBT ASK



Revisions			
Rev	Description	Date	Approved



WB-5088G GRINDING BOOTH SPECIFICATIONS

- Hood Dimensions: 91.7" x 101.3" x 8.3"
- Hood Inlet Opening: 7.1" x 25.1" (178.21 square inches)
- Hood draft module: (4) Adjustable slots 1" x 51.9"
- Backdraft module: (10) Adjustable slots 1" x 30.1"
- Side Panel Dimensions: (2) 101.3" x 98"
- Front Door Dimensions: (2) 49.2" x 99.5"
- Front Door window dimensions: (2) 24.5" x 25.8"
- Adjustable Knobs: (32) 2 ? " Five Star Twists
- Working Lights: (3) Explosion Proof Lights (110V, Single Phase, 60 Hz, 20W)
- Support Structure: 1 ? " x 4" steel stock welded
- Panel Construction: 12-gauge welded steel single wall with cross and up bracing
- Powder Coated: Avani Safety Blue Standard (custom colors available)
- Seven Piece Configuration: (4) side panels, (2) back panel, (1) Top hood
- Booths can be mounted back-to-back, side-to-side or both options
- Electrical Outlets: (2) 110V Outlets @ (1) Switch (additional single or three phase outlets available)
- Light Switch: For overhead lights
- Compressed Air Connection
- CO2 or Gas Connection: (additional gas lines or compressed lines available)

PRELIMINARY

AVANI ENVIRONMENTAL INTL. INC. Sales Department
 95 Cypress Drive
 Youngsville, NC 27596
 (919) 570-2862
 info@avanienvironmental.com

	Date	Name	Part Number:
Drawn by:	2015-04-09	***	REVISION IX
Checked by:			

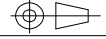
Title: **WB-5088G**
 Close up on outlet/gas connect.

The drawings, AutoCAD, 3-D Models, and specifications are the property of Avani Environmental Intl. Inc. (AE) and may not be reproduced, distributed, modified, or otherwise used, except provided herein, without the express written permission of AE.

Size	Scale	Drawing Number:
B	1 = 35	McCown Gordon WB-5088G Page 1 of 4

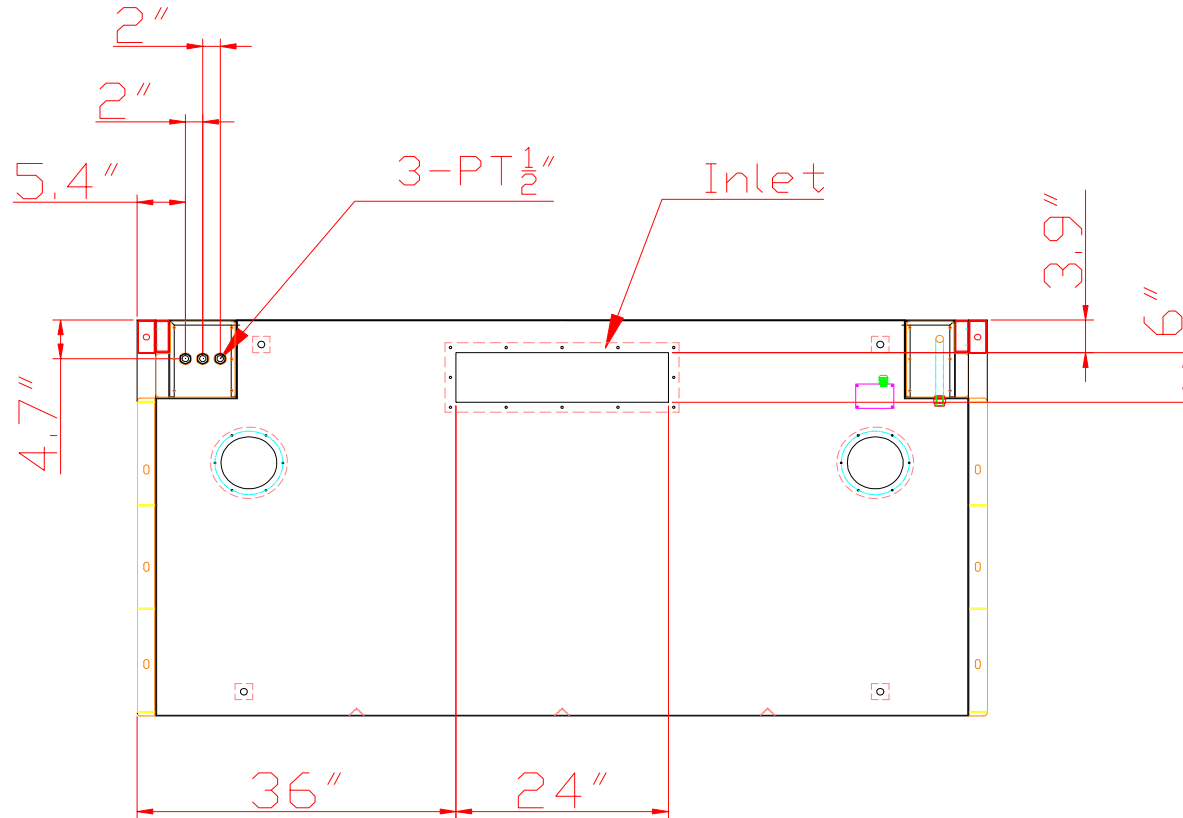
DO NOT SCALE

IF IN DOUBT ASK



Revisions

Rev	Description	Date	Approved
-----	-------------	------	----------



PRELIMINARY

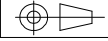
AVANI ENVIRONMENTAL INTL. INC. Sales Department
 95 Cypress Drive
 Youngsville, NC 27596
 (919) 570-2862
 info@avanienvironmental.com

	Date	Name	Part Number:
Drawn by:	2015-04-09	***	REVISION IX
Checked by:			
The drawings, AutoCAD, 3-D Models, and specifications are the property of Avani Environmental Intl. Inc. (AE) and may not be reproduced, distributed, modified, or otherwise used, except provided herein, without the express written permission of AE.			

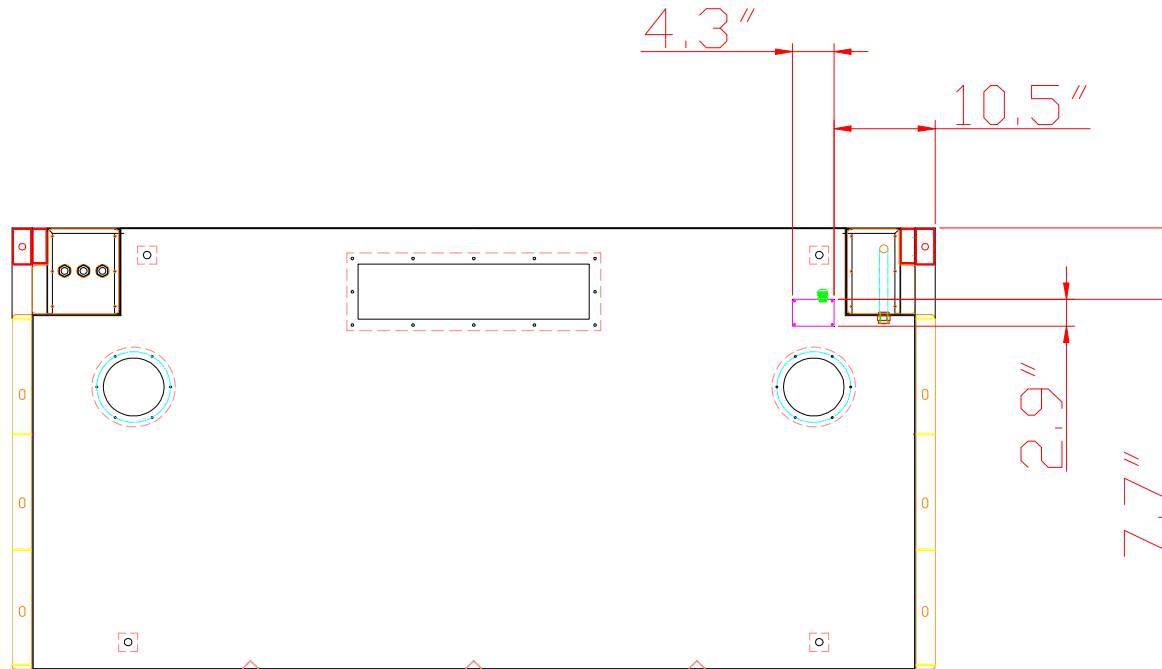
Title:	WB-5088G	
Inlet and Compressed Air Connection position.		
Size	Scale	Drawing Number:
B	1 = 35	McCown Gordon WB-5088G Page 2 of 4

DO NOT SCALE

IF IN DOUBT ASK



Revisions			
Rev	Description	Date	Approved



PRELIMINARY

AVANI ENVIRONMENTAL INTL. INC. Sales Department
 95 Cypress Drive
 Youngsville, NC 27596
 (919) 570-2862
 info@avanienvironmental.com

	Date	Name	Part Number:
Drawn by:	2015-04-09	***	REVISION IX
Checked by:			

Title: **WB-5088G**
Electrical Junction Box position.

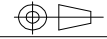
The drawings, AutoCAD, 3-D Models, and specifications are the property of Avani Environmental Intl. Inc. (AE) and may not be reproduced, distributed, modified, or otherwise used, except provided herein, without the express written permission of AE.

Size **B**
 Scale 1 = 35

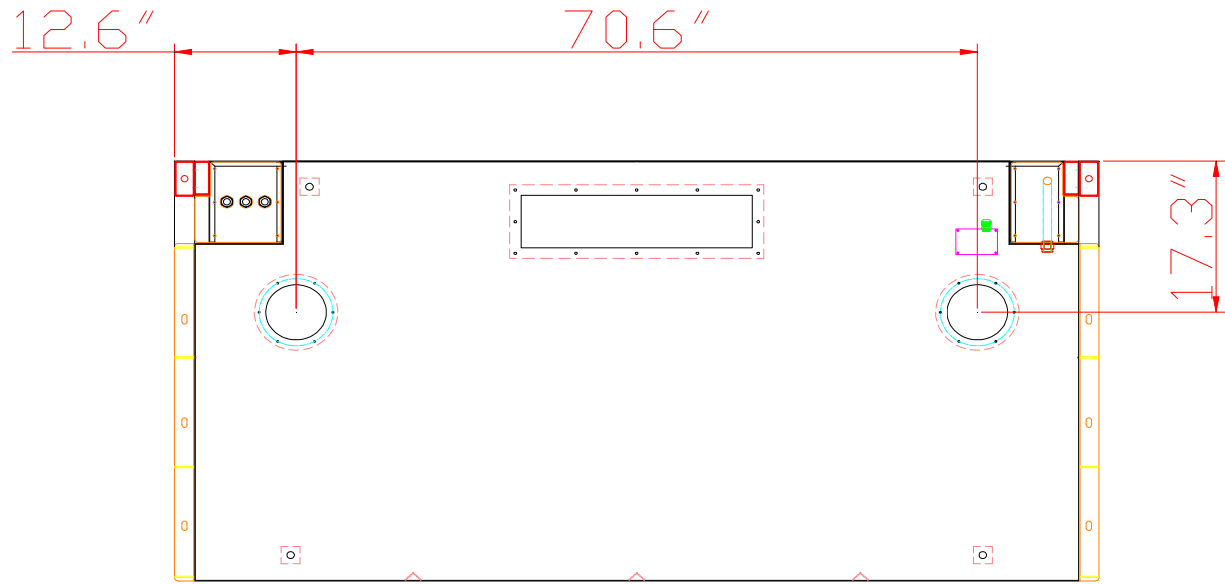
Drawing Number:
 McCown Gordon
 WB-5088G Page 3 of 4

DO NOT SCALE

IF IN DOUBT ASK



Revisions			
Rev	Description	Date	Approved



PRELIMINARY

AVANI ENVIRONMENTAL INTL. INC. Sales Department
 95 Cypress Drive
 Youngsville, NC 27596
 (919) 570-2862
 info@avanienvironmental.com

Drawn by:	Date	Name	Part Number:
Checked by:	2015-04-09	***	
The drawings, AutoCAD, 3-D Models, and specifications are the property of Avani Environmental Intl. Inc. (AE) and may not be reproduced, distributed, modified, or otherwise used, except provided herein, without the express written permission of AE.			REVISION IX

Title:	WB-5088G Fume arm hole position.	
--------	-------------------------------------	--

Size	Scale	Drawing Number:
B	1 = 35	McCown Gordon WB-5088G Page 4 of 4

DO NOT SCALE

IF IN DOUBT ASK

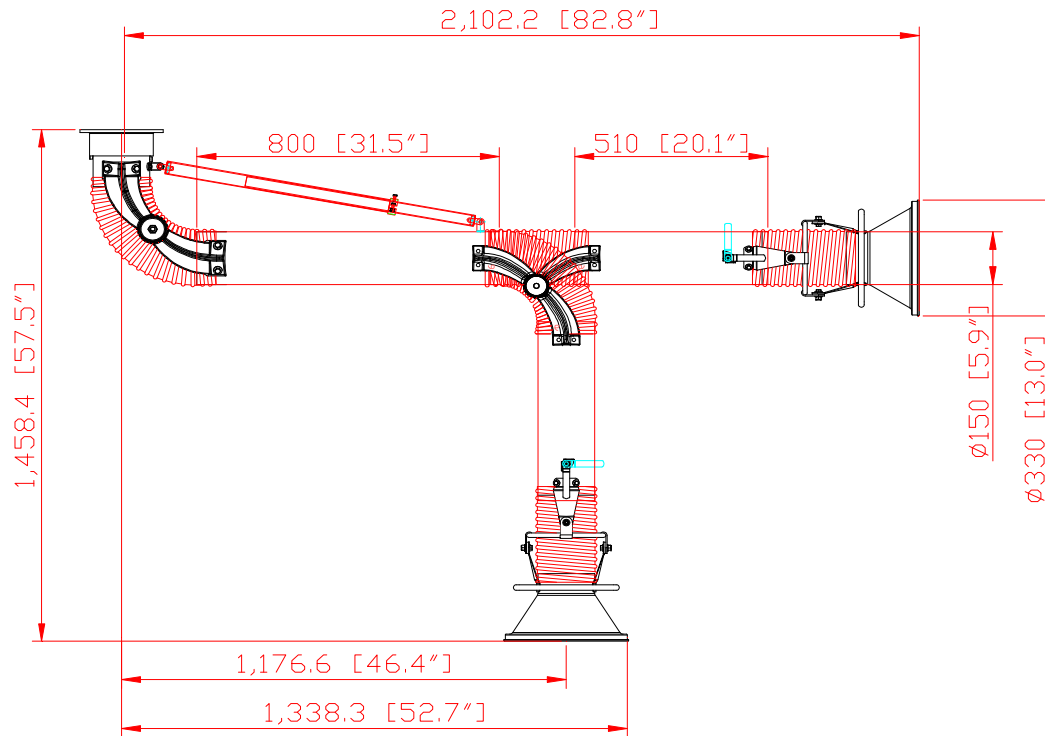


Revisions

Rev	Description	Date	Approved
-----	-------------	------	----------

Hanging Arm 6"*7'

- Diameter:** 6"
- Length:** 7'
- Weight:** 37.7 lbs (net)
- Arm Construction:** Two galvanized steel tubes, powder coated, (2) die casted aluminum external joints, heavy gauge steel swivel base, steel final external joint with aluminum hood, 360 degree grab handle, and support spring in protective aluminum cover.
- Arm Adjustment:** 100% externally supported (no internal joints).
- Hood:** 13" diameter spun aluminum and powder coated.
- Damper:** Internal damper with external adjustment.
- Finish:** Powder coated.
- External Hose:** Smooth bore, helical hose rated at 200 degrees.
- Finish:** Powder coated.
- Accessories:** Mounting bracket and One tough halogen light.
- Mounting Bracket:**
- Warranty:** Limited two years from date of purchase.



PRELIMINARY

Packing Size:	161 x 38.5 x 69.5 cm 63.4 x 15.2 x 27.4 inch
N.W. / G.W.:	17.1 / 20.6 kgs 37.7 / 45.4 lbs

AVANI ENVIRONMENTAL INTL. INC. Sales Department
 95 Cypress Drive
 Youngsville, NC 27596

(919) 570-2862
 info@avanienvironmental.com

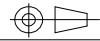
	Date	Name	Part Number:	Title:
Drawn by:	2015-04-08	***	REVISION A	Arm 1620
Checked by:				

The drawings, AutoCAD, 3-D Models, and specifications are the property of Avani Environmental Intl. Inc. (AE) and may not be reproduced, distributed, modified, or otherwise used, except provided herein, without the express written permission of AE.

Size	Scale	Drawing Number:
A	1 = xx	McCown Gordon ARM 1620 Page 1 of 1

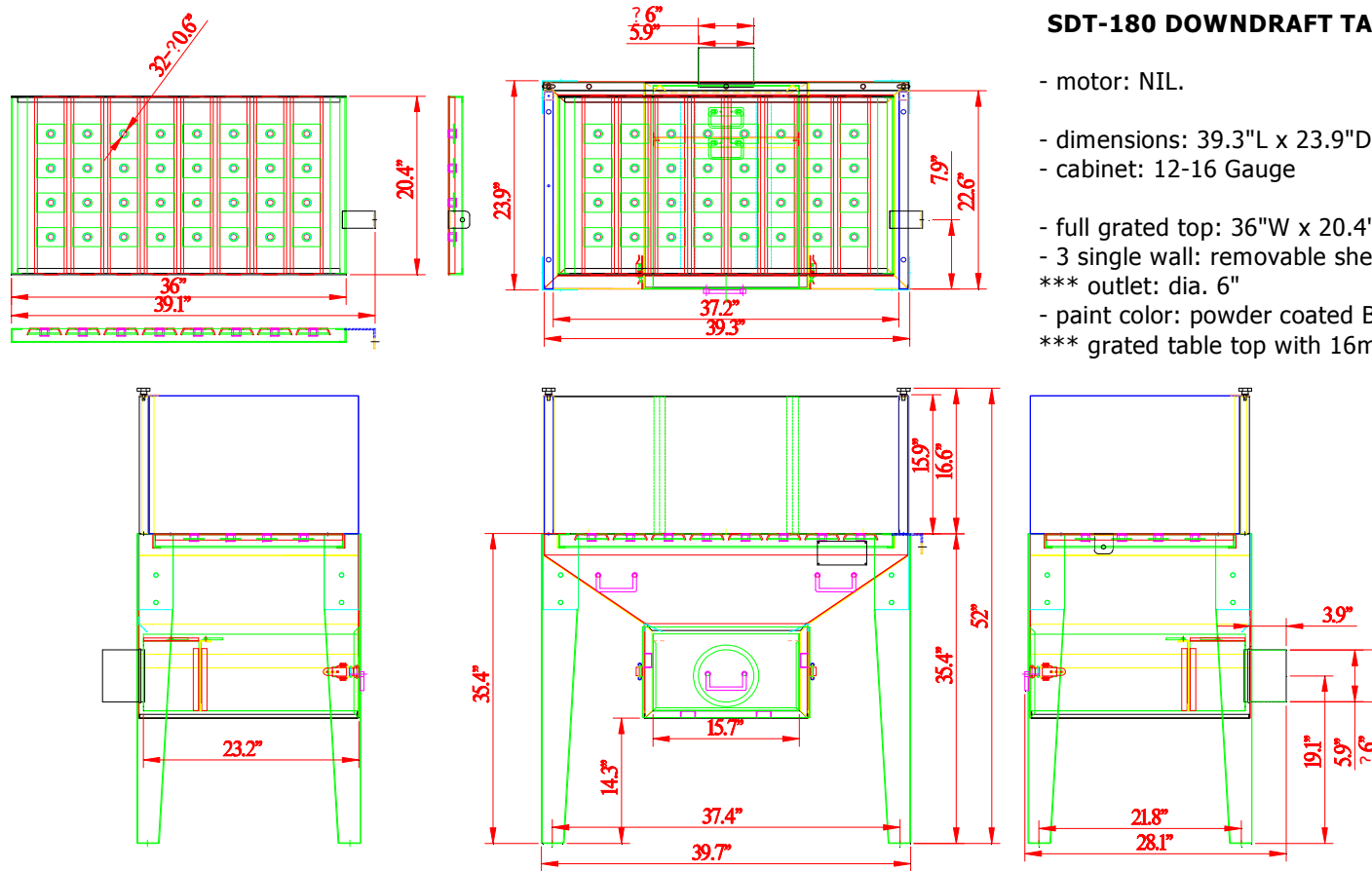
DO NOT SCALE

IF IN DOUBT ASK



Revisions

Rev	Description	Date	Approved
-----	-------------	------	----------



SDT-180 DOWNDRAFT TABLE SPECIFICATION

- motor: NIL.
- dimensions: 39.3"L x 23.9"D x 52"H
- cabinet: 12-16 Gauge
- full grated top: 36"W x 20.4"D
- 3 single wall: removable sheet metal sides/back
- *** outlet: dia. 6"
- paint color: powder coated Blue
- *** grated table top with 16mm fixture holes

PRELIMINARY

AVANI ENVIRONMENTAL INTL. INC. Sales Department
 95 Cypress Drive (919) 570-2862
 Youngsville, NC 27596 info@avanienvironmental.com

Date	Name	Part Number:
2015-03-30	***	REVISION II
Drawn by:	Checked by:	
The drawings, AutoCAD, 3-D Models, and specifications are the property of Avani Environmental Intl. Inc. (AE) and may not be reproduced, distributed, modified, or otherwise used, except provided herein, without the express written permission of AE.		

Title:		Drawing Number:
SDT-180 Downdraft Table		
Size	Scale	McCown Gordon SDT-180 Page 1 of 1
C	1 = 20	