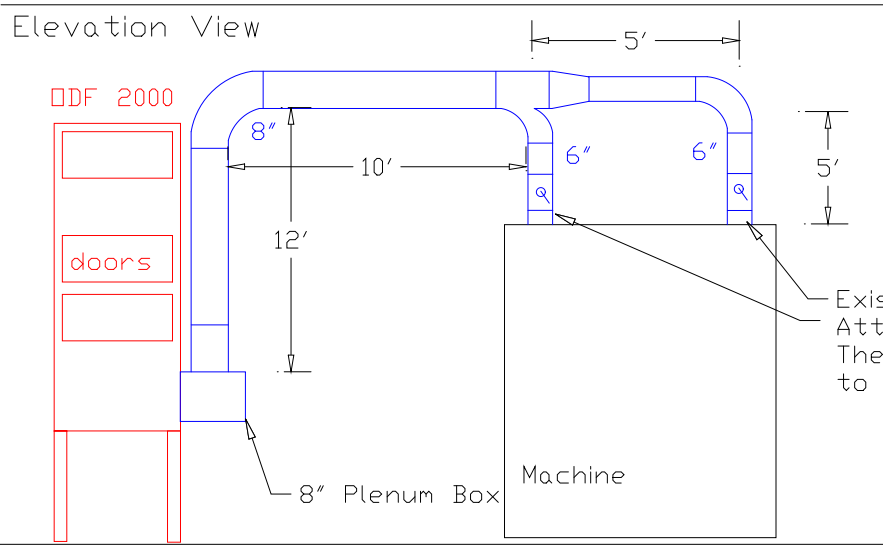
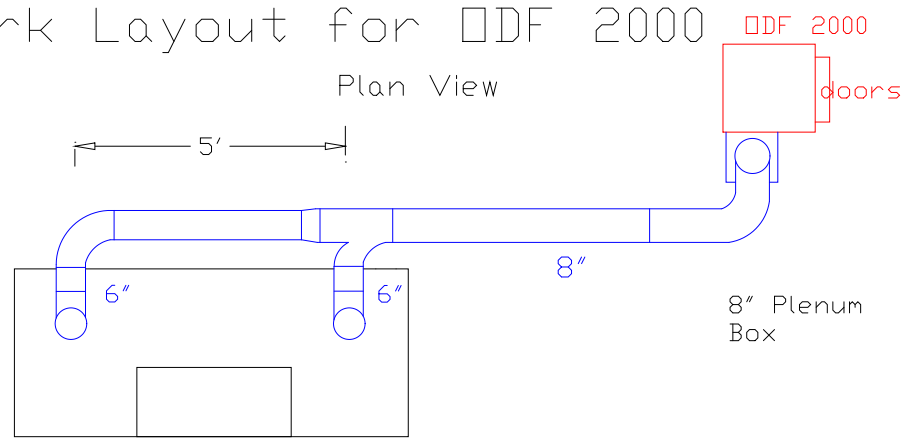


Ductwork Layout for ODF 2000

Notes:
 A) Motor: 3.5HP at 460 volts full load amps are 5.5
 B) Drain line: 3/4" PVC P-Trap with ball valve



6" hole on top.
 Attach 6" Angle Flange Adaptor.

Existing 6" hole on top.
 Attach 6" Angle flange adaptor.
 Then install 6" Butterfly damper to allow for airflow adjustment.

Industrial Air Quality	
30 Mosswood Blvd Suite 100	
Youngsville, NC 27596	
P# 919-562-7181	F# 919-562-7182
Project: Spirit Aerospace	
Drawing: ODF 2000 layout	
Date: 11/7/08	Drawn by: RAV
Sheet No:	