

WB-5x5P (2 sets)

w/

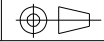
SDC-B-7-4 7.5HP dust collector
(per two booths)

<for Maryland>

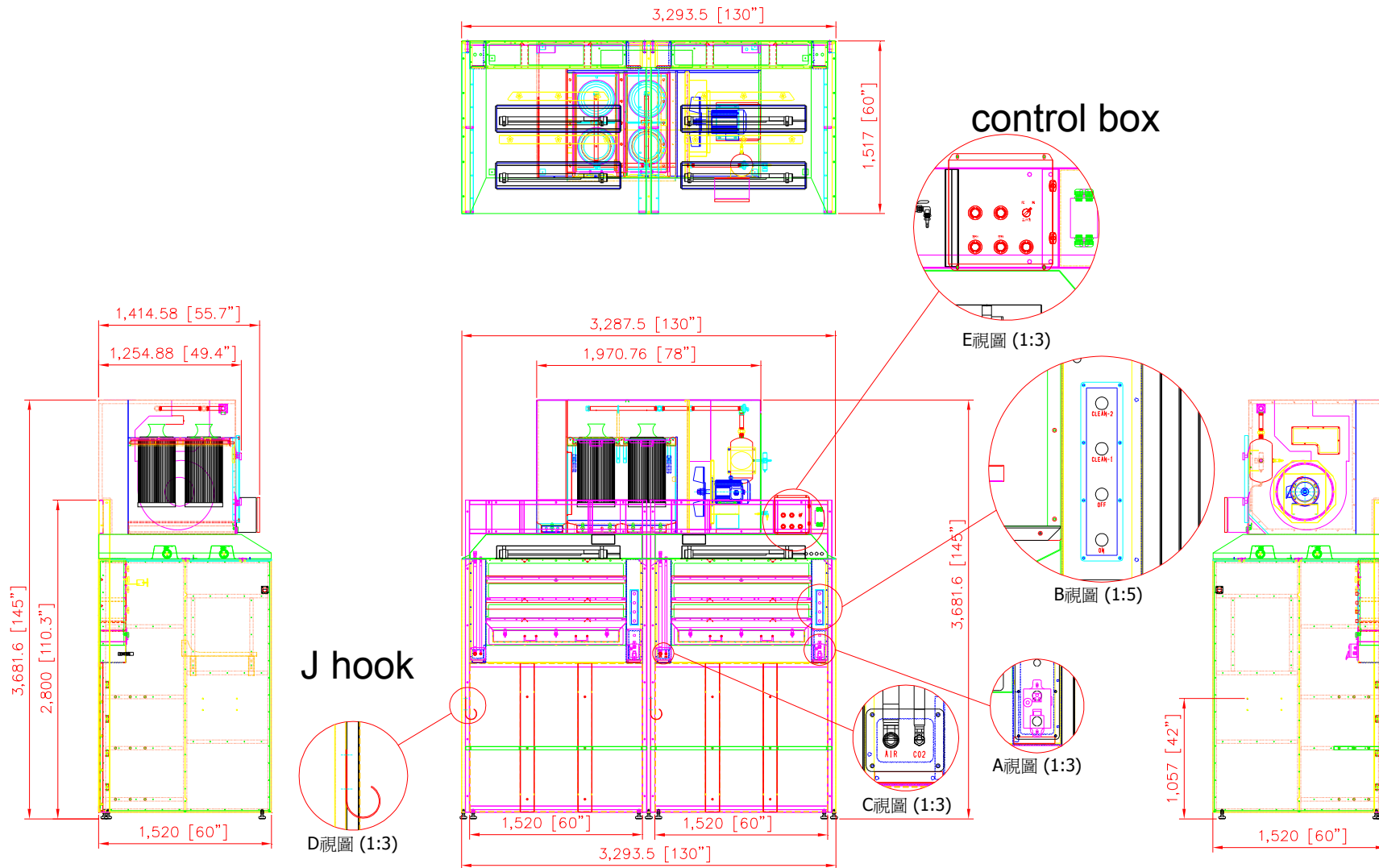
December 17, 2009

DO NOT SCALE

IF IN DOUBT ASK



Revisions			
Rev	Description	Date	Approved



OSKAR AIR PRODUCTS, INC.
 95 Cypress Drive
 Youngsville, NC 27596

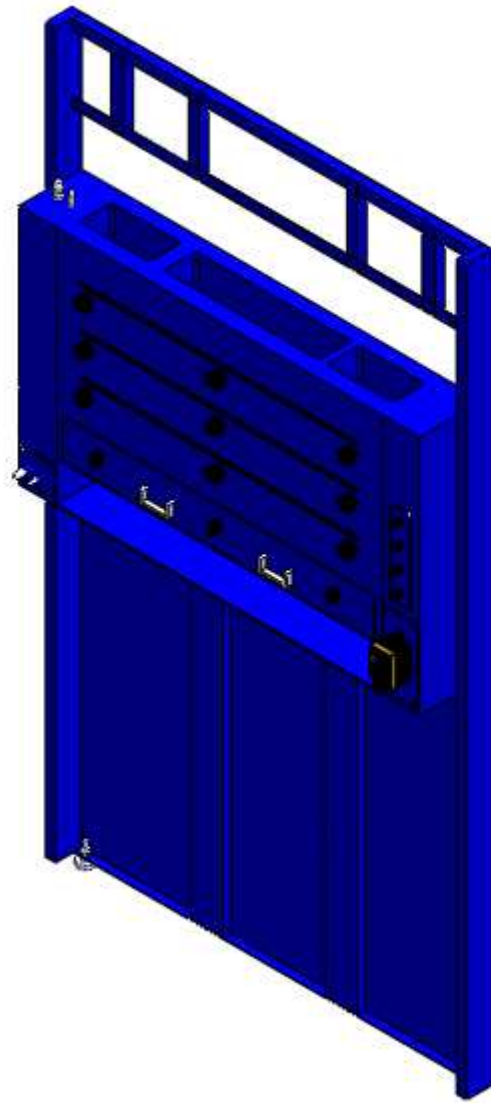
Sales Department
 (919) 570-2862
 sales@oskarsales.com

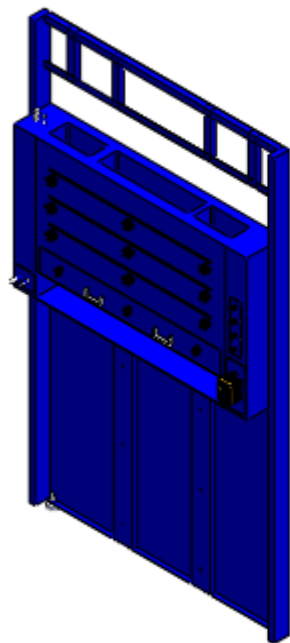
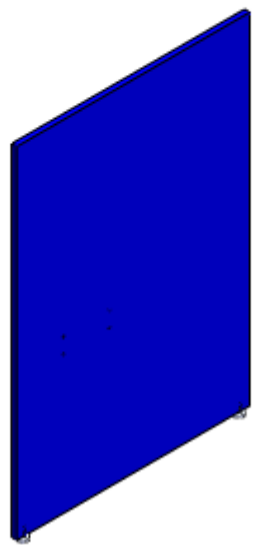
Drawn by:	Date	Name	Part Number:
Checked by:	2009-12-17	XXXXX	**

Title:
 WB-5x5P(2 sets) with SDC-B-7-4

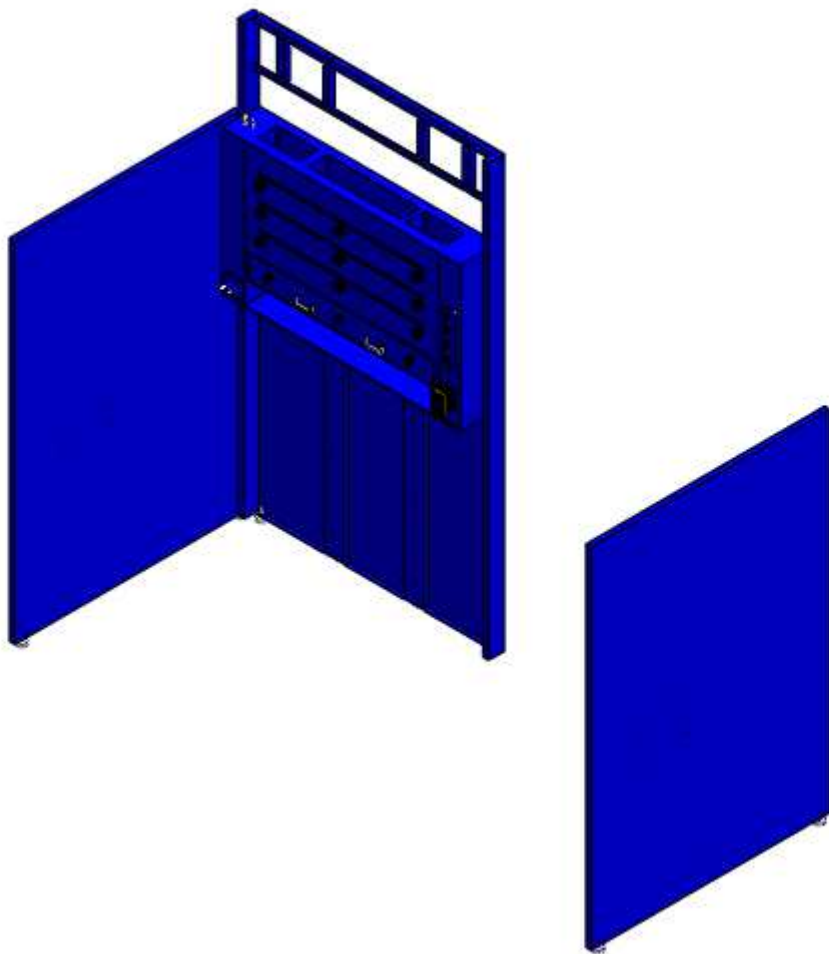
This drawing is confidential and is the exclusive property of Oskar Air Products. No unauthorized use/copy or disclosure is to be made and it is returned whenever required.

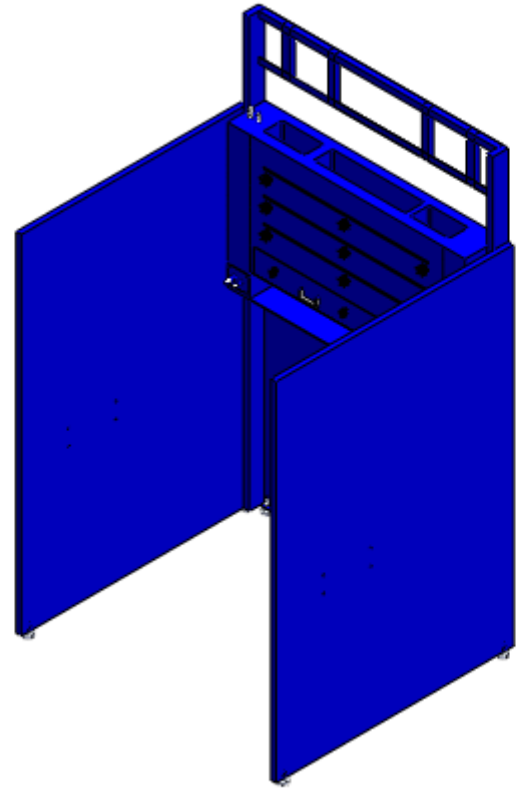
Size	Scale	Drawing Number:
A	1 = 35	WB-5-5P(two)

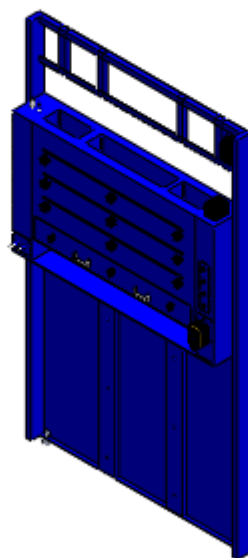
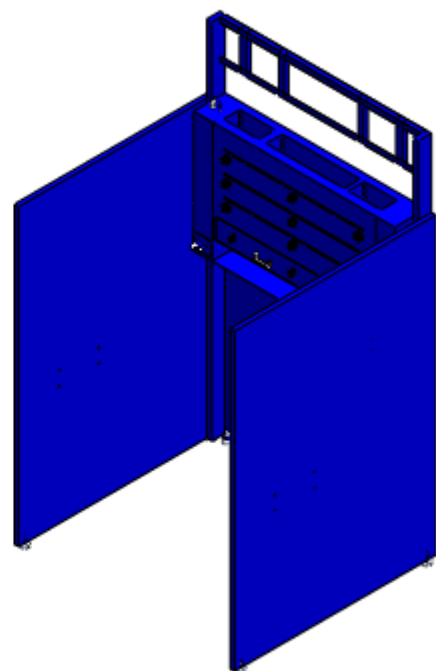


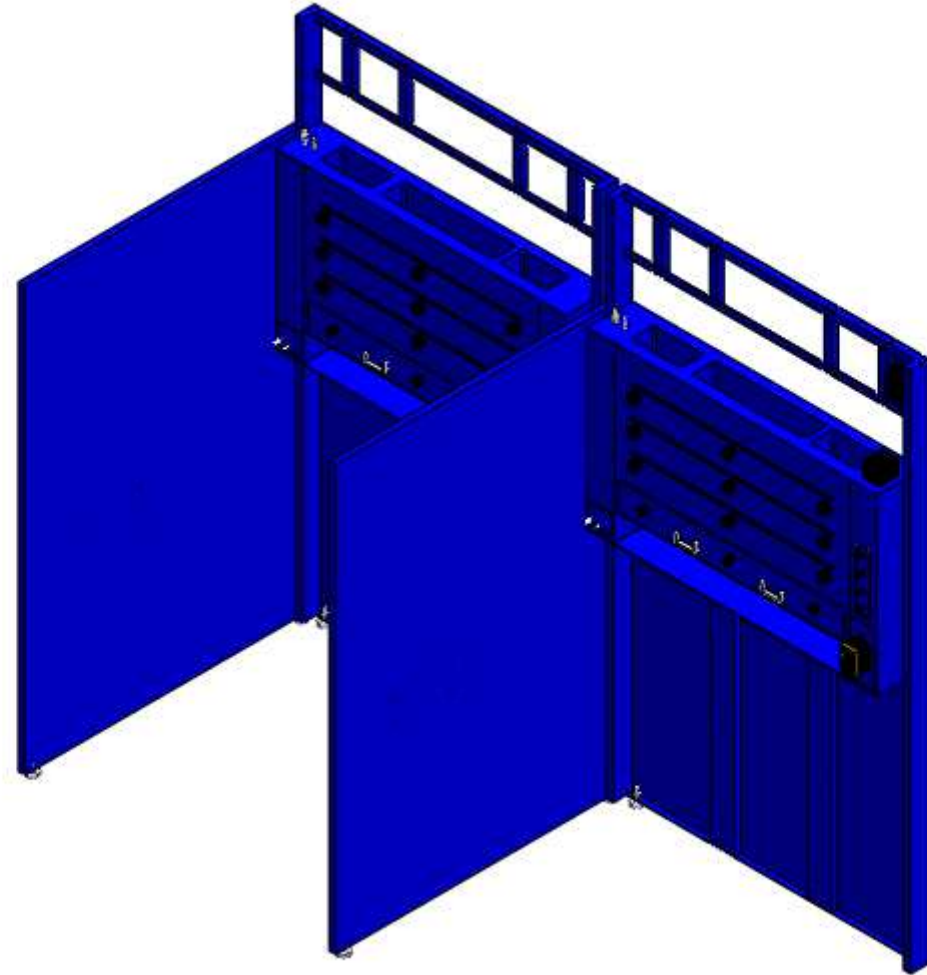


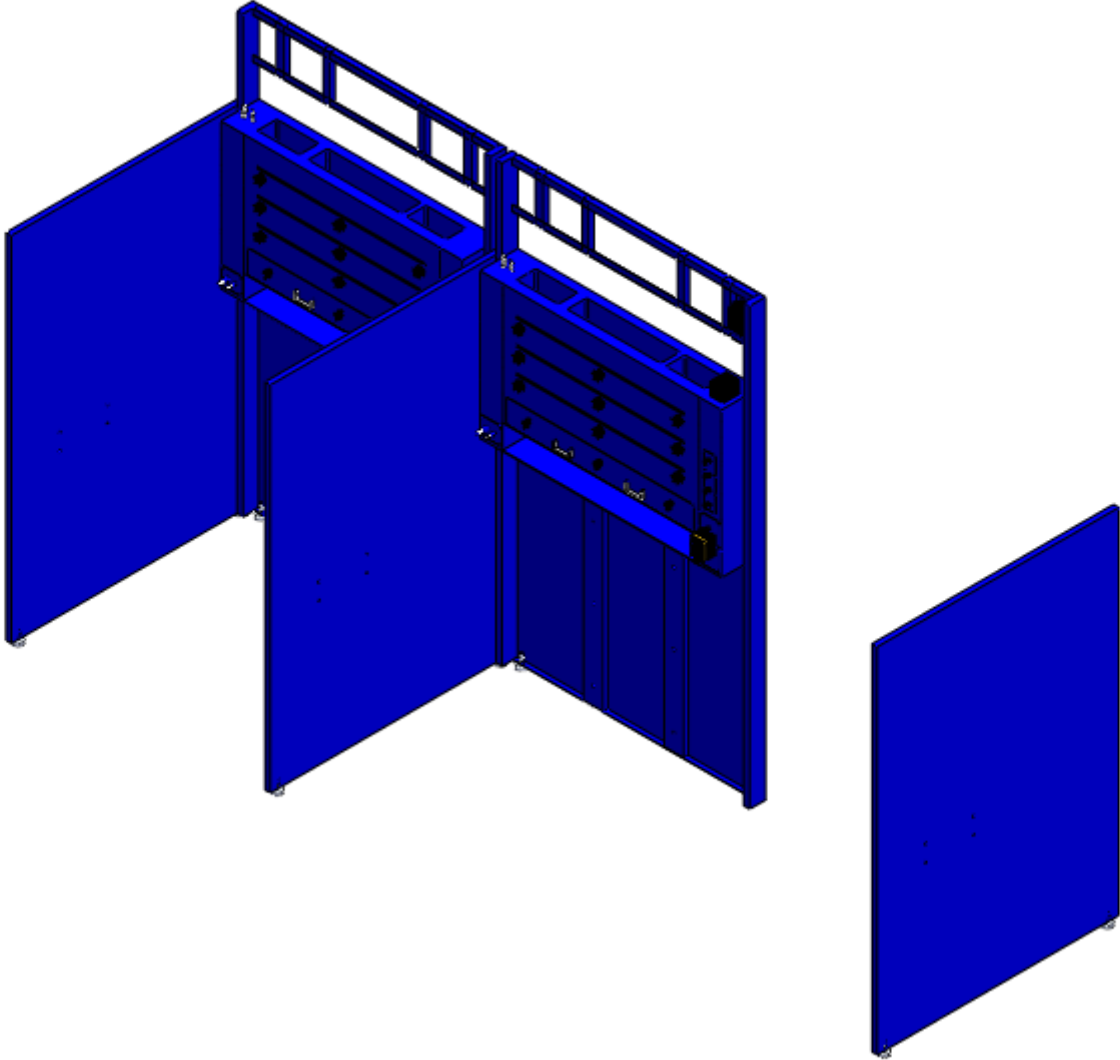


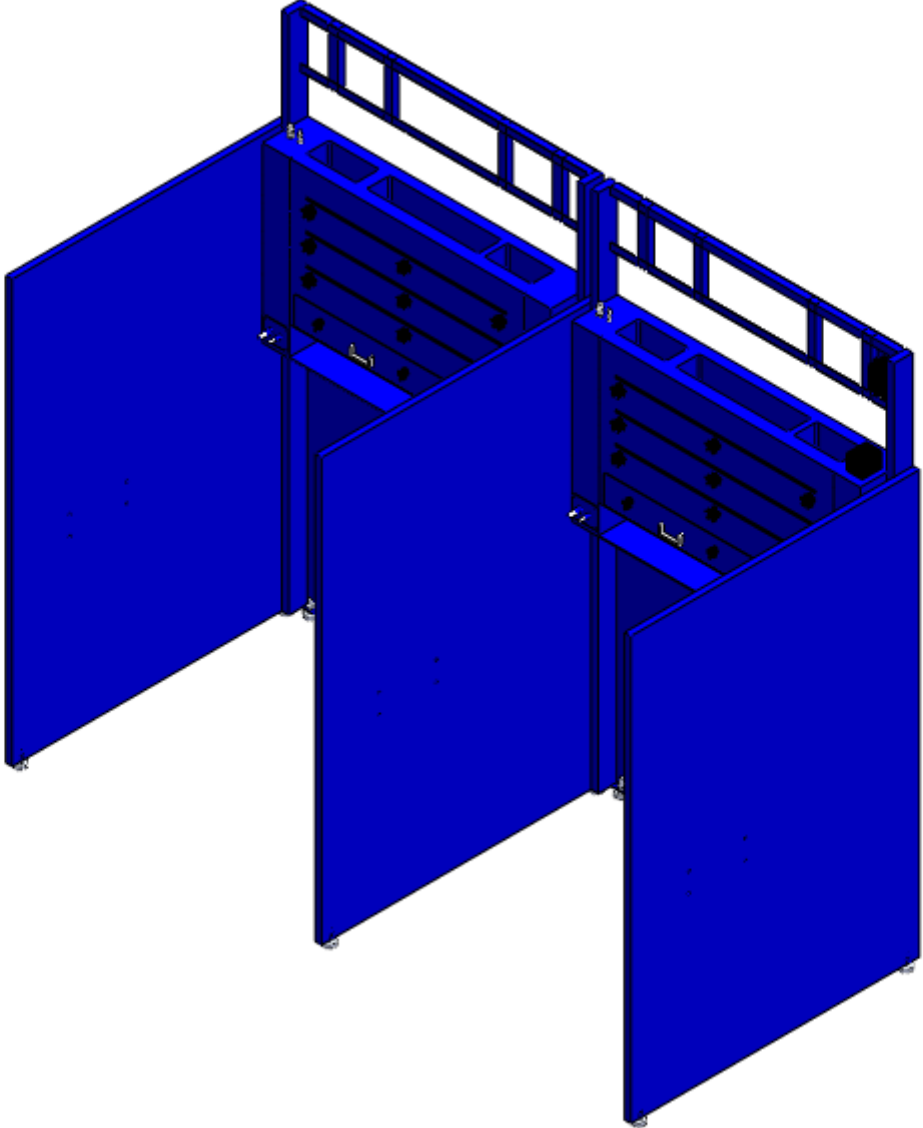


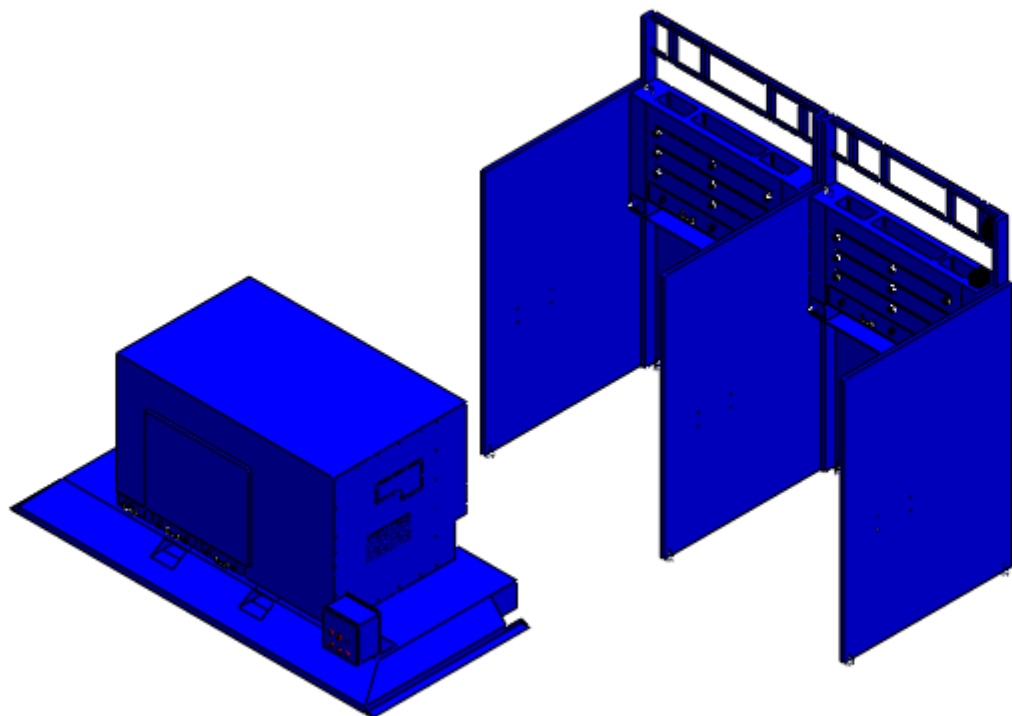


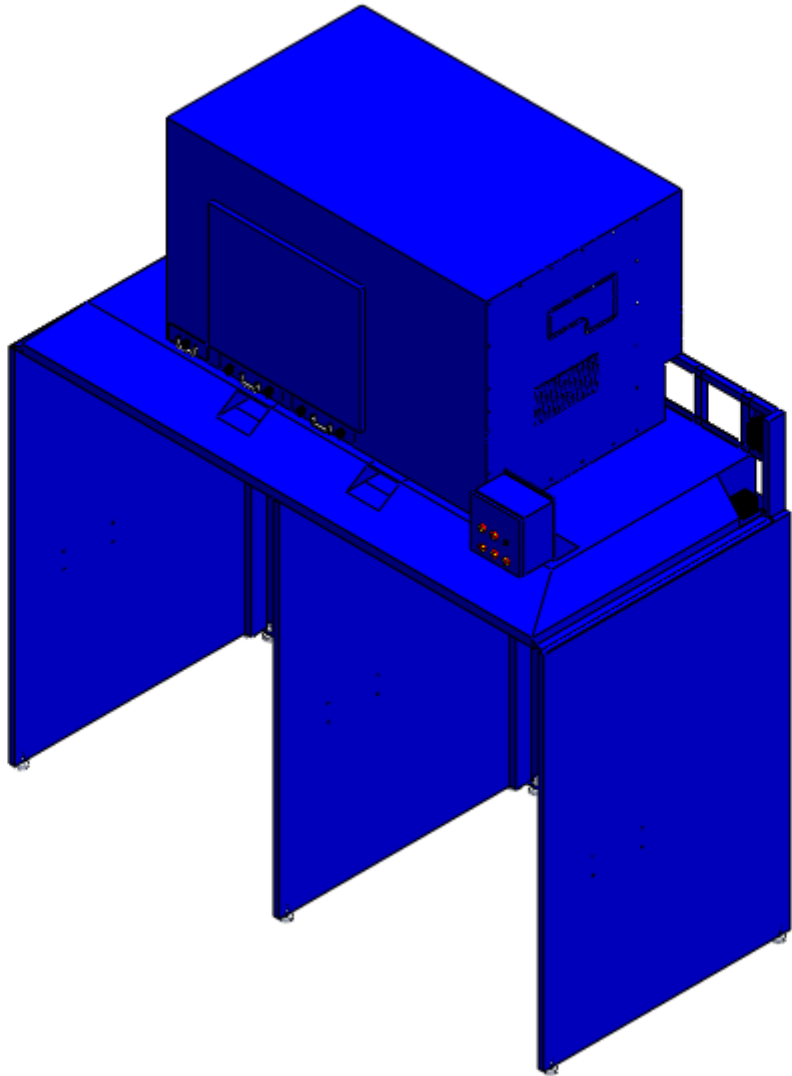


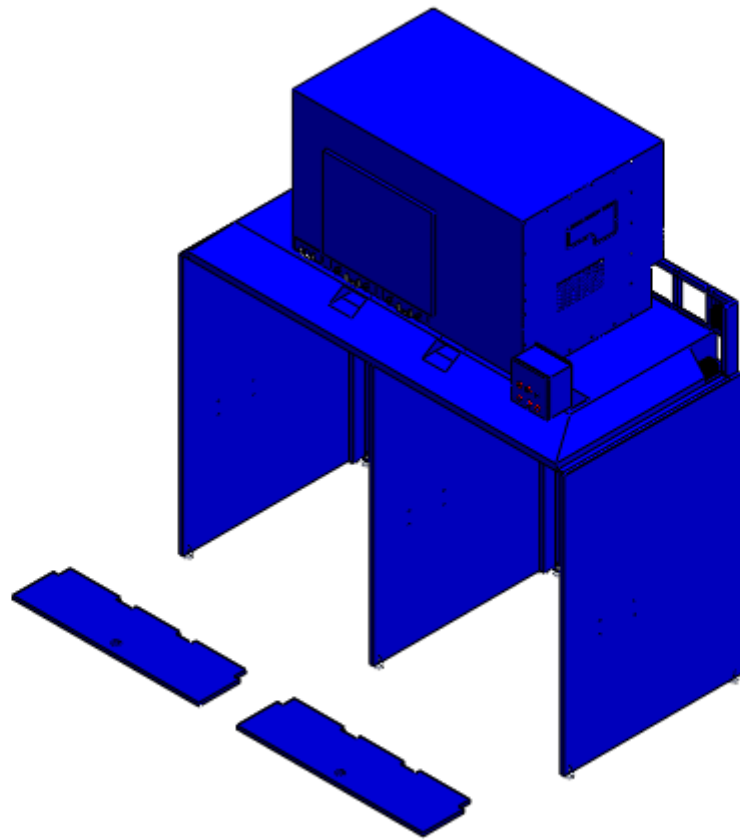


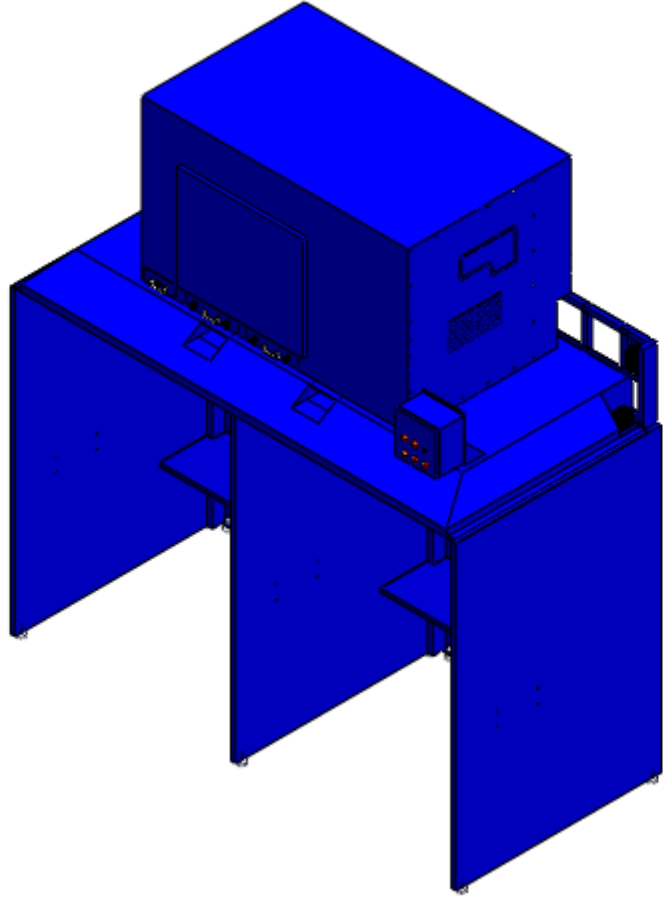


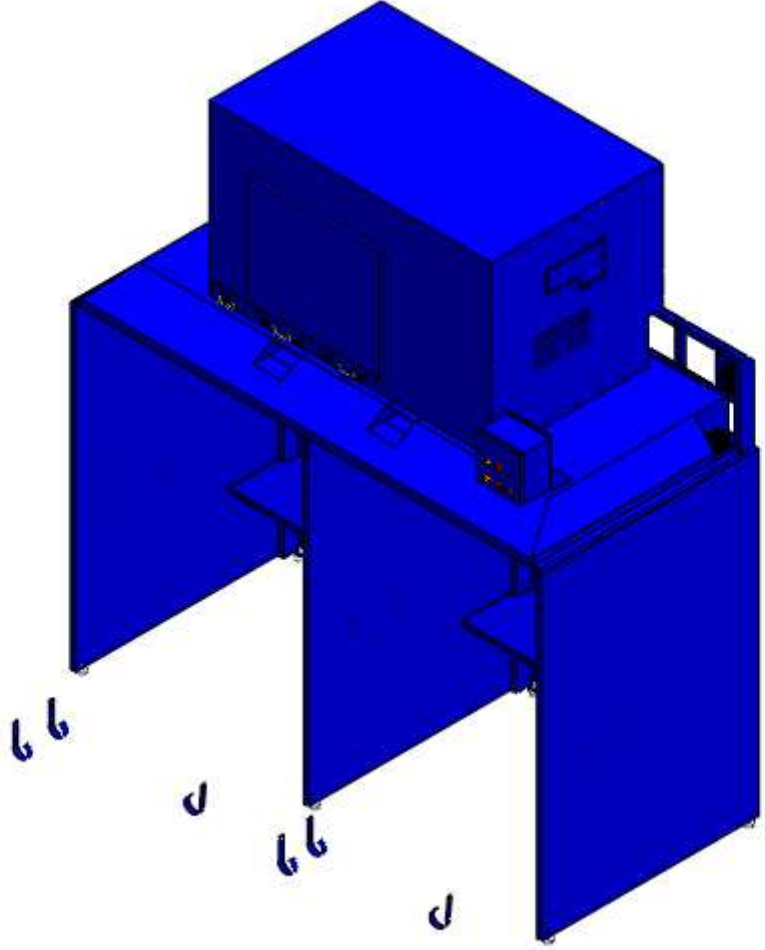


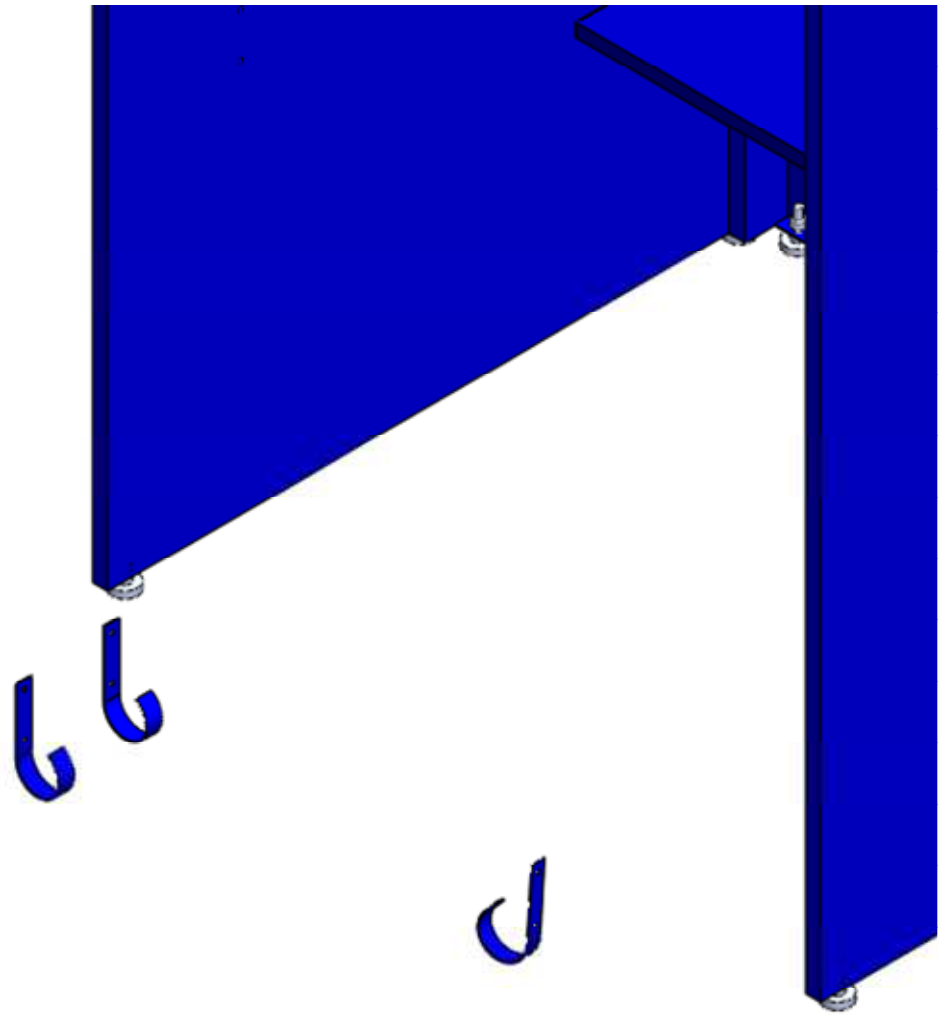
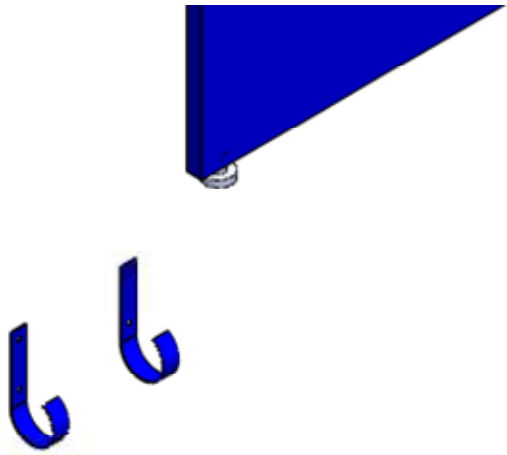


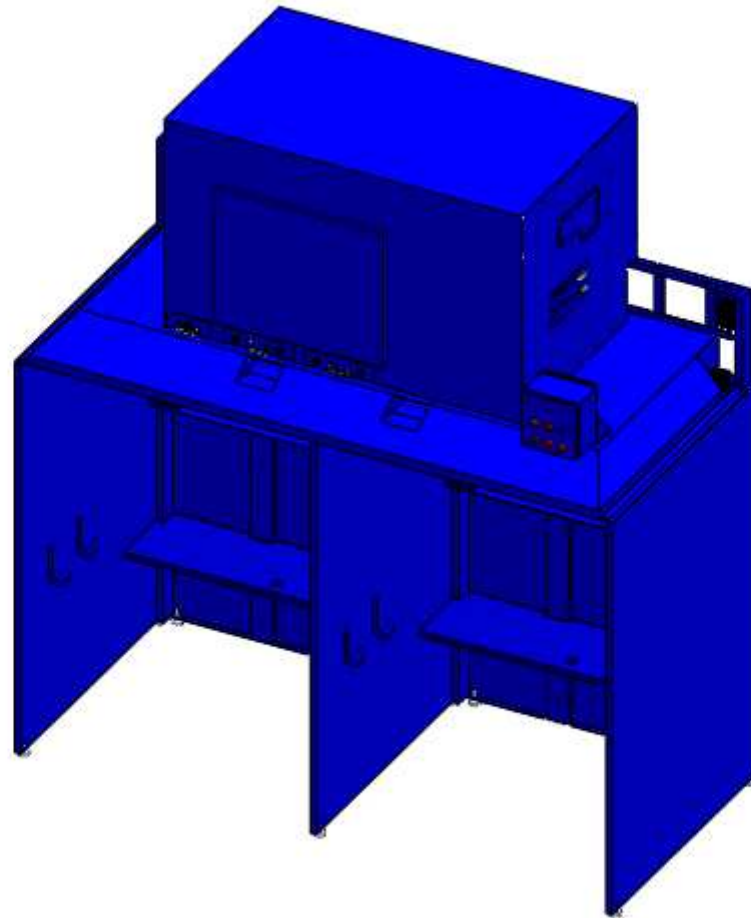






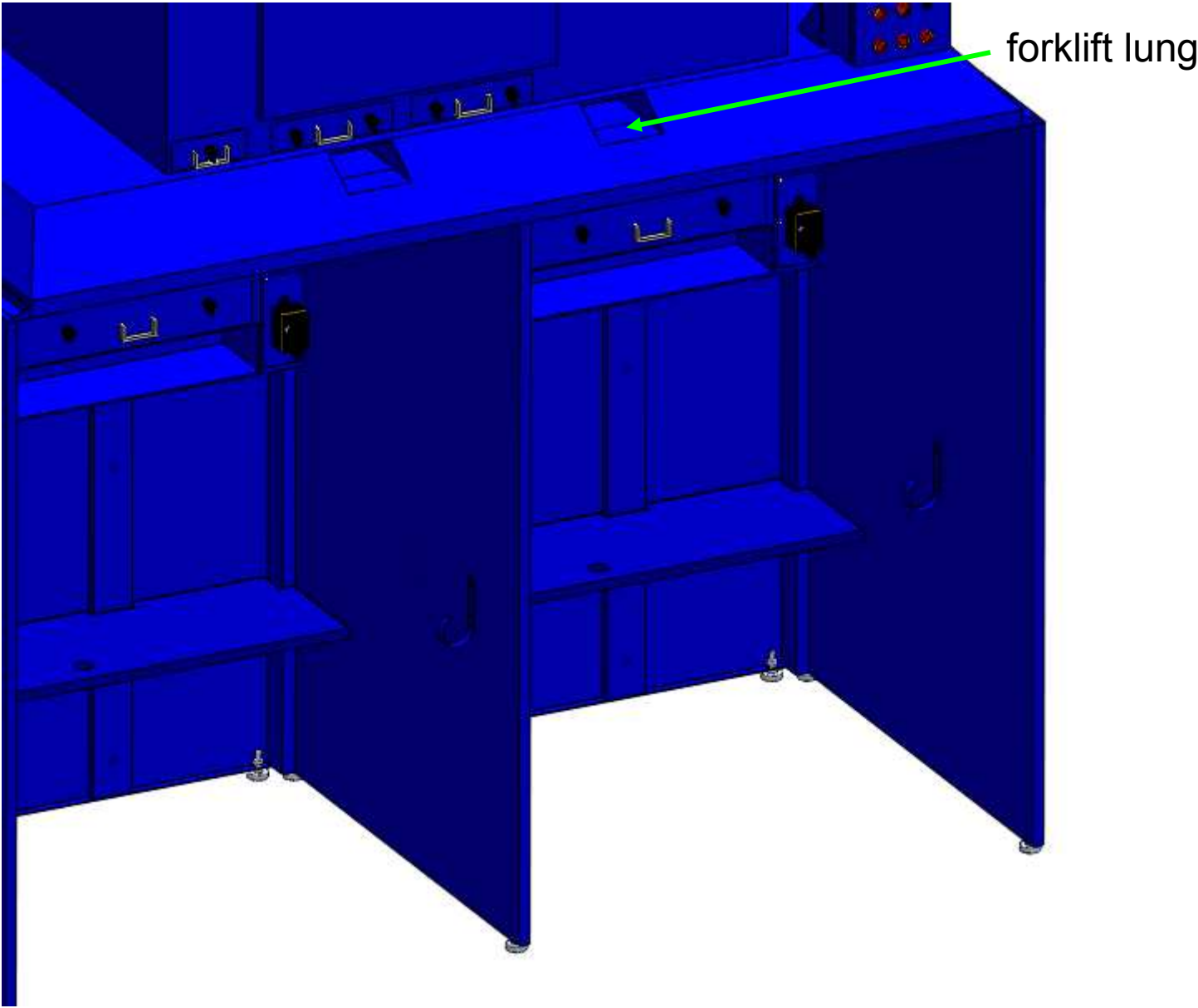






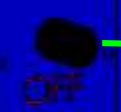
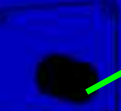
J hooks





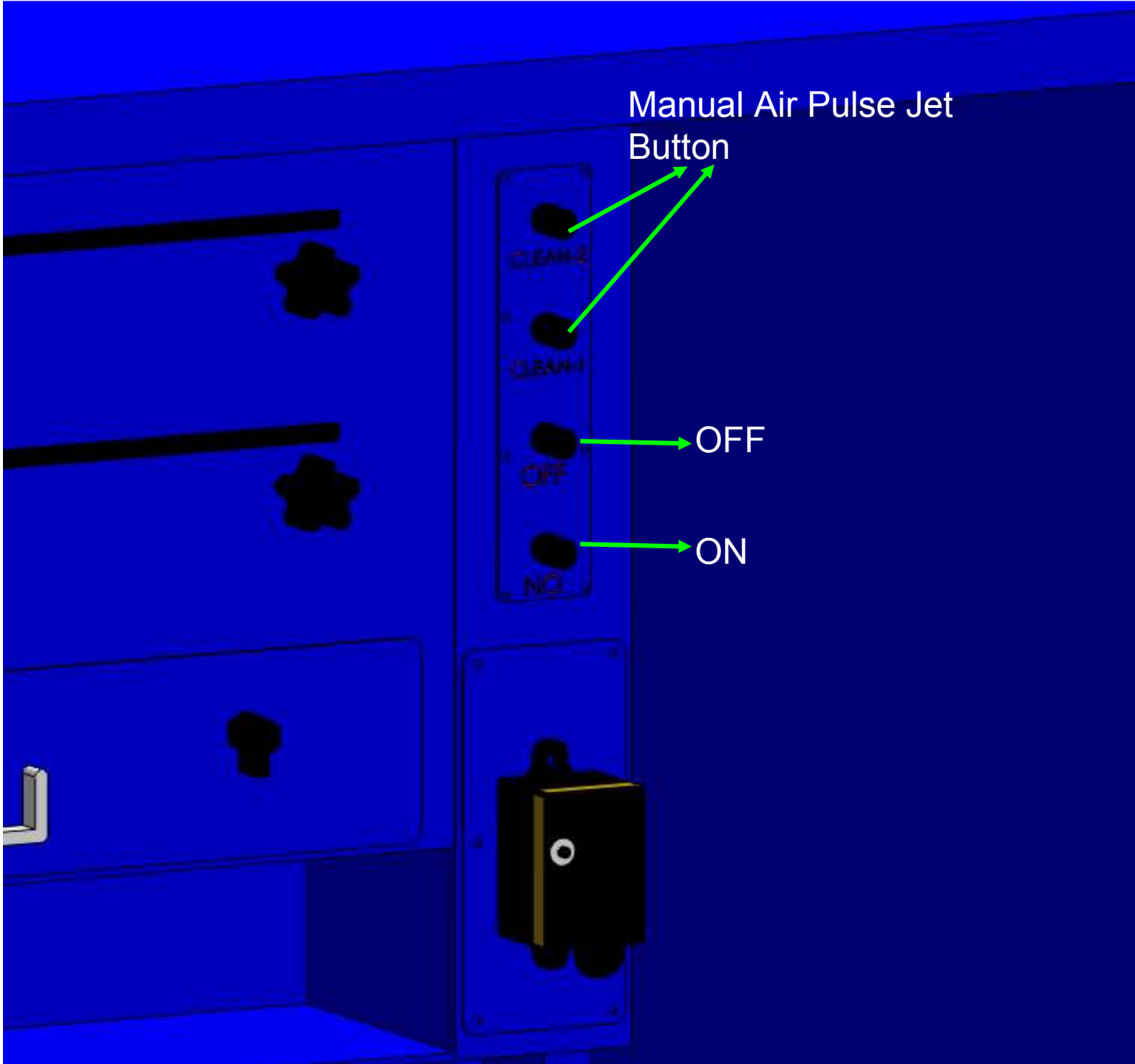
forklift lung

Manual Air Pulse Jet Button



OFF

ON





CO2 and air compressor connector

UL approved control box

