



E-QUOTE

4942 Hammermill Road
Tucker, Ga. 30084

Phone: 770-939-9100
Fax: 770-939-4239

Send To:

Name:	Bob Venezia
Company Name:	Industrial Air Quality
E-Mail:	bvenezia@iaqsales.com
Reference:	Locknivar 95% Filter Housing
Sent From:	Chris Germann (cgermann@thermalrecovery.com)
Date:	Wednesday, October 21, 2009

Number of Pages: 2

Notes:

- a. Based on Contractor Price Request

We are pleased to quote the following products:

1. Camfil-Farr 3P Glide Packs

Includes:

- (1) 3P Glide pack 2 High x 3.5 Wide
- (1) 3P Glide pack 2 High x 3 Wide
- (14) 95% Filters
- (14) 2 pleat roughing filters

Price **\$ 4,422.00**

End of Document, See next page.

Kind Regards,
Chris Germann
404-797-2493

FOB factory -- freight allowed
Sales tax is not included
Terms: net 30 days
Proposal valid for 30 days

Please allow 4-6 weeks ARO for shipment

one of each

TABLE I STANDARD UNIT AIRFLOW RATING

NO. OF FILTERS WIDE	1/2	1	1-1/2	2	2-1/2	3	3-1/2	4	4-1/2	5	5-1/2	6		
WIDTH INCHES	12.00	24.00	36.00	48.00	60.00	72.00	84.00	96.00	108.00	120.00	132.00	144.00	A	
NO. OF FILTERS HIGH	AIRFLOW CAPACITIES (CFM), AT 500 FPM													
1/2	15.25	-	1,000	-	2,000	-	3,000	-	4,000	-	5,000	-	6,000	3.88
1	27.25	1,000	2,000	3,000	4,000	5,000	6,000	7,000	8,000	9,000	10,000	11,000	12,000	3.88
1-1/2	39.50	-	3,000	-	6,000	-	9,000	-	12,000	-	15,000	-	18,000	4.00
2	51.50	2,000	4,000	6,000	8,000	10,000	12,000	14,000	16,000	18,000	20,000	22,000	24,000	4.00
2-1/2	63.75	-	5,000	-	10,000	-	15,000	-	20,000	-	25,000	-	30,000	4.12
3	75.75	3,000	6,000	9,000	12,000	15,000	18,000	21,000	24,000	27,000	30,000	33,000	36,000	4.12
3-1/2	88.00	-	7,000	-	14,000	-	21,000	-	28,000	-	35,000	-	42,000	4.25
4	100.00	4,000	8,000	12,000	16,000	20,000	24,000	28,000	32,000	36,000	40,000	44,000	48,000	4.25

TABLE II FILTER OPTIONS

TYPE	DEPTH	
HI-FLO	15	0
	22	7.00
	30	15.00
	32	17.00
	36	21.00
HP	12	0
	30/30 (4")	3.75 0
ULTRASOLVE	3.75	0
RIGA-FLO (6")	5.88	0
RIGA-FLO (12")	11.50	0
AEROPAC (6")	5.88	0
AEROPAC (12")	11.50	0
DURAFIL	11.50	0
RIGACARB	11.50	0
RIGA-RP	12.31	0

TABLE III G/P HOUSING OPTIONS

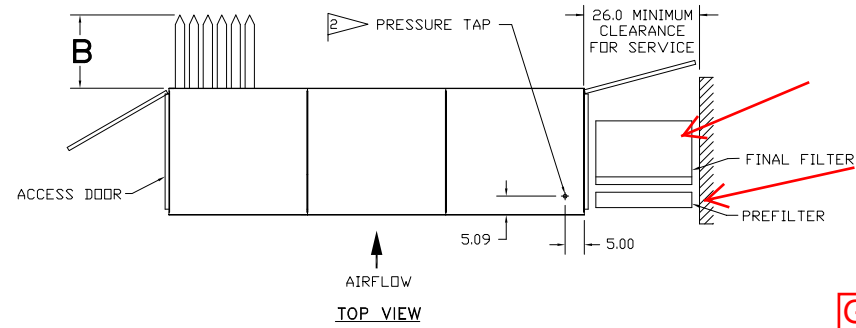
OPTION	DESCRIPTION
3P	STANDARD
3PD	INSULATED DOORS
3PI	FULLY INSULATED
3PH	HIGH PRESSURE (+/- 8" W.G.)
3PF	LESS HOLDING FRAMES
3PHD	HIGH PRESSURE, INSULATED DOORS
3PHI	HIGH PRESSURE, FULLY INSULATED
3PHDF	HIGH PRESSURE, INSULATED DOORS, LESS HOLDING FRAMES
3PHIF	HIGH PRESSURE, FULLY INSULATED, LESS HOLDING FRAMES

TABLE IV MANUFACTURING DRAWINGS

3P	060125	3PH	064244
3PD	073912	3PHD	074376
3PI	075938	3PHI	077835

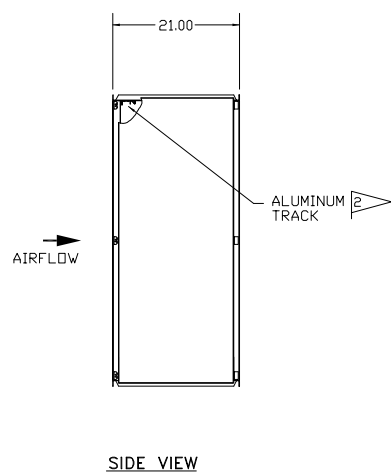
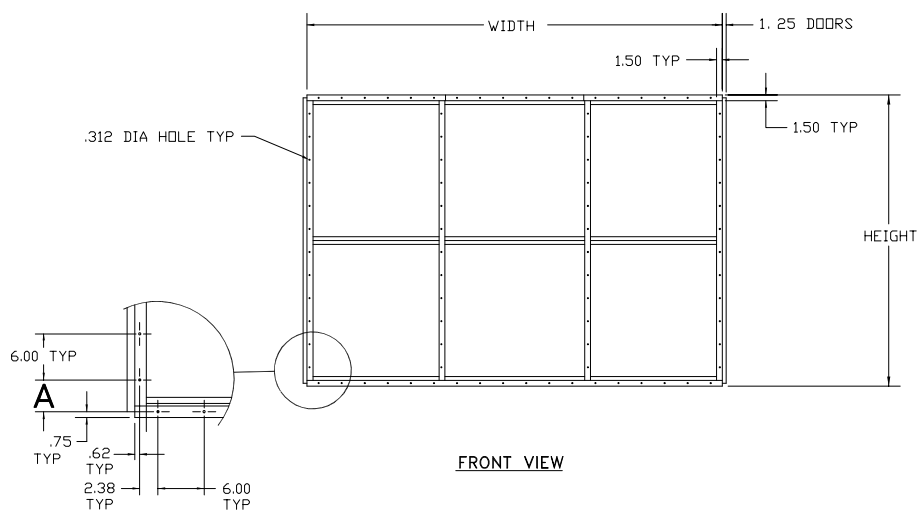
- GENERAL NOTES:**
- UNIT IS COMPLETELY FACTORY ASSEMBLED. FOR CAPACITY REFER TO TABLE I. FOR APPLICATION REFER TO SALES BULLETIN 2401-(LATEST REV.)
 - STANDARD MATERIAL OF CONSTRUCTION: 16GA GALVANIZED STEEL HOUSING, EXTRUDED ALUMINUM TRACKS WITH FIN-SEAL (SEE DWG. 116158), PREFILTER CHANNEL, NEOPRENE DOOR GASKET, PHENOLIC KNOB FOR POSITIVE DOOR SEALING, 18GA GALVANIZED STEEL HOLDING FRAMES AND APPROPRIATE FILTER FASTENERS. PRESSURE TAP IS INSTALLED BETWEEN PREFILTER AND FINAL FILTER. (SEE DWG. 094805).
 - THE HOLDING FRAME IS INTEGRAL PART OF THE RIGA-RP HOUSING, NO FASTENERS REQUIRED.
 - DURAFIL AND RIGA-CARB REQUIRE C-70 FASTENERS WHEN INSTALLED IN HOLDING FRAME.
 - HOUSING OPTIONS: (SPECIAL PRICING AND PART NUMBERS REQUIRED).
 - 16GA 304 OR 316 STAINLESS STEEL HOUSING AND EXTRUDED ALUMINUM TRACKS.
 - PRIMED ONLY (OR PRIMED AND PAINTED) INSIDE, OUTSIDE OR BOTH.
 - FIVE (5) FILTERS HIGH MAXIMUM AS ONE PIECE CONSTRUCTION.
 - OTHER SPECIAL OPTIONS REQUIRE CAMFIL FARR ENGINEERING CONSULTATION.
 - SEE TABLE II FOR FILTER OPTIONS. FILTERS ARE NOT INCLUDED WITH HOUSING, ORDER SEPARATELY.

- PERFORMANCE NOTES:**
- STANDARD HOUSING OPERATING PRESSURE TO +/- 3" W.G. WITH LESS THAN 0.5% LEAKAGE INTO HOUSING FRAME. LEAKAGE AROUND FILTER LESS THAN 1% AT 3" W.G. DIFFERENTIAL AT 2,000 CFM FOR 1X1 UNIT.
 - OPERATING TEMPERATURE 250°F CONTINUOUS. MEETS NFPA 90A AND TESTED PER ASTM-E84.
 - INSULATION ON INSULATED UNITS IS 1" THICK AND IS RATED AT 0.25-0.30 "K" FACTOR.
 - RECOMMENDED PRESSURE GAUGE ACCURACY TO BE +/- 3% FROM 0.0-6.0 W.G.



G/P 3P PH 2x3 and 2x3.5

- "B" DIMENSION (EXTENSION PAST HOUSING) IS BASED ON FILTERS IN HOLDING FRAME, IF FILTER HEADER IS INSTALLED DIRECTLY IN THE ALUMINUM EXTRUSION TRACK CHANNEL (FRAMELESS UNIT) THEN "B" DIMENSION WILL BE APPROXIMATELY 1.25" LESS.
- ORDERING INFORMATION: SPECIFY MODEL, SIZE AND TYPE OF FINAL FILTER FOR WHICH HARDWARE AND/OR FASTENERS SHOULD BE FURNISHED. EXAMPLE: GLIDE/PACK 3PHI RIGA-FLO 12 BOX STYLE 2X4.5 (G/P 3PHI RF12 2X4.5)
 - FILTERS HIGH X WIDE
 - FINAL FILTER
 - OPTION HIGH PRESSURE INSULATED
 - GLIDE/PACK



R	08/03/06	REVISED PER SALES	14955-AM	AC	CAM	Cesort
A	06/27/75	FIRST ISSUE	7691-A	-	-	-
REV	DATE	DESCRIPTION	EWD	DFT	CK	APP



DESCRIPTION
GLIDE/PACK 3P, 3PD, 3PI, 3PH, 3PF, 3PHD, 3PHI, 3PHDF & 3PHIF
1/2 THRU 4 HIGH

SHEET	DRAWING NUMBER	REV
1 OF 1	060126	R

MFG. DWG. (SEE TABLE IV)